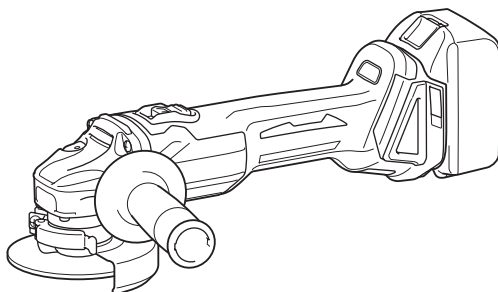
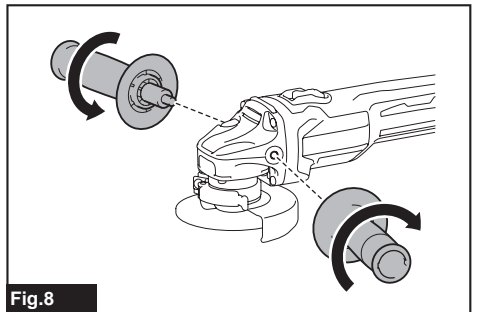
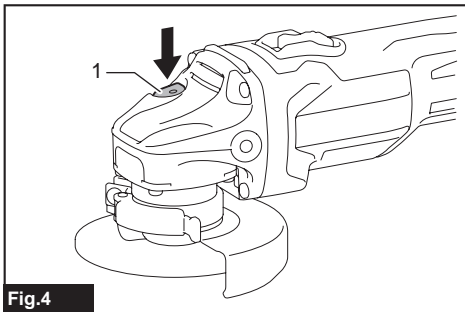
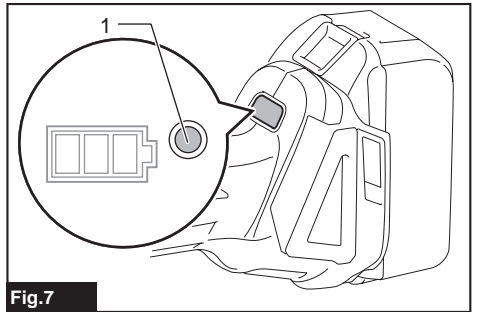
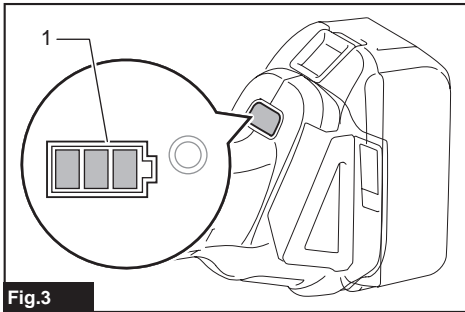
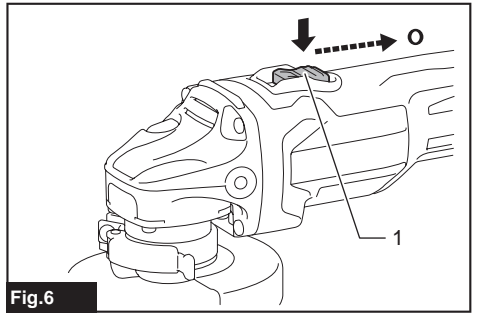
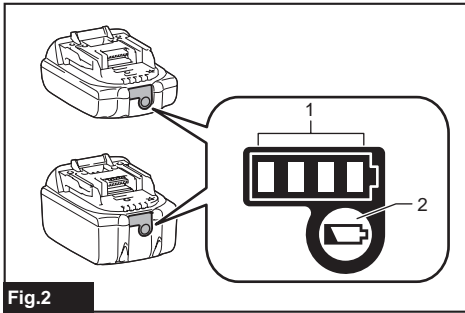
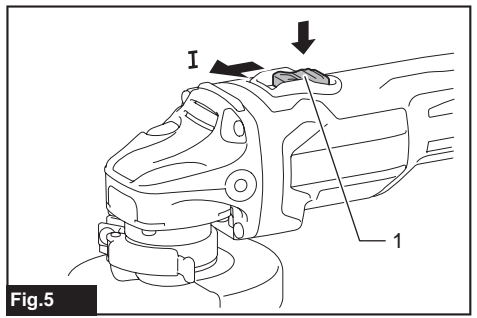
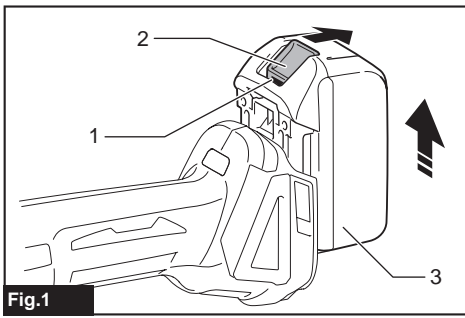


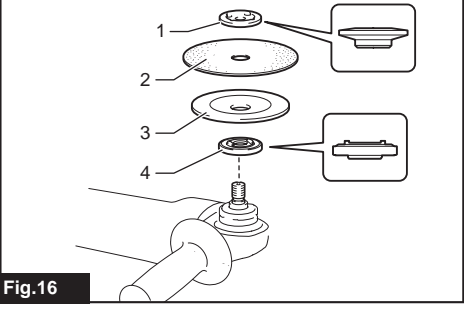
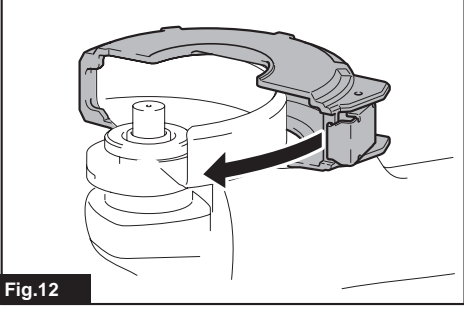
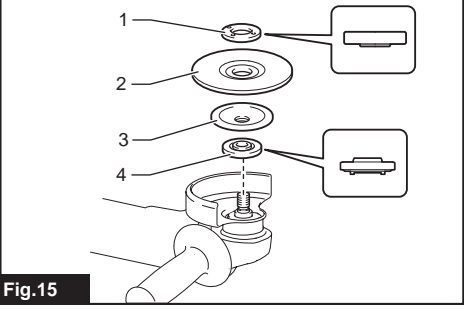
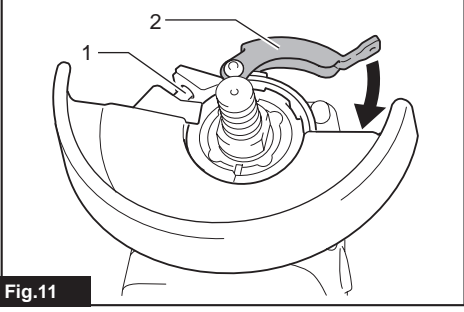
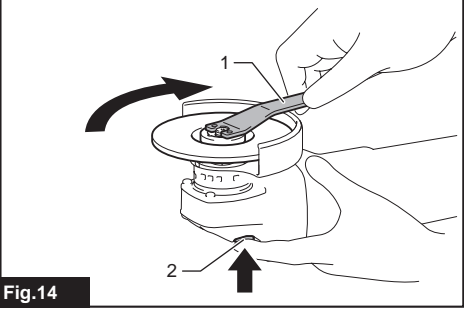
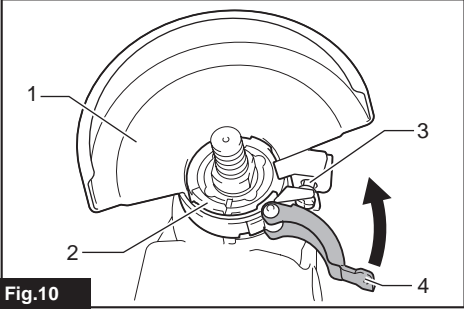
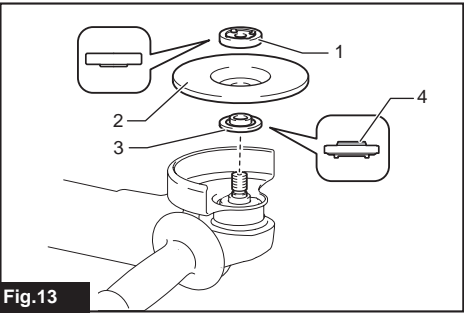
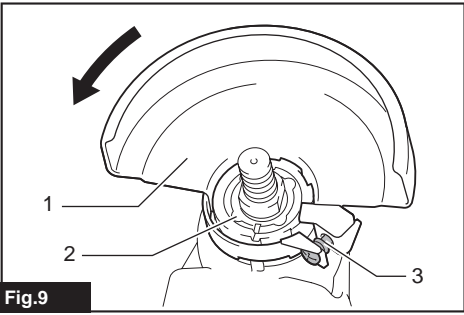


EN	Cordless Angle Grinder	INSTRUCTION MANUAL	7
SL	Brezžični kotni brusilnik	NAVODILA ZA UPORABO	21
SQ	Rektifikuesi me kënd me bateri	MANUALI I PËRDORIMIT	35
BG	Акумулаторен ъглошлайф	РЪКОВОДСТВО ЗА ЕКСПЛОАТАЦИЯ	50
HR	Bežična kutna brusilica	PRIRUČNIK S UPUTAMA	67
MK	Безжична брусилка за агли	УПАТСТВО ЗА УПОТРЕБА	81
SR	Бежична угаона брусилца	УПУТСТВО ЗА УПОТРЕБУ	97
RO	Polizor unghiular cu acumulator	MANUAL DE INSTRUCȚIUNI	112
UK	Бездротова кутова шліфувальна машина	ІНСТРУКЦІЯ З ЕКСПЛУАТАЦІЇ	127
RU	Аккумуляторная угловая шлифмашина	РУКОВОДСТВО ПО ЭКСПЛУАТАЦИИ	143

DGA406
DGA456
DGA506







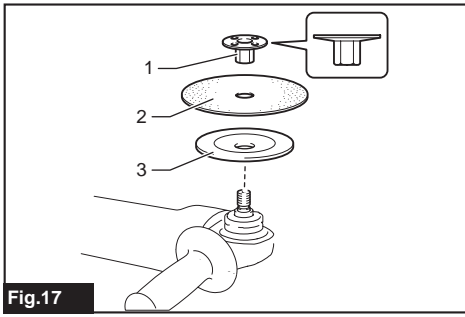


Fig.17

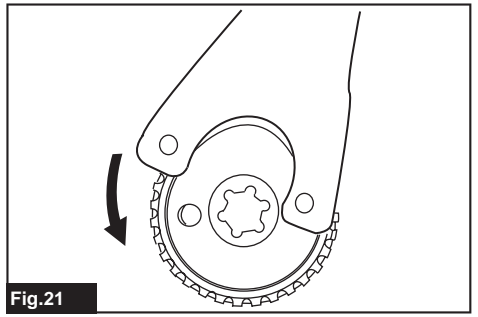


Fig.21

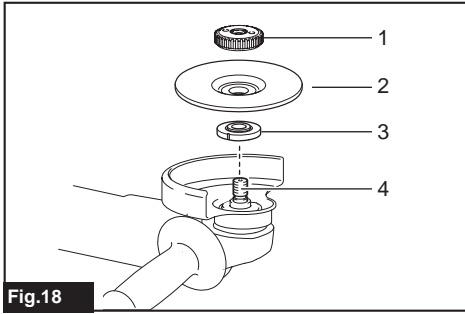


Fig.18

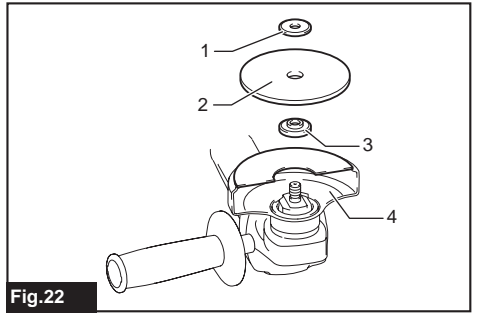


Fig.22

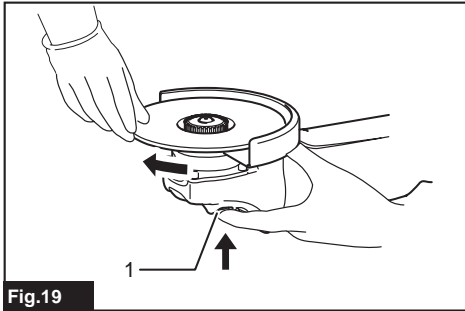


Fig.19

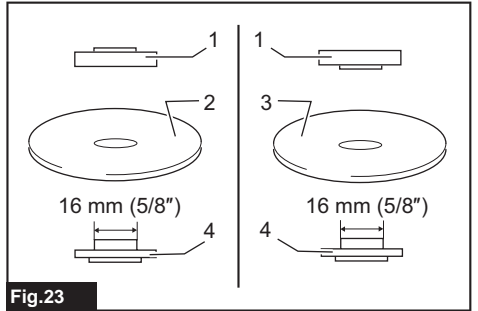


Fig.23

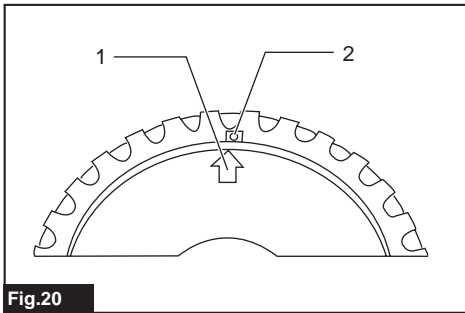


Fig.20

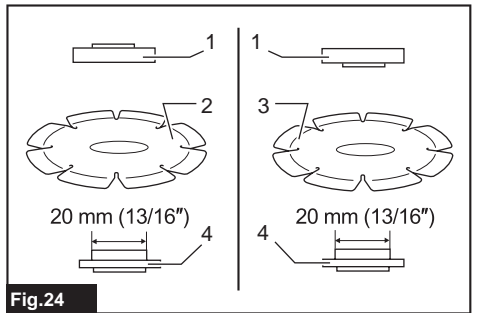


Fig.24

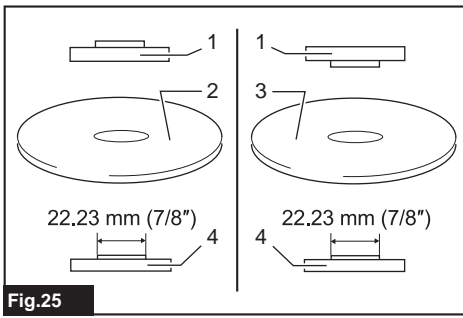


Fig.25

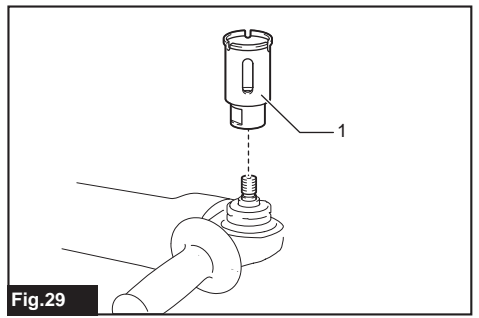


Fig.29

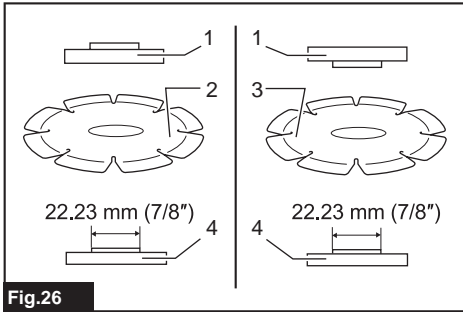


Fig.26

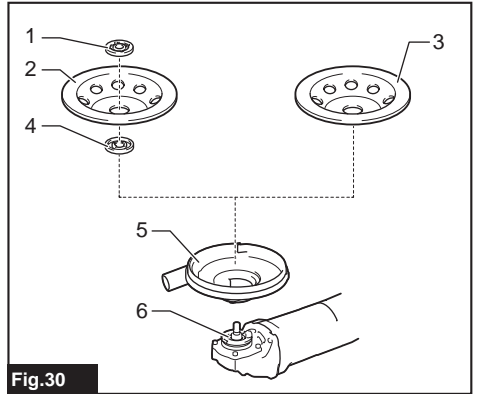


Fig.30

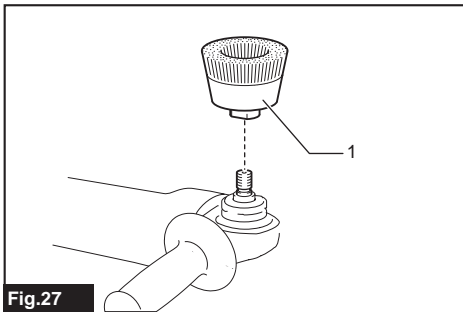


Fig.27

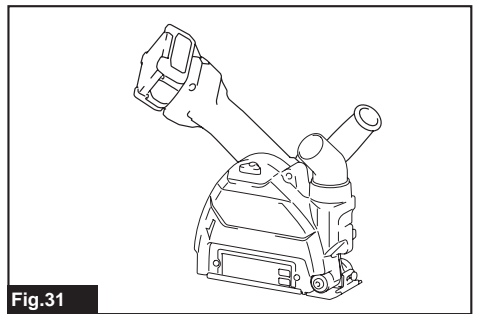


Fig.31

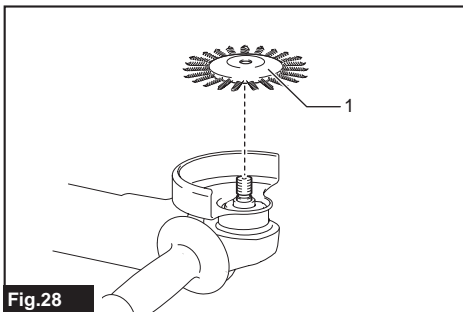


Fig.28

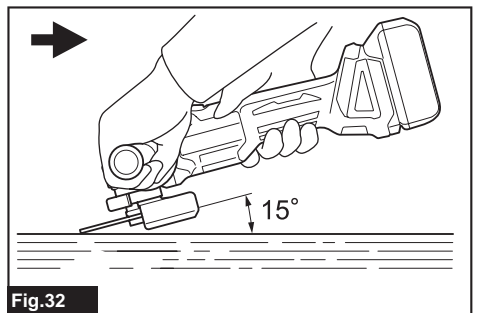
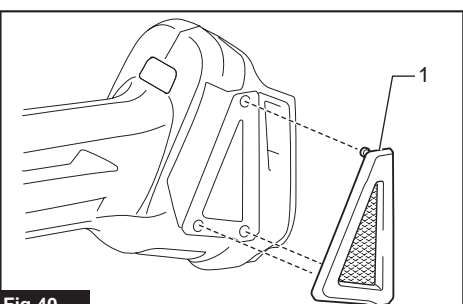
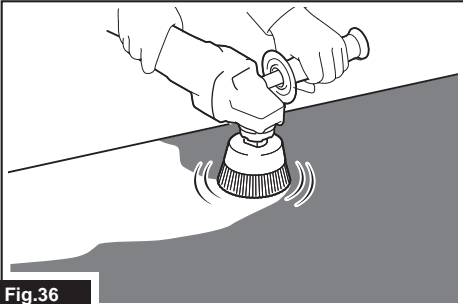
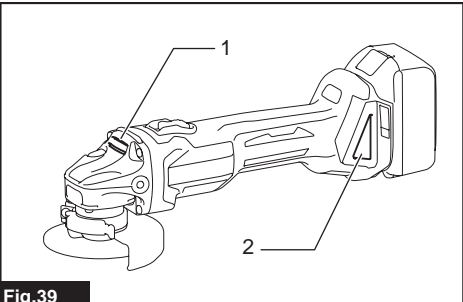
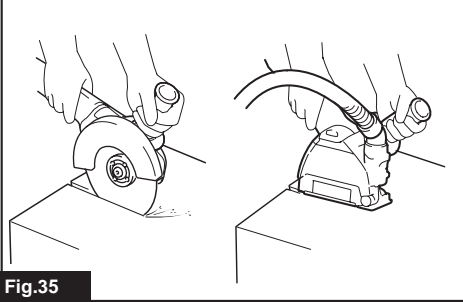
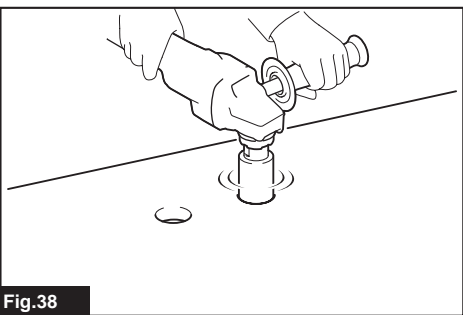
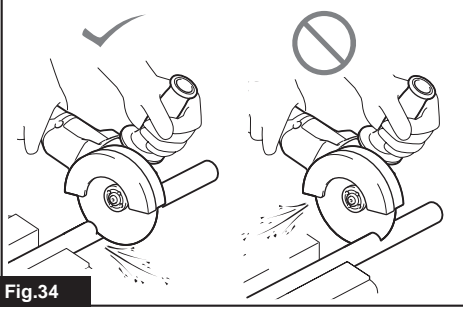
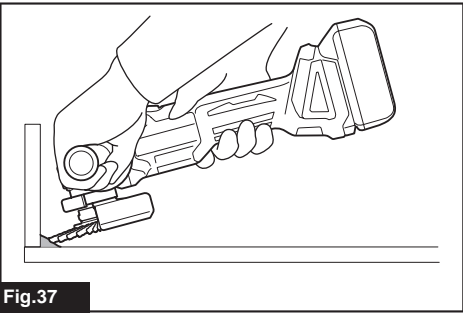
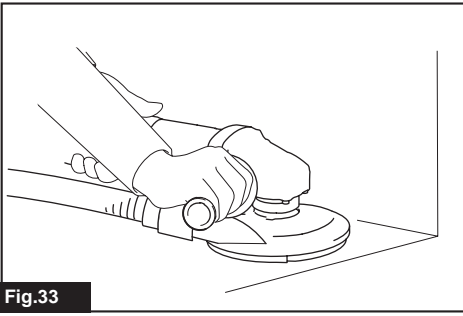


Fig.32



SPECIFICATIONS

Model:		DGA406	DGA456	DGA506
Applicable grinding wheel	Max. wheel diameter	100 mm	115 mm	125 mm
	Max. wheel thickness	6.4 mm	7.2 mm	
Applicable cut-off wheel	Max. wheel diameter	105 mm	115 mm	125 mm
	Max. wheel thickness	3.2 mm		
Applicable wire wheel brush	Max. wheel diameter	100 mm	115 mm	125 mm
	Max. wheel thickness	20 mm		
Spindle thread		M10	M14 or 5/8" (country specific)	
Max. spindle length		18 mm	23 mm	
No load speed (n ₀) / Rated speed (n)		8,500 min ⁻¹		
Overall length	with BL1840B	362 mm		
Net weight		2.2 - 3.7 kg	2.3 - 3.8 kg	2.4 - 3.8 kg
Rated voltage		D.C. 18 V		

- Due to our continuing program of research and development, the specifications herein are subject to change without notice.
- Specifications may differ from country to country.
- The weight may differ depending on the attachment(s), including the battery cartridge. The lightest and heaviest combinations, according to EPTA-Procedure 01/2014, are shown in the table.

Applicable battery cartridge and charger

Battery cartridge	BL1815N / BL1820B / BL1830B / BL1840B / BL1850B / BL1860B
Charger	DC18RC / DC18RD / DC18RE / DC18SD / DC18SE / DC18SF / DC18SH / DC18WC

- Some of the battery cartridges and chargers listed above may not be available depending on your region of residence.

⚠ WARNING: Only use the battery cartridges and chargers listed above. Use of any other battery cartridges and chargers may cause injury and/or fire.

Recommended cord connected power source

Portable power pack	PDC01
---------------------	-------

- The cord connected power source(s) listed above may not be available depending on your region of residence.
- Before using the cord connected power source, read instruction and cautionary markings on them.

Symbols

The followings show the symbols which may be used for the equipment. Be sure that you understand their meaning before use.

	Read instruction manual.
	Wear safety glasses.
	Always operate with two hands.
	Do not use the wheel guard for cut-off operations.



Only for EU countries
 Due to the presence of hazardous components in the equipment, waste electrical and electronic equipment, accumulators and batteries may have a negative impact on the environment and human health. Do not dispose of electrical and electronic appliances or batteries with household waste! In accordance with the European Directive on waste electrical and electronic equipment and on accumulators and batteries and waste accumulators and batteries, as well as their adaptation to national law, waste electrical equipment, batteries and accumulators should be stored separately and delivered to a separate collection point for municipal waste, operating in accordance with the regulations on environmental protection.
 This is indicated by the symbol of the crossed-out wheeled bin placed on the equipment.

Intended use

The tool is intended for grinding, sanding, wire brushing, hole cutting and cutting of metal and stone materials without the use of water.

Noise

The typical A-weighted noise level determined according to EN62841-2-3:

Model	Sound pressure level ($L_{p(A)}$) : (dB(A))	Sound power level ($L_{w(A)}$) : (dB(A))	Uncertainty (K) : (dB(A))
DGA406	83	91	3
DGA456	82	90	3
DGA506	82	90	3

NOTE: The declared noise emission value(s) has been measured in accordance with a standard test method and may be used for comparing one tool with another.

NOTE: The declared noise emission value(s) may also be used in a preliminary assessment of exposure.

⚠ WARNING: Wear ear protection.

⚠ WARNING: The noise emission during actual use of the power tool can differ from the declared value(s) depending on the ways in which the tool is used especially what kind of workpiece is processed.

⚠ WARNING: Be sure to identify safety measures to protect the operator that are based on an estimation of exposure in the actual conditions of use (taking account of all parts of the operating cycle such as the times when the tool is switched off and when it is running idle in addition to the trigger time).

⚠ WARNING: Grinding thin sheets of metal or other easily vibrating structures with a large surface can result in a total noise emission much higher (up to 15 dB) than the declared noise emission values.

Set heavy flexible damping mats or such to those workpieces to prevent them from emitting sound.

Take the increased noise emission into consideration for both the risk assessment of noise exposure and selecting adequate hearing protection.

Vibration

The vibration total value (tri-axial vector sum) determined according to EN62841-2-3:

Work mode: surface grinding with normal side grip

Model	Vibration emission ($a_{hv, AG}$) : (m/s ²)	Uncertainty (K) : (m/s ²)
DGA406	4.5	1.5
DGA456	6.5	1.5
DGA506	6.5	1.5

Work mode: surface grinding with anti vibration side grip

Model	Vibration emission ($a_{hv, AG}$) : (m/s ²)	Uncertainty (K) : (m/s ²)
DGA406	4.0	1.5
DGA456	6.0	1.5
DGA506	6.0	1.5

Work mode: disc sanding with normal side grip

Model	Vibration emission ($a_{hv, DS}$) : (m/s ²)	Uncertainty (K) : (m/s ²)
DGA406	2.5 m/s ² or less	1.5
DGA456	2.5 m/s ² or less	1.5
DGA506	2.5 m/s ² or less	1.5

Work mode: disc sanding with anti vibration side grip

Model	Vibration emission ($a_{hv, DS}$) : (m/s ²)	Uncertainty (K) : (m/s ²)
DGA406	2.5 m/s ² or less	1.5
DGA456	2.5 m/s ² or less	1.5
DGA506	2.5 m/s ² or less	1.5

NOTE: The declared vibration total value(s) has been measured in accordance with a standard test method and may be used for comparing one tool with another.

NOTE: The declared vibration total value(s) may also be used in a preliminary assessment of exposure.

⚠ WARNING: The vibration emission during actual use of the power tool can differ from the declared value(s) depending on the ways in which the tool is used especially what kind of workpiece is processed.

⚠ WARNING: Be sure to identify safety measures to protect the operator that are based on an estimation of exposure in the actual conditions of use (taking account of all parts of the operating cycle such as the times when the tool is switched off and when it is running idle in addition to the trigger time).

⚠ WARNING: The declared vibration emission value is used for main applications of the power tool. However if the power tool is used for other applications, the vibration emission value may be different.

EC Declaration of Conformity

For European countries only

The EC declaration of conformity is included as Annex A to this instruction manual.

SAFETY WARNINGS

General power tool safety warnings

⚠ WARNING Read all safety warnings, instructions, illustrations and specifications provided with this power tool. Failure to follow all instructions listed below may result in electric shock, fire and/or serious injury.

Save all warnings and instructions for future reference.

The term "power tool" in the warnings refers to your mains-operated (corded) power tool or battery-operated (cordless) power tool.

Cordless grinder safety warnings

Safety warnings common for grinding, sanding, wire brushing, or cutting-off operations:

- 1. This power tool is intended to function as a grinder, sander, wire brush, hole cutter or cut-off tool. Read all safety warnings, instructions, illustrations and specifications provided with this power tool.** Failure to follow all instructions listed below may result in electric shock, fire and/or serious injury.
- 2. Operations such as polishing are not to be performed with this power tool.** Operations for which the power tool was not designed may create a hazard and cause personal injury.
- 3. Do not convert this power tool to operate in a way which is not specifically designed and specified by the tool manufacturer.** Such a conversion may result in a loss of control and cause serious personal injury.
- 4. Do not use accessories which are not specifically designed and specified by the tool manufacturer.** Just because the accessory can be attached to your power tool, it does not assure safe operation.
- 5. The rated speed of the accessory must be at least equal to the maximum speed marked on the power tool.** Accessories running faster than their rated speed can break and fly apart.
- 6. The outside diameter and the thickness of your accessory must be within the capacity rating of your power tool.** Incorrectly sized accessories cannot be adequately guarded or controlled.
- 7. The dimensions of the accessory mounting must fit the dimensions of the mounting hardware of the power tool.** Accessories that do not match the mounting hardware of the power tool will run out of balance, vibrate excessively and may cause loss of control.
- 8. Do not use a damaged accessory. Before each use inspect the accessory such as abrasive wheels for chips and cracks, backing pad for cracks, tear or excess wear, wire brush for loose or cracked wires. If power tool or accessory is dropped, inspect for damage or install an undamaged accessory. After inspecting and installing an accessory, position yourself and bystanders away from the plane of the rotating accessory and run the power tool at maximum no-load speed for one minute.** Damaged accessories will normally break apart during this test time.
- 9. Wear personal protective equipment. Depending on application, use face shield, safety goggles or safety glasses. As appropriate, wear dust mask, hearing protectors, gloves and workshop apron capable of stopping small abrasive or workpiece fragments.** The eye protection must be capable of stopping flying debris generated by various applications. The dust mask or respirator must be capable of filtering particles generated by the particular application. Prolonged exposure to high intensity noise may cause hearing loss.
- 10. Keep bystanders a safe distance away from work area. Anyone entering the work area must wear personal protective equipment.** Fragments of workpiece or of a broken accessory may fly away and cause injury beyond immediate area of operation.
- 11. Hold the power tool by insulated gripping surfaces only, when performing an operation where the cutting tool may contact hidden wiring.** Contact with a "live" wire will also make exposed metal parts of the power tool "live" and could give the operator an electric shock.

12. **Never lay the power tool down until the accessory has come to a complete stop.** The spinning accessory may grab the surface and pull the power tool out of your control.
13. **Do not run the power tool while carrying it at your side.** Accidental contact with the spinning accessory could snag your clothing, pulling the accessory into your body.
14. **Regularly clean the power tool's air vents.** The motor's fan will draw the dust inside the housing and excessive accumulation of powdered metal may cause electrical hazards.
15. **Do not operate the power tool near flammable materials.** Sparks could ignite these materials.
16. **Do not use accessories that require liquid coolants.** Using water or other liquid coolants may result in electrocution or shock.
2. **The grinding surface of centre depressed wheels must be mounted below the plane of the guard lip.** An improperly mounted wheel that projects through the plane of the guard lip cannot be adequately protected.
3. **The guard must be securely attached to the power tool and positioned for maximum safety, so the least amount of wheel is exposed towards the operator.** The guard helps to protect the operator from broken wheel fragments, accidental contact with wheel and sparks that could ignite clothing.
4. **Wheels must be used only for specified applications. For example: do not grind with the side of cut-off wheel.** Abrasive cut-off wheels are intended for peripheral grinding, side forces applied to these wheels may cause them to shatter.

Kickback and related warnings:

Kickback is a sudden reaction to a pinched or snagged rotating wheel, backing pad, brush or any other accessory. Pinching or snagging causes rapid stalling of the rotating accessory which in turn causes the uncontrolled power tool to be forced in the direction opposite of the accessory's rotation at the point of the binding. For example, if an abrasive wheel is snagged or pinched by the workpiece, the edge of the wheel that is entering into the pinch point can dig into the surface of the material causing the wheel to climb out or kick out. The wheel may either jump toward or away from the operator, depending on direction of the wheel's movement at the point of pinching. Abrasive wheels may also break under these conditions.

Kickback is the result of power tool misuse and/or incorrect operating procedures or conditions and can be avoided by taking proper precautions as given below.

1. **Maintain a firm grip with both hands on the power tool and position your body and arms to allow you to resist kickback forces. Always use auxiliary handle, if provided, for maximum control over kickback or torque reaction during start-up.** The operator can control torque reactions or kickback forces, if proper precautions are taken.
2. **Never place your hand near the rotating accessory.** Accessory may kickback over your hand.
3. **Do not position your body in the area where power tool will move if kickback occurs.** Kickback will propel the tool in direction opposite to the wheel's movement at the point of snagging.
4. **Use special care when working corners, sharp edges, etc. Avoid bouncing and snagging the accessory.** Corners, sharp edges or bouncing have a tendency to snag the rotating accessory and cause loss of control or kickback.
5. **Do not attach a saw chain woodcarving blade, segmented diamond wheel with a peripheral gap greater than 10 mm or toothed saw blade.** Such blades create frequent kickback and loss of control.

Safety warnings specific for grinding and cutting-off operations:

1. **Use only wheel types that are specified for your power tool and the specific guard designed for the selected wheel.** Wheels for which the power tool was not designed cannot be adequately guarded and are unsafe.

5. **Always use undamaged wheel flanges that are of correct size and shape for your selected wheel.** Proper wheel flanges support the wheel thus reducing the possibility of wheel breakage. Flanges for cut-off wheels may be different from grinding wheel flanges.
6. **Do not use worn down wheels from larger power tools.** A wheel intended for larger power tool is not suitable for the higher speed of a smaller tool and may burst.
7. **When using dual purpose wheels always use the correct guard for the application being performed.** Failure to use the correct guard may not provide the desired level of guarding, which could lead to serious injury.

Additional safety warnings specific for cutting-off operations:

1. **Do not "jam" the cut-off wheel or apply excessive pressure. Do not attempt to make an excessive depth of cut.** Overstressing the wheel increases the loading and susceptibility to twisting or binding of the wheel in the cut and the possibility of kickback or wheel breakage.
2. **Do not position your body in line with and behind the rotating wheel.** When the wheel, at the point of operation, is moving away from your body, the possible kickback may propel the spinning wheel and the power tool directly at you.
3. **When the wheel is binding or when interrupting a cut for any reason, switch off the power tool and hold it motionless until the wheel comes to a complete stop. Never attempt to remove the cut-off wheel from the cut while the wheel is in motion otherwise kickback may occur.** Investigate and take corrective action to eliminate the cause of wheel binding.
4. **Do not restart the cutting operation in the workpiece. Let the wheel reach full speed and carefully re-enter the cut.** The wheel may bind, walk up or kickback if the power tool is restarted in the workpiece.
5. **Support panels or any oversized workpiece to minimize the risk of wheel pinching and kickback.** Large workpieces tend to sag under their own weight. Supports must be placed under the workpiece near the line of cut and near the edge of the workpiece on both sides of the wheel.

6. **Use extra caution when making a “pocket cut” into existing walls or other blind areas.** The protruding wheel may cut gas or water pipes, electrical wiring or objects that can cause kickback.
7. **Do not attempt to do curved cutting.** Overstressing the wheel increases the loading and susceptibility to twisting or binding of the wheel in the cut and the possibility of kickback or wheel breakage, which can lead to serious injury.
8. **Before using a segmented diamond wheel, make sure that the diamond wheel has the peripheral gap between segments of 10 mm or less, only with a negative rake angle.**
12. **Use only flanges specified for this tool.**
13. **For tools intended to be fitted with threaded hole wheel, ensure that the thread in the wheel is long enough to accept the spindle length.**
14. **Check that the workpiece is properly supported.**
15. **Pay attention that the wheel continues to rotate after the tool is switched off.**
16. **If working place is extremely hot and humid, or badly polluted by conductive dust, use a short-circuit breaker (30 mA) to assure operator safety.**

Safety warnings specific for sanding operations:

1. **Use proper sized sanding disc paper. Follow manufacturers recommendations, when selecting sanding paper.** Larger sanding paper extending too far beyond the sanding pad presents a laceration hazard and may cause snagging, tearing of the disc or kickback.

Safety warnings specific for wire brushing operations:

1. **Be aware that wire bristles are thrown by the brush even during ordinary operation. Do not overstress the wires by applying excessive load to the brush.** The wire bristles can easily penetrate light clothing and/or skin.
2. **If the use of a guard is specified for wire brushing, do not allow any interference of the wire wheel or brush with the guard.** Wire wheel or brush may expand in diameter due to work load and centrifugal forces.

Additional Safety Warnings:

1. **When using depressed centre grinding wheels, be sure to use only fiberglass-reinforced wheels.**
2. **NEVER USE Stone Cup type wheels with this grinder.** This grinder is not designed for these types of wheels and the use of such a product may result in serious personal injury.
3. **Be careful not to damage the spindle, the flange (especially the installing surface) or the lock nut.** Damage to these parts could result in wheel breakage.
4. **Make sure the wheel is not contacting the workpiece before the switch is turned on.**
5. **Before using the tool on an actual workpiece, let it run for a while. Watch for vibration or wobbling that could indicate poor installation or a poorly balanced wheel.**
6. **Use the specified surface of the wheel to perform the grinding.**
7. **Do not leave the tool running. Operate the tool only when hand-held.**
8. **Do not touch the workpiece immediately after operation; it may be extremely hot and could burn your skin.**
9. **Do not touch accessories immediately after operation; it may be extremely hot and could burn your skin.**
10. **Observe the instructions of the manufacturer for correct mounting and use of wheels. Handle and store wheels with care.**
11. **Do not use separate reducing bushings or adaptors to adapt large hole abrasive wheels.**

17. **Do not use the tool on any materials containing asbestos.**
18. **When use cut-off wheel, always work with the dust collecting wheel guard if required by domestic regulation.**
19. **Cutting discs must not be subjected to any lateral pressure.**
20. **Do not use cloth work gloves during operation.** Fibers from cloth gloves may enter the tool, which causes tool breakage.
21. **Before operation, make sure that there is no buried object such as electric pipe, water pipe or gas pipe in the workpiece.** Otherwise, it may cause an electric shock, electrical leakage or gas leak.
22. **If a blotter is attached to the wheel, do not remove it. The diameter of the blotter must be larger than the lock nut, outer flange, and inner flange.**
23. **Before installing a grinding wheel, always check that the blotter part does not have any abnormalities such as chips or cracks.**
24. **Tighten the lock nut properly.** Overtightening the wheel can cause breakage and insufficient tightening can cause fluttering.

SAVE THESE INSTRUCTIONS.

⚠ WARNING: DO NOT let comfort or familiarity with product (gained from repeated use) replace strict adherence to safety rules for the subject product. MISUSE or failure to follow the safety rules stated in this instruction manual may cause serious personal injury.

Important safety instructions for battery cartridge

1. **Before using battery cartridge, read all instructions and cautionary markings on (1) battery charger, (2) battery, and (3) product using battery.**
2. **Do not disassemble or tamper with the battery cartridge.** It may result in a fire, excessive heat, or explosion.
3. **If operating time has become excessively shorter, stop operating immediately. It may result in a risk of overheating, possible burns and even an explosion.**
4. **If electrolyte gets into your eyes, rinse them out with clear water and seek medical attention right away. It may result in loss of your eyesight.**

5. **Do not short the battery cartridge:**
 - (1) **Do not touch the terminals with any conductive material.**
 - (2) **Avoid storing battery cartridge in a container with other metal objects such as nails, coins, etc.**
 - (3) **Do not expose battery cartridge to water or rain.**

A battery short can cause a large current flow, overheating, possible burns and even a breakdown.

6. **Do not store and use the tool and battery cartridge in locations where the temperature may reach or exceed 50 °C (122 °F).**
7. **Do not incinerate the battery cartridge even if it is severely damaged or is completely worn out. The battery cartridge can explode in a fire.**
8. **Do not nail, cut, crush, throw, drop the battery cartridge, or hit against a hard object to the battery cartridge.** Such conduct may result in a fire, excessive heat, or explosion.
9. **Do not use a damaged battery.**
10. **The contained lithium-ion batteries are subject to the Dangerous Goods Legislation requirements.**

For commercial transports e.g. by third parties, forwarding agents, special requirement on packaging and labeling must be observed. For preparation of the item being shipped, consulting an expert for hazardous material is required. Please also observe possibly more detailed national regulations.

Tape or mask off open contacts and pack up the battery in such a manner that it cannot move around in the packaging.

11. **When disposing the battery cartridge, remove it from the tool and dispose of it in a safe place. Follow your local regulations relating to disposal of battery.**
12. **Use the batteries only with the products specified by Makita.** Installing the batteries to non-compliant products may result in a fire, excessive heat, explosion, or leak of electrolyte.
13. **If the tool is not used for a long period of time, the battery must be removed from the tool.**
14. **During and after use, the battery cartridge may take on heat which can cause burns or low temperature burns. Pay attention to the handling of hot battery cartridges.**
15. **Do not touch the terminal of the tool immediately after use as it may get hot enough to cause burns.**
16. **Do not allow chips, dust, or soil stuck into the terminals, holes, and grooves of the battery cartridge.** It may cause heating, catching fire, burst and malfunction of the tool or battery cartridge, resulting in burns or personal injury.
17. **Unless the tool supports the use near high-voltage electrical power lines, do not use the battery cartridge near high-voltage electrical power lines.** It may result in a malfunction or breakdown of the tool or battery cartridge.
18. **Keep the battery away from children.**

SAVE THESE INSTRUCTIONS.

⚠ CAUTION: Only use genuine Makita batteries. Use of non-genuine Makita batteries, or batteries that have been altered, may result in the battery bursting causing fires, personal injury and damage. It will also void the Makita warranty for the Makita tool and charger.

Tips for maintaining maximum battery life

1. **Charge the battery cartridge before completely discharged. Always stop tool operation and charge the battery cartridge when you notice less tool power.**
2. **Never recharge a fully charged battery cartridge. Overcharging shortens the battery service life.**
3. **Charge the battery cartridge with room temperature at 10 °C - 40 °C (50 °F - 104 °F). Let a hot battery cartridge cool down before charging it.**
4. **When not using the battery cartridge, remove it from the tool or the charger.**
5. **Charge the battery cartridge if you do not use it for a long period (more than six months).**

FUNCTIONAL DESCRIPTION

⚠ CAUTION: Always be sure that the tool is switched off and the battery cartridge is removed before adjusting or checking function on the tool.

Installing or removing battery cartridge

⚠ CAUTION: Always switch off the tool before installing or removing of the battery cartridge.

⚠ CAUTION: Hold the tool and the battery cartridge firmly when installing or removing battery cartridge. Failure to hold the tool and the battery cartridge firmly may cause them to slip off your hands and result in damage to the tool and battery cartridge and a personal injury.

► Fig.1: 1. Red indicator 2. Button 3. Battery cartridge

To remove the battery cartridge, slide it from the tool while sliding the button on the front of the cartridge.

To install the battery cartridge, align the tongue on the battery cartridge with the groove in the housing and slip it into place. Insert it all the way until it locks in place with a little click. If you can see the red indicator as shown in the figure, it is not locked completely.

⚠ CAUTION: Always install the battery cartridge fully until the red indicator cannot be seen. If not, it may accidentally fall out of the tool, causing injury to you or someone around you.

⚠ CAUTION: Do not install the battery cartridge forcibly. If the cartridge does not slide in easily, it is not being inserted correctly.

Indicating the remaining battery capacity

Only for battery cartridges with the indicator

► Fig.2: 1. Indicator lamps 2. Check button

Press the check button on the battery cartridge to indicate the remaining battery capacity. The indicator lamps light up for a few seconds.

Indicator lamps			Remaining capacity
Lighted	Off	Blinking	
	■ ■ ■ ■		75% to 100%
	■ ■ ■ □		50% to 75%
	■ ■ □ □		25% to 50%
	■ □ □ □		0% to 25%
▣	□ □ □ □		Charge the battery.
■ ■ □ □	□ □	■ ■	The battery may have malfunctioned.
	□ □	■ ■	

NOTE: Depending on the conditions of use and the ambient temperature, the indication may differ slightly from the actual capacity.

NOTE: The first (far left) indicator lamp will blink when the battery protection system works.

Indicating the remaining battery capacity

Country specific

When you turn the tool on, the battery indicator shows the remaining battery capacity.

► Fig.3: 1. Battery indicator

The remaining battery capacity is shown as the following table.

Battery indicator status			Remaining battery capacity
On	Off	Blinking	
		▣	50% to 100%
		▣	20% to 50%
		▣	0% to 20%
		▣	Charge the battery

Tool / battery protection system

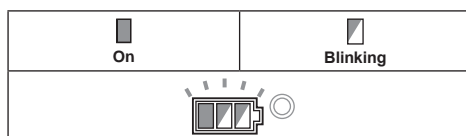
The tool is equipped with a tool/battery protection system. This system automatically cuts off power to the motor to extend tool and battery life. The tool will automatically stop during operation if the tool or battery is placed under one of the following conditions:

Overload protection

When the tool is operated in a manner that causes it to draw an abnormally high current, the tool automatically stops without any indication. In this situation, turn the tool off and stop the application that caused the tool to become overloaded. Then turn the tool on to restart.

Overheat protection

When the tool is overheated, the tool stops automatically and the battery indicator shows following state. In this situation, let the tool cool before turning the tool on again.



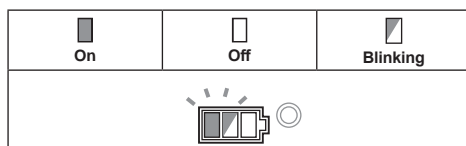
If the tool does not start, the battery may be overheated. In this situation, let the battery cool before starting the tool again.

Overdischarge protection

When the battery capacity is not enough, the tool stops automatically. In this case, remove the battery from the tool and charge the battery.

Releasing protection lock

When the protection system works repeatedly, the tool is locked and the battery indicator shows the following state. In this situation, the tool does not start even if turning the tool off and on. To release the protection lock, remove the battery, set it to the battery charger and wait until the charging finishes.



Protections against other causes

Protection system is also designed for other causes that could damage the tool and allows the tool to stop automatically. Take all the following steps to clear the causes, when the tool has been brought to a temporary halt or stop in operation.

1. Turn the tool off, and then turn it on again to restart.
2. Charge the battery(ies) or replace it/them with recharged battery(ies).
3. Let the tool and battery(ies) cool down.

If no improvement can be found by restoring protection system, then contact your local Makita Service Center.

Shaft lock

⚠ WARNING: Never actuate the shaft lock when the spindle is moving. It may cause serious injury or the tool damage.

Press the shaft lock to prevent spindle rotation when installing or removing accessories.

► Fig.4: 1. Shaft lock

Switch action

⚠ CAUTION: Before installing the battery cartridge into the tool, always check to see that the slide switch actuates properly and returns to the "OFF" position when the rear of the slide switch is depressed.

⚠ CAUTION: Switch can be locked in "ON" position for ease of operator comfort during extended use. Apply caution when locking tool in "ON" position and maintain firm grasp on tool.

To start the tool, press down the rear end of the slide switch and then slide it toward the "I (ON)" position. For continuous operation, press down the front end of the slide switch to lock it.

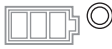

► Fig.5: 1. Slide switch

To stop the tool, press down the rear end of the slide switch so that it returns to the "O (OFF)" position.

► Fig.6: 1. Slide switch

Automatic speed change function

► Fig.7: 1. Mode indicator

Mode indicator status	Operation mode
	High speed mode
	High torque mode

This tool has "high speed mode" and "high torque mode". It automatically changes operation mode depending on the work load. When mode indicator lights up during operation, the tool is in high torque mode.

Accidental re-start preventive function

When installing the battery cartridge while the switch is ON, the tool does not start.

To start the tool, turn off the switch, and turn it on again.

Active Feedback sensing Technology

The tool electronically detects situations where the wheel or accessory may be at risk to be bound. In the situation, the tool is automatically shut off to prevent further rotation of the spindle (it does not prevent kickback).

To restart the tool, switch off the tool first, remove the cause of sudden drop in the rotation speed, and then turn the tool on.

Soft start feature

Soft start feature reduces starting reaction.

Electric brake

Electric brake is activated after the tool is switched off. The brake does not work when the power supply is shut down, such as the battery is removed accidentally, with the switch still on.

ASSEMBLY

⚠ CAUTION: Always be sure that the tool is switched off and the battery cartridge is removed before adjusting or checking function on the tool.

Installing side grip (handle)

⚠ CAUTION: Always be sure that the side grip is installed securely before operation.

Screw the side grip securely on the position of the tool as shown in the figure.

► Fig.8

Installing or removing wheel guard (For depressed center wheel, flap disc, flex wheel, wire wheel brush / abrasive cut-off wheel, diamond wheel)

⚠ WARNING: When using a depressed center wheel, flap disc, flex wheel or wire wheel brush, the wheel guard must be fitted on the tool so that the closed side of the guard always points toward the operator.

⚠ WARNING: When using an abrasive cut-off / diamond wheel, be sure to use only the special wheel guard designed for use with cut-off wheels.

For tool with locking screw type wheel guard

Mount the wheel guard with the protrusions on the wheel guard band aligned with the notches on the bearing box. Then rotate the wheel guard to such an angle that it can protect the operator according to work. Be sure to tighten the screw securely.

To remove wheel guard, follow the installation procedure in reverse.

► Fig.9: 1. Wheel guard 2. Bearing box 3. Screw

For tool with clamp lever type wheel guard

Loosen the screw, and then pull the lever in the direction of the arrow. Mount the wheel guard with the protrusions on the wheel guard band aligned with the notches on the bearing box. Then rotate the wheel guard to such an angle that it can protect the operator according to work.

► **Fig.10:** 1. Wheel guard 2. Bearing box 3. Screw 4. Lever

Pull the lever in direction of the arrow. Then tighten the wheel guard with fastening the screw. Be sure to tighten the screw securely. The setting angle of the wheel guard can be adjusted with the lever.

► **Fig.11:** 1. Screw 2. Lever

To remove wheel guard, follow the installation procedure in reverse.

Clip-on cutting wheel guard attachment

Optional accessory

NOTE: For cutting-off operations, a clip-on cutting wheel guard attachment can be used with the wheel guard (for grinding wheel).

Not available in some countries.

► **Fig.12**

Installing or removing depressed center wheel or flap disc

Optional accessory

⚠ WARNING: When using a depressed center wheel or flap disc, the wheel guard must be fitted on the tool so that the closed side of the guard always points toward the operator.

⚠ WARNING: Make sure that the mounting part of the inner flange fits into the inner diameter of the depressed center wheel / flap disc perfectly. Mounting the inner flange on the wrong side may result in the dangerous vibration.

Mount the inner flange onto the spindle.

Make sure to fit the dented part of the inner flange onto the straight part at the bottom of the spindle.

Fit the depressed center wheel / flap disc on the inner flange and screw the lock nut onto the spindle.

► **Fig.13:** 1. Lock nut 2. Depressed center wheel 3. Inner flange 4. Mounting part

To tighten the lock nut, press the shaft lock firmly so that the spindle cannot revolve, then use the lock nut wrench and securely tighten clockwise.

► **Fig.14:** 1. Lock nut wrench 2. Shaft lock

To remove the wheel, follow the installation procedure in reverse.

Installing or removing flex wheel

Optional accessory

⚠ WARNING: Always use supplied guard when flex wheel is on the tool. Wheel can shatter during use and guard helps to reduce chances of personal injury.

► **Fig.15:** 1. Lock nut 2. Flex wheel 3. Back up pad 4. Inner flange

Follow instructions for depressed center wheel but also use back up pad over wheel.

Installing or removing abrasive disc

Optional accessory

NOTE: Use sander accessories specified in this manual. These must be purchased separately.

For 100 mm (4") model

► **Fig.16:** 1. Sanding lock nut 2. Abrasive disc 3. Rubber pad 4. Inner flange

1. Mount the inner flange onto the spindle.
2. Mount the rubber pad onto the spindle.
3. Fit the disc on the rubber pad and screw the sanding lock nut onto the spindle.
4. Hold the spindle with the shaft lock, and securely tighten the sanding lock nut clockwise with the lock nut wrench.

To remove the disc, follow the installation procedure in reverse.

For model other than 100 mm (4")

► **Fig.17:** 1. Sanding lock nut 2. Abrasive disc 3. Rubber pad

1. Mount the rubber pad onto the spindle.
2. Fit the disc on the rubber pad and screw the sanding lock nut onto the spindle.
3. Hold the spindle with the shaft lock, and securely tighten the sanding lock nut clockwise with the lock nut wrench.

To remove the disc, follow the installation procedure in reverse.

Installing or removing Ezynut

Optional accessory

Only for tools with M14 spindle thread.

Mount inner flange, abrasive wheel and Ezynut onto the spindle so that Makita Logo on Ezynut faces outside.

► **Fig.18:** 1. Ezynut 2. Abrasive wheel 3. Inner flange 4. Spindle

Press shaft lock firmly and tighten Ezynut by turning the abrasive wheel clockwise as far as it turns.

► **Fig.19:** 1. Shaft lock

To loosen the Ezynut, turn the outside ring of Ezynut counterclockwise.

NOTE: Ezynut can be loosened by hand as long as the arrow points the notch. Otherwise a lock nut wrench is required to loosen it. Insert one pin of the wrench into a hole and turn Ezynut counterclockwise.

► **Fig.20:** 1. Arrow 2. Notch

► **Fig.21**

Installing abrasive cut-off / diamond wheel

Optional accessory

⚠ WARNING: When using an abrasive cut-off / diamond wheel, be sure to use only the special wheel guard designed for use with cut-off wheels.

⚠ WARNING: NEVER use cut-off wheel for side grinding.

- **Fig.22:** 1. Lock nut 2. Abrasive cut-off wheel / diamond wheel 3. Inner flange 4. Wheel guard for abrasive cut-off wheel / diamond wheel

As for the installation, follow the instructions for depressed center wheel.
The direction for mounting the lock nut and the inner flange varies by wheel type and thickness.
Refer to the following figures.

For 100 mm (4") model

When installing the abrasive cut-off wheel:

- **Fig.23:** 1. Lock nut 2. Abrasive cut-off wheel (Thinner than 4 mm (5/32")) 3. Abrasive cut-off wheel (4 mm (5/32") or thicker) 4. Inner flange

When installing the diamond wheel:

- **Fig.24:** 1. Lock nut 2. Diamond wheel (Thinner than 4 mm (5/32")) 3. Diamond wheel (4 mm (5/32") or thicker) 4. Inner flange

For model other than 100 mm (4")

When installing the abrasive cut-off wheel:

- **Fig.25:** 1. Lock nut 2. Abrasive cut-off wheel (Thinner than 4 mm (5/32")) 3. Abrasive cut-off wheel (4 mm (5/32") or thicker) 4. Inner flange

When installing the diamond wheel:

- **Fig.26:** 1. Lock nut 2. Diamond wheel (Thinner than 4 mm (5/32")) 3. Diamond wheel (4 mm (5/32") or thicker) 4. Inner flange

Installing wire cup brush

Optional accessory

⚠ CAUTION: Do not use brush that is damaged, or which is out of balance. Use of damaged brush could increase potential for injury from contact with broken brush wires.

Place the tool upside down to allow easy access to the spindle.

Remove any accessories on spindle. Thread wire cup brush onto spindle and tighten with supplied wrench.

- **Fig.27:** 1. Wire cup brush

Installing wire wheel brush

Optional accessory

⚠ CAUTION: Do not use wire wheel brush that is damaged, or which is out of balance. Use of damaged wire wheel brush could increase potential for injury from contact with broken wires.

⚠ CAUTION: ALWAYS use guard with wire wheel brushes, assuring diameter of wheel fits inside guard. Wheel can shatter during use and guard helps to reduce chances of personal injury.

Place the tool upside down to allow easy access to the spindle.

Remove any accessories on spindle. Thread wire wheel brush onto spindle and tighten with the wrenches.

- **Fig.28:** 1. Wire wheel brush

Installing hole cutter

Optional accessory

Place the tool upside down to allow easy access to the spindle.

Remove any accessories on the spindle. Thread the hole cutter onto the spindle, and tighten it with the supplied wrench.

- **Fig.29:** 1. Hole cutter

Installing dust collecting wheel guard for grinding

Only for model DGA456 / DGA506

Optional accessory

With optional accessories, you can use this tool for planing concrete surface.

⚠ CAUTION: Dust collecting wheel guard for grinding is only for use in planing concrete surface with a cup-type diamond wheel. Do not use this guard with any other cutting accessory or for any other purpose.

⚠ CAUTION: Before operation, make sure that a vacuum cleaner is connected to the tool and turned on.

Place the tool upside down and install the dust collecting wheel guard.

Mount the inner flange onto the spindle.

Fit the cup-type diamond wheel on the inner flange and tighten the lock nut onto the spindle.

- **Fig.30:** 1. Lock nut 2. Cup-type diamond wheel 3. Hubbed cup-type diamond wheel 4. Inner flange 5. Dust collecting wheel guard 6. Bearing box

NOTE: For information how to install the dust collecting wheel guard, refer to the manual of the dust collecting wheel guard.

Installing dust collecting wheel guard for cutting-off

Optional accessory

With optional accessories, you can use this tool for cutting stone materials.

► Fig.31

NOTE: For information how to install the dust collecting wheel guard, refer to the manual of the dust collecting wheel guard.

OPERATION

⚠ WARNING: It should never be necessary to force the tool. The weight of the tool applies adequate pressure. Forcing and excessive pressure could cause dangerous wheel breakage.

⚠ WARNING: ALWAYS replace wheel if tool is dropped while grinding.

⚠ WARNING: NEVER hit the workpiece with the wheel.

⚠ WARNING: Avoid bouncing and snagging the wheel, especially when working corners, sharp edges etc. This can cause loss of control and kickback.

⚠ WARNING: NEVER use tool with wood cutting blades and other saw blades. Such blades when used on a grinder frequently kick and cause loss of control leading to personal injury.

⚠ CAUTION: Never switch on the tool when it is in contact with the workpiece, it may cause an injury to operator.

⚠ CAUTION: Always wear safety goggles or a face shield during operation.

⚠ CAUTION: After operation, always switch off the tool and wait until the wheel has come to a complete stop before putting the tool down.

⚠ CAUTION: ALWAYS hold the tool firmly with one hand on housing and the other on the side grip (handle).

NOTE: A dual purpose wheel can be used for both grinding and cutting-off operations.

Refer to the "Grinding and sanding operation" for grinding operation, and refer to the "Operation with abrasive cut-off / diamond wheel" for cutting-off operation.

Grinding and sanding operation

► Fig.32

Turn the tool on and then apply the wheel or disc to the workpiece.

In general, keep the edge of the wheel or disc at an angle of about 15° to the workpiece surface. During the break-in period with a new wheel, do not work the grinder in forward direction or it may cut into the workpiece. Once the edge of the wheel has been rounded off by use, the wheel may be worked in both forward and backward direction.

Usage example: operation with cup-type diamond wheel

► Fig.33

Keep the tool horizontally and apply the entire cup-type diamond wheel to the workpiece surface.

Operation with abrasive cut-off / diamond wheel

Optional accessory

⚠ WARNING: Do not "jam" the wheel or apply excessive pressure. Do not attempt to make an excessive depth of cut. Overstressing the wheel increases the loading and susceptibility to twisting or binding of the wheel in the cut and the possibility of kickback, wheel breakage and overheating of the motor may occur.

⚠ WARNING: Do not start the cutting operation in the workpiece. Let the wheel reach full speed and carefully enter into the cut moving the tool forward over the workpiece surface. The wheel may bind, walk up or kickback if the power tool is started in the workpiece.

⚠ WARNING: During cutting operations, never change the angle of the wheel. Placing side pressure on the cut-off wheel (as in grinding) will cause the wheel to crack and break, causing serious personal injury.

⚠ WARNING: A diamond wheel shall be operated perpendicular to the material being cut.

Usage example: operation with abrasive cut-off wheel

► Fig.34

Usage example: operation with diamond wheel

► Fig.35

Operation with wire cup brush

Optional accessory

⚠ CAUTION: Check operation of brush by running tool with no load, insuring that no one is in front of or in line with brush.

NOTICE: Avoid applying too much pressure which causes over bending of wires when using the wire cup brush. It may lead to premature breakage.

Usage example: operation with wire cup brush

► Fig.36

Operation with wire wheel brush

Optional accessory

⚠ CAUTION: Check operation of wire wheel brush by running tool with no load, insuring that no one is in front of or in line with the wire wheel brush.

NOTICE: Avoid applying too much pressure which causes over bending of wires when using wire wheel brush. It may lead to premature breakage.

Usage example: operation with wire wheel brush
▶ Fig.37

Operation with hole cutter

Optional accessory

⚠ CAUTION: Check operation of the hole cutter by running the tool with no load, insuring that no one is in front of the hole cutter.

NOTICE: Do not tilt the tool during operation. It may lead to premature breakage.

Usage example: operation with hole cutter
▶ Fig.38

MAINTENANCE

⚠ CAUTION: Always be sure that the tool is switched off and the battery cartridge is removed before attempting to perform inspection or maintenance.

NOTICE: Never use gasoline, benzine, thinner, alcohol or the like. Discoloration, deformation or cracks may result.

To maintain product SAFETY and RELIABILITY, repairs, any other maintenance or adjustment should be performed by Makita Authorized or Factory Service Centers, always using Makita replacement parts.

Air vent cleaning

The tool and its air vents have to be kept clean. Regularly clean the tool's air vents or whenever the vents start to become obstructed.

▶ Fig.39: 1. Exhaust vent 2. Inhalation vent

Remove the dust cover from inhalation vent and clean it for smooth air circulation.

▶ Fig.40: 1. Dust cover

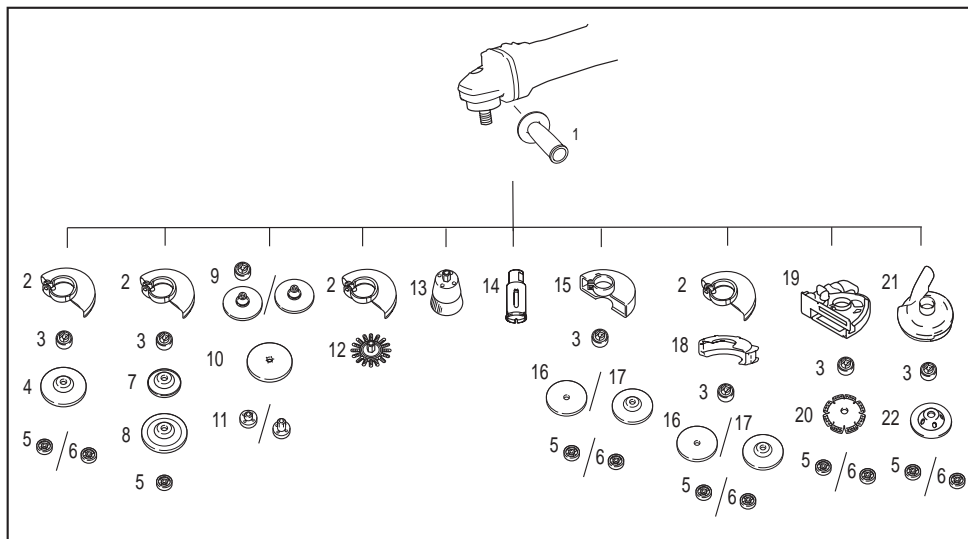
NOTICE: Clean out the dust cover when it is clogged with dust or foreign matters. Continuing operation with a clogged dust cover may damage the tool.

COMBINATION OF APPLICATIONS AND ACCESSORIES

Optional accessory

⚠ CAUTION: Using the tool with incorrect guards can cause risks as follows.

- When using a cut-off wheel guard for facial grinding, the wheel guard may interfere with the workpiece causing poor control.
- When using a grinding wheel guard for cutting-off operations with bonded abrasive wheels and diamond wheels, there is an increased risk of exposure to rotating wheels, emitted sparks and particles, as well as exposure to wheel fragments in the event of wheel burst.
- When using a cut-off wheel guard or grinding wheel guard for facial operations with cup-type diamond wheels, the wheel guard may interfere with the workpiece causing poor control.
- When using a cut-off wheel guard or grinding wheel guard with a wheel-type wire brush with a thickness greater than the maximum thickness as specified in "SPECIFICATIONS", the wires may catch on the guard leading to breaking of wires.
- Use of dust collecting wheel guards for cutting-off and facial operations in concrete or masonry reduces a risk of exposure to dust.
- When using dual purpose (combined grinding and cutting-off abrasive) flange mounted wheels, only use a cut-off wheel guard.



-	Application	100 mm model	115 mm model	125 mm model
1	-	Side grip		
2	-	Wheel guard (for grinding wheel)		
3	-	Inner flange		
4	Grinding / Sanding	Depressed center wheel / Flap disc		
5	-	Lock nut		
6	-	-	Ezynut *1	
7	-	Back up pad		
8	Grinding	Flex wheel		
9	-	Inner flange and rubber pad 76	Rubber pad 100	Rubber pad 115
10	Sanding	Abrasive disc		
11	-	Sanding lock nut		
12	Wire brushing	Wire wheel brush		

-	Application	100 mm model	115 mm model	125 mm model
13	Wire brushing	Wire cup brush		
14	Hole cutting	Hole cutter		
15	-	Wheel guard (for cut-off wheel)		
16	Cutting-off	Abrasive cut-off wheel / Diamond wheel		
17	Grinding / Cutting-off	Dual purpose wheel		
18	-	Clip-on cutting wheel guard attachment *2		
19	-	Dust collecting wheel guard for cutting-off *3		
20	Cutting-off	Diamond wheel		
21	-	-	Dust collecting wheel guard for grinding *4	
22	Grinding	-	Cup-type diamond wheel *4	
-	-	Lock nut wrench		

NOTE: *1 Only for tools with M14 spindle thread.

NOTE: *2 Clip-on cutting wheel guard attachment is not available in some countries. For more details, refer to the instruction manual of the clip-on cutting wheel guard attachment.

NOTE: *3 For more details, refer to each instruction manual of the guard.

NOTE: *4 Only for model DGA456 / DGA506

For more details, refer to each instruction manual of the guard.

OPTIONAL ACCESSORIES

⚠ CAUTION: These accessories or attachments are recommended for use with your Makita tool specified in this manual. The use of any other accessories or attachments might present a risk of injury to persons. Only use accessory or attachment for its stated purpose.

If you need any assistance for more details regarding these accessories, ask your local Makita Service Center.

- Makita genuine battery and charger
- Accessories listed in "COMBINATION OF APPLICATIONS AND ACCESSORIES"

NOTE: Some items in the list may be included in the tool package as standard accessories. They may differ from country to country.

TEHNIČNI PODATKI

Model:		DGA406	DGA456	DGA506
Primerna brusilna plošča	Največji premer plošče	100 mm	115 mm	125 mm
	Največja debelina plošče	6,4 mm	7,2 mm	
Primerna rezalna plošča	Največji premer plošče	105 mm	115 mm	125 mm
	Največja debelina plošče	3,2 mm		
Primerna ploščata žična ščetka	Največji premer plošče	100 mm	115 mm	125 mm
	Največja debelina plošče	20 mm		
Navoj vretena		M10	M14 ali 5/8" (odvisno od države)	
Največja dolžina vretena		18 mm	23 mm	
Hitrost brez obremenitve (n_0)/Nazivna hitrost (n)		8.500 min ⁻¹		
Celotna dolžina	z BL1840B	362 mm		
Neto teža		2,2 – 3,7 kg	2,3 – 3,8 kg	2,4 – 3,8 kg
Nazivna napetost		D.C. 18 V		

- Ker nenehno opravljamo raziskave in razvijamo svoje izdelke, se lahko tehnični podatki v tem dokumentu spremenijo brez obvestila.
- Tehnični podatki se lahko razlikujejo od države do države.
- Teža se lahko razlikuje glede na priključke, vključno z akumulatorsko baterijo. Najlažja in najtežja kombinacija v skladu s postopkom EPTA 01/2014 sta prikazani v preglednici.

Uporabna akumulatorska baterija in polnilnik

Baterijski vložek	BL1815N / BL1820B / BL1830B / BL1840B / BL1850B / BL1860B
Polnilnik	DC18RC / DC18RD / DC18RE / DC18SD / DC18SE / DC18SF / DC18SH / DC18WC

- Nekatere zgoraj navedene akumulatorske baterije in polnilniki morda v vaši državi prebivališča niso na voljo.

⚠ OPOZORILO: Uporabljajte le zgoraj navedene akumulatorske baterije in polnilnike. Uporaba drugih akumulatorskih baterij in polnilnikov lahko povzroči telesne poškodbe in/ali požar.





Priporočen vir napajanja s kablom

Prenosna polnilna enota	PDC01
-------------------------	-------

- Vir(i) napajanja s kablom, navedeni zgoraj, morda v vaši državi prebivališča niso na voljo.
- Pred uporabo vira napajanja s kablom preberite navodila in opozorilne znake na njem.

Simboli

Naslednji simboli se lahko uporabljajo v povezavi s strojem. Pred uporabo izdelka se obvezno seznanite z njihovim pomenom.

	Preberite navodila za uporabo.
	Nosite zaščitna očala.
	Pri delu vedno uporabljajte obe roki.
	Ščitnika za plošče ne uporabljajte za rezanje.



Samo za države EU
Zaradi prisotnosti nevarnih komponent v opremi imajo lahko uporabljena električna in elektronska oprema, akumulatorji in baterije negativen vpliv na okolje in zdravje ljudi.

Električnih in elektronskih naprav ali baterij ne odlagajte med gospodinjne odpadke! Skladno z evropsko Direktivo o odpadni električni in elektronski opremi, o akumulatorjih in baterijah ter njihovo uporabo v državnih zakonih morate rabljeno električno in elektronsko opremo, baterije in akumulatorje zbirati ločeno ter dostaviti na posebno zbiralno mesto za komunalne odpadke, ki deluje skladno s predpisi za zaščito okolja. To nakazuje simbol prečrtanega smetnjaka s kolesi, ki je natisnjen na opremi.

Predvidena uporaba

Orodje je namenjeno brušenju, peskanju, žičnemu ščetkanju, rezanju lukenj ter rezanju kovine in kamna brez uporabe vode.

Hrup

Običajna A-ovrednotena raven hrupa v skladu z EN62841-2-3:

Model	Raven zvočnega tlaka (L_{pA}): (dB(A))	Raven zvočne moči (L_{WA}): (dB(A))	Odstopanje (K): (dB(A))
DGA406	83	91	3
DGA456	82	90	3
DGA506	82	90	3

OPOMBA: Navedene vrednosti oddajanja hrupa so bile izmerjene v skladu s standardnimi metodami testiranja in se lahko uporabljajo za primerjavo orodij.

OPOMBA: Navedene vrednosti oddajanja hrupa se lahko uporabljajo tudi pri predhodni oceni izpostavljenosti.

⚠ OPOZORILO: Uporabljajte zaščito za sluh.

⚠ OPOZORILO: Oddajanje hrupa med dejansko uporabo električnega orodja se lahko razlikuje od navedenih vrednosti, odvisno od načina uporabe orodja in predvsem vrste obdelovanca.

⚠ OPOZORILO: Upravljalavec mora za lastno zaščito poznati varnostne ukrepe, ki temeljijo na oceni izpostavljenosti v dejanskih pogojih uporabe (poleg časa proženja je treba upoštevati celoten delovni cikel, vključno s časom, ko je orodje izklopljeno, in časom, ko deluje v prostem teku).

⚠ OPOZORILO: Brušenje tankih kovinskih plošč ali drugih struktur, ki zlahka vibrirajo, z veliko površino ima lahko skupno vrednost oddajanja hrupa veliko višjo (do 15 dB) od navedenih vrednosti hrupa.

Na takšne obdelovance položite težke gibke blažilne podloge, ki zadošijo zvok.

Povečano oddajanje hrupa upoštevajte tako pri oceni tveganja izpostavljenosti hrupu kot pri izbiri zadostne zaščite sluha.

Vibracije

Skupne vrednosti vibracij (vektorska vsota treh osi) v skladu z EN62841-2-3:

Način dela: brušenje površin z uporabo običajnega stranskega ročaja

Model	Oddajanje tresljajev ($a_{H, AG}$): (m/s^2)	Odstopanje (K): (m/s^2)
DGA406	4,5	1,5
DGA456	6,5	1,5
DGA506	6,5	1,5

Način dela: brušenje površin z uporabo antivibracijskega stranskega ročaja

Model	Oddajanje tresljajev ($a_{H, AG}$): (m/s^2)	Odstopanje (K): (m/s^2)
DGA406	4,0	1,5
DGA456	6,0	1,5
DGA506	6,0	1,5

Način dela: peskanje s ploščo z uporabo običajnega stranskega ročaja

Model	Oddajanje tresljajev ($a_{H, DS}$): (m/s^2)	Odstopanje (K): (m/s^2)
DGA406	2,5 m/s^2 ali manj	1,5
DGA456	2,5 m/s^2 ali manj	1,5
DGA506	2,5 m/s^2 ali manj	1,5

Način dela: peskanje s ploščo z uporabo antivibracijskega stranskega ročaja

Model	Oddajanje tresljajev ($a_{H, DS}$): (m/s^2)	Odstopanje (K): (m/s^2)
DGA406	2,5 m/s^2 ali manj	1,5
DGA456	2,5 m/s^2 ali manj	1,5
DGA506	2,5 m/s^2 ali manj	1,5

OPOMBA: Navedene skupne vrednosti oddajanja vibracij so bile izmerjene v skladu s standardnimi metodami testiranja in se lahko uporabljajo za primerjavo orodij.

OPOMBA: Navedene skupne vrednosti oddajanja vibracij se lahko uporabljajo tudi pri predhodni oceni izpostavljenosti.

⚠ OPOZORILO: Oddajanje vibracij med dejansko uporabo električnega orodja se lahko razlikuje od navedenih vrednosti, odvisno od načina uporabe orodja in predvsem vrste obdelovanca.

⚠ OPOZORILO: Upravljalavec mora za lastno zaščito poznati varnostne ukrepe, ki temeljijo na oceni izpostavljenosti v dejanskih pogojih uporabe (poleg časa proženja je treba upoštevati celoten delovni cikel, vključno s časom, ko je orodje izklopljeno, in časom, ko deluje v prostem teku).

⚠ OPOZORILO: Navedena vrednost oddajanja vibracij se uporablja za glavno uporabo električnega orodja. Vendar če električno orodje uporabljate za druge namene, se lahko vrednosti oddajanja vibracij razlikujejo.

Izjava o skladnosti ES

Samo za evropske države

Izjava ES o skladnosti je vključena v dodatku A, ki je priložen tem navodilom za uporabo.

VARNOSTNA OPOZORIILA

Splošna varnostna opozorila za električno orodje

⚠ OPOZORILO Preberite vsa varnostna opozorila ter navodila s slikami in tehničnimi podatki, ki so priloženi temu električnemu orodju. Ob neupoštevanju spodaj navedenih navodil obstaja nevarnost električnega udara, požara in/ali hudih telesnih poškodb.

Shranite vsa opozorila in navodila za poznejšo uporabo.

Izraz „električno orodje“ v opozorilih se nanaša na vaše električno orodje (s kablom) ali baterijsko električno orodje (brez kabla).

Varnostna opozorila pri uporabi brezžičnega brusilnika

Varnostna opozorila za brušenje, peskanje, žično ščetkanje ali rezanje:

- 1. To električno orodje je namenjeno za brušenje, glajenje, žično ščetkanje, rezanje lukenj ali rezanje.** Preberite vsa varnostna opozorila ter navodila s slikami in tehničnimi podatki, ki so priloženi temu električnemu orodju. Ob neupoštevanju spodaj navedenih navodil obstaja nevarnost električnega udara, požara in/ali hudih telesnih poškodb.
- 2. To električno orodje ni primerno za poliranje.** Izvajanje del, za katera električno orodje ni bilo zasnovano, je nevarno in lahko povzroči hude telesne poškodbe.
- 3. Ne spreminjajte električnega orodja in ga uporabljajte na načine, ki jih ni zasnoval in določil proizvajalec orodja.** Takšno spreminjanje lahko privede do izgube nadzora in hudih telesnih poškodb.

- 4. Uporabljajte le dodatno opremo, ki jo je posebej za to orodje zasnoval in določil proizvajalec.** Če je dodatno opremo mogoče pritrditi na električno orodje, to še ne pomeni, da je uporaba varna.
- 5. Nazivno število vrtljajev dodatne opreme mora ustrezati vsaj največjemu številu vrtljajev, ki je označeno na električnem orodju.** Dodatna oprema, ki se vrti hitreje od nazivnega števila vrtljajev, se lahko zlomi in razleti.
- 6. Zunanji premer in debelina dodatne opreme morata ustrezati nazivni moči električnega orodja.** Dodatne opreme neustrezne velikosti ni mogoče pravilno zavarovati s ščitniki ali jo povsem nadzorovati.
- 7. Dimenzije dodatne opreme se morajo prilegati dimenzijam strojne opreme za namestitvev električnega orodja.** Dodatne opreme, ki se ne ujema, ni mogoče ustrezno namestiti na električno orodje, kar lahko povzroči neuravnoteženost, čezmerno vibriranje in izgubo nadzora.
- 8. Ne uporabljajte poškodovane dodatne opreme.** Pred vsako uporabo preverite dodatno opremo (npr. abrazivne plošče), če se morda ni odkrutila, če pomožne plošče niso počene, pretrgane ali čezmerno obrabljene ali če so na žičnih ščetkah ohlapne ali počene žice. Če pade električno orodje ali dodatna oprema na tla, preverite, ali so nastale poškodbe, in po potrebi zamenjajte poškodovano dodatno opremo z novo. Po pregledu in namestitvi dodatne opreme se postavite izven ravnine vrtenja dodatne opreme in opozorite osebe v vaši bližini, naj se oddaljijo, ter vključite orodje in ga pustite teči pri najvišji hitrosti eno minuto brez obremenitve. Med tem preizkusom poškodovana dodatna oprema običajno počni.
- 9. Uporabljajte osebna zaščitna sredstva.** Odvisno od dela, ki ga opravljate, uporabljajte zaščitno masko za obraz in oči ali zaščitna očala. Če je potrebno, uporabljajte protiprašno masko, glušnike, rokavice ali predpasnik za zaščito pred drobcami materiala. Zaščita za oči mora zadržati leteče drobce, ki so prisotni pri različnih načinih uporabe. Protiprašna maska ali maska za zaščito dihal mora zadržati prah, ki nastaja med določeno uporabo. Daljše izpostavljanje zelo intenzivnemu hrupu lahko povzroči izgubo sluha.

10. **Pri delu poskrbite, da bodo druge osebe varno oddaljene od delovnega območja. V delovno območje lahko vstopajo samo osebe z ustrežno osebno zaščitno opremo.** Leteči drobci materiala obdelovanca ali počene dodatne opreme so nevarni in lahko povzročijo poškodbe tudi izven delovnega območja.
11. **Če obstaja nevarnost, da bi z rezalnimi orodjem prerezali skrito električno napeljavo, držite električno orodje samo na izoliranih držalnih površinah.** Če pride do stika z vodniki pod napetostjo, so pod napetostjo vsi neizolirani kovinski deli električnega orodja, zaradi česar lahko uporabnik utрпи električni udar.
12. **Nikoli ne odlagajte električnega orodja iz rok, dokler se dodatna oprema povsem ne ustavi.** Dodatna oprema, ki se še vedno vrti, lahko pride v stik s površino in povzroči izgubo nadzora nad električnim orodjem.
13. **Ne pustite električnega orodja vklopljenega, ko ga nosite ob boku.** Vrteča se dodatna oprema se lahko nepričakovano zaplete v vašo obleko in vas poškoduje.
14. **Redno čistite hladilne reže električnega orodja.** Ventilator motorja vsesava v ohišje prah, ki povzroča škodljivo kopičenje prahu in s tem nevarnost električne okvare.
15. **Ne uporabljajte električnega orodja v bližini gorljivih snovi.** Gorljive snovi se lahko vnamejo zaradi iskrenja.
16. **Ne uporabljajte dodatne opreme, ki je predvidena za uporabo s tekočim hladilnim sredstvom.** Uporaba vode ali drugih tekočin za hlajenje lahko povzroči električni udar.

Opozorila v zvezi s povratnim udarcem in podobnim:

Povratni udarec je nenadna reakcija, če se stisne ali zagodži vrteča se plošča, pomožna plošča, krtača ali druga dodatna oprema. Zagozdenje ali blokiranje povzroči hitro ustavitev vrteče se dodatne opreme, kar povzroči nenadzorovani premik električnega orodja v nasprotni smeri vrtenja dodatne opreme v točki zagozditve.

Če pride na primer do blokade abrazivne plošče v obdelovancu, lahko rob v točki zagozdenja zareže v površino, pri tem pa nastala sila ploščo odbije od materiala. Plošča lahko odskoči bodisi proti vam ali v nasprotni smeri, kar je odvisno od smeri vodenja plošče v točki zagozdenja. Abrazivna plošča se lahko pod temi pogoji tudi zlomi.

Povratni udarec je posledica nestrokovnega ravnanja z električnim orodjem ali neugodnih okoliščin. Preprečite ga lahko z upoštevanjem spodaj navedenih opozoril.

1. **Električno orodje trdno držite z obema rokama, svoje telo in roke pa postavite v takšen položaj, da lahko prestržete sile povratnega udarca.** Med zagonom vedno uporabite pomožne ročaje, če so dobavljeni z orodjem, da zagotovite največji nadzor nad povratnim udarcem ali reakcijsko silo navora. Upravljavec lahko reakcijske sile navora ali povratne udarce učinkovito prepreči z upoštevanjem previdnostnih ukrepov.
2. **Nikoli ne približujte rok vrtečim se delom dodatne opreme.** Dodatna oprema lahko udari nazaj prek vaše roke.

3. **S telesom se postavite stran od smeri, v katero orodje lahko skoči v primeru, da pride do povratnega udarca.** Povratni udarec sunkovito potisne orodje v nasprotni smeri vrtenja plošče v točki zagozdenja.
4. **Pri obdelavi vogalov, ostrih robov ipd. je potrebna večja previdnost. Izogibajte se položajem, v katerih lahko dodatna oprema odskoči iz obdelovanca ali se zagodži.** V vogalih in na ostrih robovih obstaja povečana nevarnost poskovanja ali zagozdenja dodatne opreme, kar lahko povzroči izgubo nadzora in povratni udarec.
5. **Ne priključite rezila verižne žage za izrezovanje lesa, segmentiranih diamantnih rezalnih plošč z bočnim robom, večjim od 10 mm, ali nazobčanih rezil žage.** Tovrstna rezila pogosto povzročijo povratni udarec ali izgubo nadzora.

Posebna varnostna opozorila za brušenje in rezanje:

1. **Uporabljajte samo vrste plošč, ki so določene za vaše električno orodje, in ščitnik, posebej zasnovan za izbrano ploščo.** Plošče, ki niso bile oblikovane za to električno orodje, ne morejo biti dovolj zaščitene in niso varne.
2. **Površino za brušenje plošč z ugreznjenim centrom je treba namestiti pod poslovjivo ščitnika.** Nepravilno nameščene plošče, ki gleda prek ravnine ščitnika, ni mogoče zadostno zaščititi.
3. **Za zagotavljanje maksimalne varnosti pri delu mora biti ščitnik pravilno nameščen in tako ustrezno zakrivati kar največ plošče na delu, obrnjenem proti uporabniku.** Ščitnik varuje upravljavca pred odlomljenimi delci plošče, nenamernim stikom s ploščo in iskrami, ki bi lahko povzročile vžig oblačil.
4. **Plošče se lahko uporabljajo le za določene uporabe. Primer: ne uporabljajte jih za brušenje s stransko poslovjivo rezalne plošče.** Abrazivne rezalne plošče so namenjene brušenju z robom rezila. Pri izvajanju bočne sile na te plošče lahko počijo.
5. **Uporabljajte samo nepoškodovane prirobnice plošč, ki po dimenziji in obliki ustrezajo uporabljeni plošči.** Ustrezne prirobnice podpirajo ploščo in zmanjšujejo nevarnost zloma plošče. Prirobnice za rezalne plošče se lahko razlikujejo od prirobnic za brusilne plošče.
6. **Ne uporabljajte izbranih rezalnih plošč, ki ste jih predhodno uporabljali na večjih električnih orodjih.** Plošča večjega električnega orodja ni primerna za višjo hitrost na manjšem orodju in lahko zato počí.
7. **Pri uporabi plošč z dvojnim namenom vedno uporabite pravilni ščitnik za delovno operacijo.** Če ne uporabite pravilnega ščitnika, bo zaščitna lahko prenikza, kar lahko vodi v resne poškodbe.

Dodatna varnostna opozorila posebej za rezanje:

1. **Rezalne plošče ne „blokirate“ ali preobremenjujte. Ne poskušajte zarezati pregloboko.** Preobremenjevanje plošče povečuje možnost zvijanja ali zagozdenja plošče v obdelovancu ter s tem možnost povratnega udarca ali zloma plošče.
2. **Ne postavljajte se v položaje, v katerih ste v primeru povratnega udarca lahko izpostavljeni sunku vrteče se plošče.** Ko se plošča med delovanjem premika stran od vašega telesa, lahko eventualni povratni udarec potisne vrtečo se ploščo in električno orodje naravnost v vas.

3. Če je plošča ovirana ali če iz katerega koli razloga rezanje prekinete, držite električno orodje pri miru, dokler se plošča popolnoma ne ustavi. Nikoli ne skušajte odstraniti rezalne plošče iz obdelovanca, dokler se plošča še vrti. V nasprotnem primeru lahko pride do povratnega udarca. Preverite in odpravite vzrok oviranja plošče.
4. Rezanja ne začnite ponovno v obdelovancu. Najprej počakajte, da plošča doseže polno hitrost, nato pa pazljivo nadaljujte rezanje. Če električno orodje ponovno zaženete v obdelovancu, se lahko plošča zatakne, dvigne iz obdelovanca ali pa pride do povratnega udarca.
5. Pod plošče in velike obdelovance postavite podporo, da zmanjšate možnost zagozdenja rezalne plošče ali povratnega udarca. Veliki obdelovanci se lahko zaradi lastne teže povesijo. Pod obdelovance je treba poleg linije reza in poleg roba obdelovanca na obeh straneh plošče postaviti podporo.
6. Bodite še posebej pozorni, ko v obstoječe zidove ali druge slepe točke izvajate „slepe reze“. Izbočena plošča lahko reže cevi za plin ali vodo, električno napeljavo ali predmete, ki lahko povzročijo povratni udarec.
7. Ne poskušajte delati ukrivljenega reza. Preobremenjevanje plošče povečuje možnost zvižanja ali zagozdenja plošče v rezu ter s tem možnost povratnega udarca ali zloma plošče, kar lahko povzroči hude poškodbe.
8. Pred uporabo segmentirane diamantne rezalne plošče se prepričajte, da ima diamantna rezalna plošča bočni rob med segmenti 10 mm ali manj, vendar z negativnim kotom nagiba.

Varnostna opozorila posebej za peskanje:

1. Uporabljajte papir za peskanje prave velikosti. Pri izbiri papirja za peskanje upoštevajte priporočila proizvajalca. Večji papir za peskanje, ki sega predaleč čez brusno blazinico, predstavlja nevarnost pretрга in lahko povzroči povešanje, trganje plošče ali povratni udarec.
17. Orodja ne uporabljajte na materialih, ki vsebujejo azbest.
18. Ko uporabljate rezalno ploščo, jo vedno uporabljajte s ščitnikom za ploščo za zaščito pred prahom, če to zahtevajo lokalni predpisi.
19. Na rezalne ploščo ne izvajajte bočnega pritiska.

Varnostna opozorila posebej za žično ščetkanje:

1. Žične ščetine lahko odpadajo tudi med običajnim delovanjem. Ne izvajajte čezmernega pritiska na krtačo, da ne preobremenite žic. Žične ščetine enostavno prodrejo v lahka oblačila in/ali kožo.
2. Če je za žično ščetkanje določena uporaba ščitnika, zagotovite, da se žična plošča ali ščetka ne dotika ščitnika. Zaradi obremenitev in centrifugalnih sil se lahko poveča premer žične plošče ali ščetke.
20. Pri delu ne uporabljajte tekstilnih delovnih rokavic. Vlakna iz tekstilnih rokavic lahko prodrejo v orodje, zaradi česar se lahko orodje poškoduje.
21. Pred delom se prepričajte, da se v obdelovancu ne skriva noben predmet, na primer električna, vodovodna ali plinska cev. V nasprotnem primeru lahko to povzroči električni udar, odvajanje elektrike ali uhajanje plina.
22. Če je na ploščo pritrjen vpojni papir, ga ne odstranite. Premer vpojnega papirja mora biti večji od zaskočne matice, zunanje in notranje prirobnice.

Dodatna varnostna opozorila:

1. Pri uporabi brusilne plošče z ugreznjenim centrom vedno uporabljajte samo posebej ojačene ploščo s steklenimi vlakni.
2. S tem brusilnikom NIKOLI NE UPORABLJAJTE plošč za rezanje kamna. Ta brusilnik ni namenjen za uporabo s temi vrstami plošč, saj lahko povzročijo hude telesne poškodbe.
3. Pazite, da ne poškodujete vretena, prirobnice (še posebej na delu, kjer se stika z orodjem) ali zaskočne matice. Poškodba teh delov lahko povzroči zlom plošče.
4. Ko zaženete napravo, brusni nastavek ne sme biti v stiku z obdelovancem.
5. Pred začetkom dela na obdelovancu pustite orodje delovati nekaj časa v prostem teku. Bodite pozorni na morebitne vibracije ali tresljaje, ki bi lahko nakazovali na nepravilno nameščeno oziroma slabo centrirano ploščo.
6. Za brušenje uporabljajte brusni nastavek z ustrezno brusilno površino.
7. Orodja ne pustite delovati brez nadzora. Dovoljeno ga je uporabljati samo ročno.
8. Takoj po končani obdelavi se ne dotikajte obdelovanca; ta je lahko zelo vroč in lahko povzroči opekline kože.
9. Ne dotikajte se dodatne opreme takoj po koncu obdelave, saj je lahko zelo vroča in vas lahko opeče.
10. Za pravilno namestitev in uporabo plošč sledite navodilom proizvajalca. Skrbno ravnajte s ploščami in jih pravilno shranjujte.
11. Ne uporabljajte puš ali adapterjev za prilagoditev velikosti lukenj plošč.
12. Uporabljajte samo prirobnice, ki jih posebej za vaše orodje priporoča proizvajalec.
13. Pri orodjih z navojem preverite, če je navoj plošče primerno dolg, da zajame celotno dolžino vretena.
14. Poskrbite za ustrezno podporo obdelovanca.
15. Preverite, če se plošča vrti tudi potem, ko ste orodje že izklopili.
16. Če je v delovnem prostoru zelo vroče in vlažno ali pa je ta poln prevodnega prahu, uporabite stikalo za diferenčni tok (30 mA) in tako zagotovite varnost upravljalca.
23. Pred namestitvijo brusilne plošče vedno preverite, ali na vpojnem papirju ni neobičajnosti kot so ostružki ali razpoke.
24. Dobro privijte zaskočno matico. Če ploščo preveč privijete, se lahko plošča zlomi, če jo privijete premalo, se lahko tresne.

SHRANITE TA NAVODILA.

⚠ OPOZORILO: NE dovolite, da bi zaradi udobnejšega dela ali znanja o uporabi izdelka (pridobljenega z večkratno uporabo) opustili strogo upoštevanje varnostnih zahtev v okviru pravilne uporabe orodja. ZLORABA ali neupoštevanje varnostnih zahtev v teh navodilih za uporabo lahko povzroči resne telesne poškodbe.

Pomembna varnostna navodila za akumulatorsko baterijo

1. **Pred uporabo baterijskega vložka preberite vsa navodila in opozorilne oznake na (1) polnilniku akumulatorja, (2) akumulatorju in (3) izdelku, ki uporablja akumulator.**
2. **Ne razstavlajte ali spreminjajte akumulatorske baterije.** S tem lahko povzročite požar, prekomerno vročino ali eksplozijo.
3. **Če se je čas delovanja občutno skrajšal, takoj prenehajte uporabljati orodje. V nasprotnem primeru lahko pride do pregretja, morebitnih opeklin in celo eksplozije.**
4. **Če pride elektrolit v stik z očmi, jih sperite s čisto vodo in takoj poiščite zdravniško pomoč. Posledica je lahko izguba vida.**
5. **Ne povzročite kratkega stika baterijskega vložka:**

- (1) Ne dotikajte se priključkov s kakršnim koli prevodnim materialom.
- (2) Izogibajte se shranjevanju baterijskega vložka v vsebniku z drugimi kovinskimi predmeti kot so želblji, kovanci itn.
- (3) Ne izpostavljajte baterijskega vložka vodi ali dežju.

Kratek stik akumulatorja lahko povzroči velik električni tok, pregrevanje, morebitne opeklino in celo okvaro.

6. **Ne shranjujte in uporabljajte orodja in akumulatorske baterije na mestih, kjer lahko temperatura doseže ali preseže 50 °C (122 °F).**
7. **Ne sežigajte baterijskega vložka, tudi če je hudo poškodovan ali v celoti izprazen. Baterijski vložek lahko v ognju eksplodira.**
8. **Ne pribijajte, režite, drobite, mečite, spuščajte akumulatorske baterije oziroma ne udarjajte z akumulatorsko baterijo po trdem predmetu.** Takšno ravnanje lahko povzroči požar, prekomerno vročino ali eksplozijo.
9. **Ne uporabljajte poškodovanih akumulatorjev.**
10. **Priložene litij-ionske baterije ustrezajo zahtevam zakonodaje v zvezi z nevarnim blagom.** Za komercialne prevoze, npr. tiste, ki jih opravljajo tretje stranke in carinski posredniki, je treba upoštevati posebne zahteve v zvezi z embalažo in označevanjem.
Med postopkom priprave na odpremo izdelka se je treba posvetovati s strokovnjakom za nevarne snovi. Pri tem upoštevajte tudi podrobnejše nacionalne predpise.
Odrpte stike oblepite z lepilnim trakom ali jih drugače zaščitite, baterijo pa zapakirajte tako, da se v embalaži ne more premikati.

11. **Ko odstranjujete akumulatorsko baterijo, jo vzemite iz orodja in varno zavrzite. Upoštevajte lokalne uredbe glede odlaganja baterije.**
12. **Baterije uporabljajte le z izdelki, ki jih določí Makita.** Če namestite baterije v neskladne izdelke, lahko pride do požara, pregrevanja, eksplozije ali puščanja elektrolita.
13. **Če orodja dlje časa ne uporabljate, morate iz njega odstraniti baterijo.**
14. **Med uporabo in po uporabi lahko akumulatorska baterija postane vroča in povzroči opeklino. Z vročimi akumulatorskimi baterijami ravnajte pazljivo.**
15. **Ne dotikajte se priključka orodja takoj po uporabi, ker se lahko dovolj segreje, da povzroči opeklino.**
16. **Ne dovolite, da bi se v priključke, odprtine in utore akumulatorske baterije zleplili ostrihki, prah ali zemlja.** To lahko povzroči pregrevanje, požar, razpočenje in okvaro orodja ali akumulatorske baterije ter privede do opeklin ali drugih telesnih poškodb.
17. **Razen če orodje podpira uporabo v bližini visokonapetostnih električnih vodov, akumulatorske baterije ne uporabljajte v bližini visokonapetostnih električnih vodov.** Takšna uporaba lahko povzroči motnje v delovanju ali okvaro orodja oziroma akumulatorske baterije.
18. **Baterijo hranite izven dosega otrok.**

SHRANITE TA NAVODILA.

⚠ POZOR: Uporabljajte le originalne baterije Makita. Če uporabljate neoriginalne baterije Makita ali baterije, ki so bile spremenjene, lahko pride do eksplozije baterije in posledično do požara, telesnih poškodb ali materialne škode. S takšno uporabo boste tudi razveljavili garancijo Makita za orodje in polnilnik Makita.

Nasveti za ohranjanje največje zmogljivosti akumulatorja

1. **Napolnite baterijski vložek, preden se v celoti izprazni. Ko opazite, da ima orodje manjšo moč, vedno ustavite delovanje orodja in napolnite baterijski vložek.**
2. **Nikoli znova ne polnite popolnoma napolnjenega baterijskega vložka. Prenapolnjenje skrajša življenjsko dobo akumulatorja.**
3. **Baterijski vložek s sobno temperaturo polnite pri temperaturi okolja od 10 °C do 40 °C. Počakajte, da se vroč baterijski vložek pred polnjenjem ohladi.**
4. **Ko akumulatorske baterije ne uporabljate, jo odstranite iz orodja ali polnilnika.**
5. **Če baterijskega vložka ne uporabljate dalj časa (več kot 6 mesecev), ga napolnite.**

OPIS DELOVANJA

⚠️ POZOR: Pred nastavljanjem ali preizkusom delovanja orodja se prepričajte, ali je orodje izključeno in ali je akumulatorska baterija odstranjena.

Nameščanje ali odstranjevanje akumulatorske baterije

⚠️ POZOR: Vedno izklopite orodje, preden namestite ali odstranite akumulatorsko baterijo.

⚠️ POZOR: Kadar nameščate ali odstranjujete akumulatorsko baterijo, trdno držite orodje in akumulatorsko baterijo. Če orodja in akumulatorske baterije ne držite trdno, se lahko zgodi, da vam zdrsna iz rok, posledica pa je lahko poškodba orodja in akumulatorske baterije ter telesna poškodba.

► **Sl.1:** 1. Rdeči indikator 2. Gumb 3. Baterijski vložek

Če želite odstraniti akumulatorsko baterijo, jo potisnite iz orodja, pri tem pa pomikajte gumb na sprednji strani vložka.

Akumulatorsko baterijo vstavite tako, da poravnate jeziček na bateriji z utorom na ohišju in jo potisnete v ležišče. Potisnite jo do konca, da se zaskoči. Če vidite rdeči indikator, kot je prikazano na sliki, se akumulatorska baterija ni ustrezno zaskočila.

⚠️ POZOR: Vedno namestite akumulatorsko baterijo tako, da rdeči indikator ni več viden. Če tega ne upoštevate, lahko baterija nepričakovano pade iz orodja in poškoduje vas ali osebe v neposredni bližini.

⚠️ POZOR: Ne nameščajte akumulatorske baterije s silo. Če se akumulatorska baterija ne zaskoči zlahka, ni pravilno vstavljena.

Prikazuje preostalo raven napoljenosti akumulatorja

Samo za akumulatorske baterije z indikatorjem

► **Sl.2:** 1. Indikatorne lučke 2. Gumb za preverjanje

Pritisnite gumb za preverjanje na baterijskem vložku, da preverite raven napoljenosti akumulatorja. Indikatorne lučke na kratko zasvetijo.

Indikatorne lučke			Prikaz preostale ravni napoljenosti
Sveti	Ne sveti	Utripa	
■	□	▬	od 75 % do 100 %
■	■	□	
■	■	□	
■	□	□	
■	□	□	
■	□	□	od 50 % do 75 %
■	□	□	od 25 % do 50 %
■	□	□	od 0 % do 25 %
▬	□	□	Napolnite akumulator.

Indikatorne lučke			Prikaz preostale ravni napoljenosti
Sveti	Ne sveti	Utripa	
■	□	▬	Akumulator je morda okvarjen.
■	■	□	
□	□	■	
□	■	■	

OPOMBA: Odvisno od pogojev uporabe in okoljske temperature se označba lahko nekoliko razlikuje od dejanske napoljenosti.

OPOMBA: Prva opozorilna lučka (skrajno levo) bo utripala, ko sistem za zaščito akumulatorja deluje.

Prikazuje preostalo raven napoljenosti akumulatorja

Odvisno od države

Ko vklopite orodje, indikator akumulatorja prikazuje preostalo zmogljivost akumulatorja.

► **Sl.3:** 1. Indikator akumulatorja

Preostala zmogljivost akumulatorja je prikazana v naslednji tabeli.

Indikator ravni napoljenosti akumulatorja	Prikaz preostale ravni napoljenosti akumulatorja		
Sveti	Ne sveti	Utripa	
■	□	▬	od 50 % do 100 %
■	■	□	od 20 % do 50 %
■	□	□	od 0 % do 20 %
▬	□	□	Napolnite akumulator

Zaščitni sistem orodja/akumulatorja

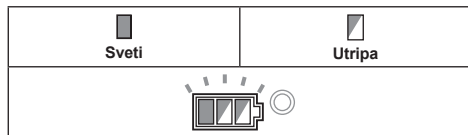
Orodje je opremljeno z zaščitnim sistemom za orodje/akumulator. Sistem samodejno prekine napajanje orodja, da podaljša življenjsko dobo orodja in akumulatorja. Orodje se samodejno zaustavi med delovanjem, če orodje ali akumulator delujeta pod naslednjimi pogoji:

Zaščita pred preobremenitvijo

Kadar orodje uporabljate na način, ki povzroča uporabo neobičajno visokega toka, se orodje samodejno ustavi brez kakršnih koli znakov. V tem primeru izklopite orodje in prenehajte izvajati delo, ki je povzročilo preobremenitev orodja. Nato vklopite orodje in ga znova zaženite.

Zaščita pred pregrevanjem

Če je orodje pregreto, se samodejno ustavi in indikator akumulatorja prikazuje naslednje stanje. V tem primeru počakajte, da se orodje ohladi, preden ga znova vklopite.



Če se orodje ne vklopi, je akumulator morda pregret. V tem primeru pustite, da se akumulator ohladi, preden znova zaženete orodje.

Zaščita pred izpraznjenjem

Ko je zmogljivost akumulatorja prenizka, se orodje samodejno ustavi. V tem primeru odstranite akumulator iz orodja in ga napolnite.

Sproščanje zaščitne zapore

Kadar zaščitni sistem nenehno deluje, je orodje zaklenjeno in indikator akumulatorja prikazuje naslednje stanje.

V tem primeru se orodje ne zažene, tudi če ga izklopite in znova vklopite. Za sprostitev zaščitne zapore odstranite akumulator, nastavite ga na polnilnik akumulatorja in počakajte, dokler se polnjenje ne zaključi.



Zaščita pred drugimi vzroki

Sistem zaščite je zasnovan tudi za druge vzroke, ki bi lahko povzročili poškodbe orodja, in omogoča samodejno ustavitve orodja. Kadar se orodje začasno ustavi ali preneha delovati, izvedite vse naslednje korake, da odpravite vzroke.

1. Izklopite orodje in ga nato vklopite, da ga znova zaženete.
2. Napolnite baterijo ali jo zamenjajte z napolnjeno baterijo (po potrebi ponovite postopek še za drugo baterijo).
3. Počakajte, da se orodje in baterija ohladita.

Če z obnovitvijo sistema zaščite ne odpravite težave, se obrnite na lokalni servisni center Makita.

Zapora vretena

⚠ OPOZORILO: Zapore vretena nikoli ne aktivirajte, ko se vreteno vrti. Lahko povzroči hude telesne poškodbe ali poškodbe orodja.

Pritisnite zaporo vretena, da preprečite vrtenje med nameščanjem ali odstranjevanjem nastavka.

► **SI.4:** 1. Zapora vretena

Delovanje stikala

⚠ POZOR: Pred nameščanjem akumulatorske baterije v orodje se vedno prepričajte, da drsno stikalo pravilno deluje in da se vrača v položaj za izklop „O“, ko ga spustite.

⚠ POZOR: Stikalo lahko zaklenete v položaju za vklop „ON“ za lažje upravljanje med podaljšano uporabo. Bodite previdni pri zaklepanju orodja v položaju za vklop „ON“ in dobro držite orodje.

Za zagon orodja pritisnite zadnji del drsnega stikala, nato pa ga premaknite v položaj „I“. Za neprekinjeno delovanje pritisnite sprednji del drsnega stikala, da ga zapahnete.

► **SI.5:** 1. Drсно stikalo

Za ustavitve orodja pritisnite zadnji del drsnega stikala tako, da ga premaknete v položaj „O“.

► **SI.6:** 1. Drсно stikalo

Funkcija samodejne spremembe hitrosti

► **SI.7:** 1. Indikator načina

Stanje indikatorja načina	Način delovanja
	Način z visoko hitrostjo
	Način z visokim navorom

To orodje lahko deluje v „načinu z visoko hitrostjo“ in „načinu z visokim navorom“. Samodejno spremeni način delovanja glede na delovno obremenitev. Kadar med uporabo zasveti indikator načina, je orodje v načinu z visokim navorom.

Funkcija za preprečevanje nenamernega ponovnega zagona

Ko nameščate akumulatorsko baterijo, medtem ko je stikalo vklopljeno (ON), se orodje ne zažene. Za zagon orodja izklopite stikalo in ga ponovno vklopite.

Tehnologija za aktivno preprečevanje povratnega udarca

Orodje elektronsko zazna, kdaj obstaja tveganje, da se plošča ali dodatna oprema zagodzi. V teh primerih se orodje samodejno izklopi, da se prepreči nadaljnje vrtenje vretena (ne prepreči povratnega udarca). Za ponovni zagon orodja ga najprej izklopite, odstranite razlog nenadnega znižanja hitrosti vrtenja in nato vklopite orodje.

Funkcija mehkega zagona

Funkcija mehkega zagona omili reakcijo pri vžigu.

Električna zavora

Električna zavora se aktivira po izklopu orodja. Zavora ne deluje, kadar je napajanje izklopljeno, npr. ko se akumulator nenamerno odstrani, stikalo pa še vedno vklopljeno.

MONTAŽA

⚠ POZOR: Pred nastavljanjem ali preizkusom delovanja orodja se prepričajte, ali je orodje izključeno in ali je akumulatorska baterija odstranjena.

Nameščanje stranskega ročaja (ročaj)

⚠ POZOR: Pred uporabo se vedno prepričajte, da je stranski ročaj varno nameščen.

Trdno privijte stranski ročaj na orodje, kot je prikazano na sliki.

► **SI.8**

Nameščanje ali odstranjevanje ščitnika (za rezalne plošče z ugreznjenim centrom, zaporne plošče, mehke rezalne plošče, ploščate žične ščetke/abrazivne rezalne plošče, diamantne rezalne plošče)

⚠ OPOZORILO: Kadar uporabljate rezalno ploščo z ugreznjenim centrom, zaporno ploščo, mehko rezalno ploščo ali ploščato žično ščetko, je treba ščitnik namestiti na orodje tako, da je zaprta stran ščitnika vedno obrnjena proti upravljavcu.

⚠ OPOZORILO: Ko uporabljate abrazivne rezalne/diamantne plošče, uporabljajte samo posebni ščitnik, narejeno za uporabo z rezalnimi ploščami.

Za orodje s ščitnikom plošče z blokirnim vijakom

Namestite ščitnik tako, da bodo izbokline na jermenu ščitnika poravnane z zarezami na ležajnem ohišju. Nato zavrtite ščitnik rezalne plošče na takšen kot, da lahko zaščitni upravljavca glede na opravilo. Šestrobi vijak morate trdno zategniti.

Za odstranjevanje ščitnika izvedite postopek namestitve v obratnem vrstnem redu.

► **SI.9:** 1. Ščitnik za plošče 2. Ležajno ohišje 3. Vijak

Za orodje s ščitnikom s spojno ročico

Razahljajte vijak in nato povlecite ročico v smeri puščice. Namestite ščitnik tako, da bodo izbokline na jermenu ščitnika poravnane z zarezami na ležajnem ohišju. Nato zavrtite ščitnik rezalne plošče na takšen kot, da lahko zaščitni upravljavca glede na opravilo.

► **SI.10:** 1. Ščitnik za plošče 2. Ležajno ohišje 3. Vijak 4. Ročica

Povlecite ročico v smeri puščice. Nato pričvrstite vijak in tako privijte ščitnik. Šestrobi vijak morate trdno zategniti. Kot ščitnika lahko prilagodite z ročico.

► **SI.11:** 1. Vijak 2. Ročica

Za odstranjevanje ščitnika izvedite postopek namestitve v obratnem vrstnem redu.

Nastavek ščitnika za rezalne plošče, ki se priprne

Dodatna oprema

OPOMBA: Pri rezanju se lahko s ščitnikom za plošče (za brusilne plošče) uporabi nastavek ščitnika za rezalne plošče, ki se priprne.

Ni na voljo v nekaterih državah.

► **SI.12**

Nameščanje ali odstranjevanje rezalne plošče z ugreznjenim centrom ali zaporne plošče

Dodatna oprema

⚠ OPOZORILO: Kadar uporabljate rezalno ploščo z ugreznjenim centrom ali zaporno ploščo, je treba ščitnik namestiti na orodje tako, da je zaprta stran ščitnika vedno obrnjena proti upravljavcu.

⚠ OPOZORILO: Nastavek notranje prirobnice se mora povsem ujemati z notranjim premerom plošče z ugreznjenim centrom ali zaporno ploščo. Namestitev notranje prirobnice na napačno stran lahko povzroči nevarne vibracije.

Notranjo prirobnico namestite na vreteno.

Pazite, da pritrudite udrti del notranje prirobnice na ravni del na dnu vretena.

Namestite ploščo z ugreznjenim centrom ali zaporno ploščo na notranjo prirobnico in privijte zaskočno matico na vreteno.

► **SI.13:** 1. Zaskočna matica 2. Plošča z ugreznjenim centrom 3. Notranja prirobnica 4. Nastavek

Za zategovanje zaskočne matice trdno pritisnite zaporo vretena, da se vreteno ne more vrteti, nato pa uporabite ključ za zaskočno matico in trdno privijte v smeri urnega kazalca.

► **SI.14:** 1. Ključ za zaskočno matico 2. Zapora vretena

Za odstranjevanje plošče izvedite postopek namestitve v obratnem vrstnem redu.

Namestitev ali odstranitev mehke rezalne plošče

Dodatna oprema

⚠ OPOZORILO: Kadar je na orodju mehka rezalna plošča, vedno uporabljajte priloženi ščitnik. Ščitnik uporabnika varuje pred rezalno ploščo, ki se lahko med delom razleti.

► **SI.15:** 1. Zaskočna matica 2. Mehka rezalna plošča 3. Podporna blazinica 4. Notranja prirobnica

Upošteвайте navodila za plošče z ugreznjenim centrom, vendar na ploščo namestite tudi podporno blazinico.

Namestitev ali odstranitev brusne plošče

Dodatna oprema

OPOMBA: Uporabite ustrezni komplet za glajenje, naveden v navodilih za uporabo. Komplet ni priložen orodju, temveč ga je treba dokupiti.

Za model 100 mm (4")

► **Sl.16:** 1. Zaskočna matica za brušenje 2. Brusna plošča 3. Gumeni nastavek 4. Notranja prirobnica

1. Notranjo prirobnico namestite na vreteno.
2. Namestite gumeni nastavek na vreteno.
3. Namestite ploščo na gumeni nastavek in privijte zaskočno matico na vreteno.
4. Zadržite vreteno z zaporo vretena in čvrsto privijte zaskočno matico za brušenje v smeri urnega kazalca s ključem za zaskočno matico.

Za odstranjevanje plošče izvedite postopek namestitve v obratnem vrstnem redu.

Za modele, ki niso 100 mm (4")

► **Sl.17:** 1. Zaskočna matica za brušenje 2. Brusna plošča 3. Gumeni nastavek

1. Namestite gumeni nastavek na vreteno.
2. Namestite ploščo na gumeni nastavek in privijte zaskočno matico na vreteno.
3. Zadržite vreteno z zaporo vretena in čvrsto privijte zaskočno matico za brušenje v smeri urnega kazalca s ključem za zaskočno matico.

Za odstranjevanje plošče izvedite postopek namestitve v obratnem vrstnem redu.

Nameščanje ali odstranjevanje matice Ezynut

Dodatna oprema

Samo za orodja z navojem vretena M14.

Namestite notranjo prirobnico, abrazivno rezalno ploščo in matico Ezynut na vreteno, tako da je logotip Makita na matici Ezynut obrnjen navzven.

► **Sl.18:** 1. Ezynut 2. Abrazivna plošča 3. Notranja prirobnica 4. Vreteno

Močno pritisnite zaporo vretena in privijte matico Ezynut, tako da zavrtite abrazivno rezalno ploščo v desno do omejlja.

► **Sl.19:** 1. Zapora vretena

Če želite odviti matico Ezynut, odvijte zunanji obroč matice Ezynut v nasprotni smeri urnega kazalca.

OPOMBA: Matico Ezynut lahko odvijete z roko, če je puščica poravnana z zarezo. Sicer boste za odvijanje potrebovali ključ za zaskočno matico. Vstavite en krak ključa v odprtino in zavrtite matico Ezynut v levo.

► **Sl.20:** 1. Puščica 2. Zareza

► **Sl.21**

Namestitev abrazivnih rezalnih/diamantnih rezalnih plošč

Dodatna oprema

▲ OPOZORILO: Ko uporabljate abrazivne rezalne/diamantne plošče, uporabljajte samo posebni ščitnik, narejeno za uporabo z rezalnimi ploščami.

▲ OPOZORILO: NIKOLI ne uporabljajte rezalne plošče za bočno brušenje.

► **Sl.22:** 1. Zaskočna matica 2. Abrazivna rezalna plošča/diamantna plošča 3. Notranja prirobnica 4. Ščitnik za abrazivno/diamantno rezalno ploščo

Kot pri nameščanju tudi tukaj upoštevajte navodila za rezalno ploščo z ugreznjenim centrom. Smer za namestitev zaskočne matice in notranje prirobnice se razlikuje glede na tip in debelino plošče. Glejte spodaj navedene številke.

Za model 100 mm (4")

Pri nameščanju abrazivne rezalne plošče:

► **Sl.23:** 1. Zaskočna matica 2. Abrazivna rezalna plošča (tanjša od 4 mm (5/32")) 3. Abrazivna rezalna plošča (debelina 4 mm (5/32") ali več) 4. Notranja prirobnica

Pri nameščanju diamantne rezalne plošče:

► **Sl.24:** 1. Zaskočna matica 2. Diamantna rezalna plošča (tanjša od 4 mm (5/32")) 3. Diamantna rezalna plošča (debelina 4 mm (5/32") ali več) 4. Notranja prirobnica

Za modele, ki niso 100 mm (4")

Pri nameščanju abrazivne rezalne plošče:

► **Sl.25:** 1. Zaskočna matica 2. Abrazivna rezalna plošča (tanjša od 4 mm (5/32")) 3. Abrazivna rezalna plošča (debelina 4 mm (5/32") ali več) 4. Notranja prirobnica

Pri nameščanju diamantne rezalne plošče:

► **Sl.26:** 1. Zaskočna matica 2. Diamantna rezalna plošča (tanjša od 4 mm (5/32")) 3. Diamantna rezalna plošča (debelina 4 mm (5/32") ali več) 4. Notranja prirobnica

Namestitev lončaste žične ščetke

Dodatna oprema

▲ POZOR: Ne uporabljajte poškodovane ali izrabljene lončaste žične ščetke. Uporaba poškodovane ščetke predstavlja nevarnost poškodb, ki lahko nastanejo zaradi stika z zlomljenimi žicami.

Za lažji dostop do vretena postavite orodje na glavo. Z vretena nato odstranite vse nastavke. Na vreteno namestite lončasto žično ščetko in jo privijte s priloženim ključem.

► **Sl.27:** 1. Lončasta žična ščetka

Namestitev ploščate žične ščetke

Dodatna oprema

⚠ POZOR: Ne uporabljajte poškodovane ali izrabljene ploščate žične ščetke. Uporaba poškodovane ploščate žične ščetke predstavlja nevarnost poškodb, ki lahko nastanejo zaradi stika z zlomljenimi žicami.

⚠ POZOR: Pri uporabi ploščatih žičnih ščetk **VEDNO** namestite ustrezen ščitnik in pri tem **nastavite primerno oddaljenost**. Ščitnik uporabnika varuje pred rezalno ploščo, ki se lahko med delom razleti.

Za lažji dostop do vretena postavite orodje na glavo. Z vretena nato odstranite vse nastavke. Na vreteno namestite ploščato žično ščetko in jo privijte s priloženim ključem.

► **Sl.28:** 1. Ploščata žična ščetka

Nameščanje rezalnika lukenj

Dodatna oprema

Za lažji dostop do vretena postavite orodje na glavo. Z vretena odstranite vso dodatno opremo. Na vreteno namestite rezalnik lukenj in ga privijte s priloženim ključem.

► **Sl.29:** 1. Rezalnik lukenj

Nameščanje ščitnika za plošče za zaščito pred prahom za brušenje

Samo za model **DGA456 / DGA506**

Dodatna oprema

Z dodatno opremo lahko to orodje uporabljate za glajenje betonskih površin.

⚠ POZOR: Ščitnik za plošče za diamantno rezalno ploščo, ki zbira prah, se lahko uporablja samo za glajenje betonskih površin z diamantno rezalno ploščo. Tega ščitnika ne uporabljajte z drugim rezalnim priborom ali za drug namen.

⚠ POZOR: Pred uporabo zagotovite, da je sesalnik za prah povezan z orodjem in vklopljen.

Postavite orodje na glavo in namestite ščitnik za plošče za zaščito pred prahom.

Notranjo priborico namestite na vreteno.

Namestite lončasto diamantno rezalno ploščo na notranjo priborico inategnite zaskočno matico na vreteno.

► **Sl.30:** 1. Zaskočna matica 2. Lončasta diamantna rezalna plošča 3. Središčna lončasta diamantna rezalna plošča 4. Notranja priborica 5. Ščitnik za plošče za zaščito pred prahom 6. Ležajno ohišje

OPOMBA: Za več informacij o namestitvi ščitnika za plošče za zaščito pred prahom glejte navodila za uporabo ščitnika za plošče za zaščito pred prahom.

Nameščanje ščitnika za plošče za zaščito pred prahom za rezanje

Dodatna oprema

Z izbirno dodatno opremo lahko to orodje uporabljate za rezanje kamna.

► **Sl.31**

OPOMBA: Za več informacij o namestitvi ščitnika za plošče za zaščito pred prahom glejte navodila za uporabo ščitnika za plošče za zaščito pred prahom.

UPRAVLJANJE

⚠ OPOZORILO: Nikoli ni potrebno pritiskati orodja. Teža orodja zagotavlja zadosten pritisk. Prisilno in čezmerno pritiskanje lahko povzroči nevaren zlom plošče.

⚠ OPOZORILO: VEDNO zamenjajte ploščo, če vam orodje med brušenjem pade na tla.

⚠ OPOZORILO: Plošče **NIKOLI** ne tolcite ali udarjajte po obdelovancu.

⚠ OPOZORILO: Preprečite poskakovanje in zagozdenje plošče, zlasti med obdelovanjem kotov, ostrih robov itd. To lahko povzroči izgubo nadzora in povratni udarec.

⚠ OPOZORILO: **NIKOLI** ne uporabljajte orodja z rezili za rezanje lesa in drugimi rezili. Takšna rezila lahko pri uporabi z brusilnikom pogosto odskakujejo in povzročijo izgubo nadzora, ki povzroči telesne poškodbe.

⚠ POZOR: Nikoli ne vključite orodja, ko je v stiku z obdelovancem, saj lahko poškoduje upravljavca.

⚠ POZOR: Med delovanjem vedno nosite varovalna očala ali ščitnik obraza.

⚠ POZOR: Po uporabi vedno izklopite orodje in počakajte, da se plošča popolnoma ustavi, preden orodje odložite.

⚠ POZOR: VEDNO trdno držite orodje z eno roko za ohišje in z drugo za stranski ročaj.

OPOMBA: Dvonomenska plošča se lahko uporabi za brušenje in rezanje.

Glejte „Brušenje in peskanje“ za brušenje in glejte „Uporaba z abrazivnimi rezalnimi/diamantnimi ploščami“ za rezanje.

Brušenje

► SI.32

Vklopite stroj in položite rezalno ploščo ali ploščo na obdelovanca.

Na splošno držite rob plošče pod kotom približno 15° na površino obdelovanca.

V času preboja z novo rezalno ploščo brusilnika ne uporabljajte v smeri naprej, saj lahko zareže v obdelovanca. Ko je rob plošče zaobljen zaradi obrabe, lahko ploščo premikate tako v smeri naprej kot tudi v smeri nazaj.

Primer uporabe: uporaba lončaste diamantne rezalne plošče

► SI.33

Orodje naj bo vodoravno in celotno lončasto diamantno rezalno ploščo uporabite na površini obdelovanca.

Uporaba z abrazivnimi rezalnimi/diamantnimi ploščami

Dodatna oprema

⚠ OPOZORILO: Rezalne plošče ne „zagozdite“ ali preobremenite. Ne skušajte narediti preglobokih rezov. Preobremenjevanje plošče povečuje možnost zvijanja ali zagozdenja plošče v obdelovancu ter s tem možnost povratnega udarca ali zloma plošče in pregrevanja motorja.

⚠ OPOZORILO: Rezanje ne začnite v obdelovancu. Najprej počakajte, da plošča doseže polno hitrost, in potem pomaknite orodje naprej po površini obdelovanca. Če začnete z rezanjem v obdelovancu, se lahko ploščica zagozdi, lahko pa nastane tudi povratni udarec.

⚠ OPOZORILO: Med rezanjem ne spreminjajte kota plošče. Bočni pritisk na rezalne ploščo (kot pri brušenju) bo povzročil razpoke in zlom plošče in s tem hude telesne poškodbe.

⚠ OPOZORILO: Diamantne rezalne plošče uporabljajte pravokotno na rezani material.

Primer uporabe: uporaba z abrazivno rezalno ploščo
► SI.34

Primer uporabe: uporaba z diamantno rezalno ploščo
► SI.35

Uporaba lončaste žične ščetke

Dodatna oprema

⚠ POZOR: Preden pričnete z uporabo lončaste žične ščetke, orodje najprej pustite nekaj trenutkov delovati v prostem teku, ob tem pa orodje obrnite stran od morebitnih prisotnih.

OBVESTILO: Ne uporabljajte prekomerne sile, saj lahko v tem primeru pri uporabi lončaste žične ščetke pride do pretiranega upogibanja žic. To lahko povzroči predčasen prelom.

Primer uporabe: uporaba z lončasto žično ščetko
► SI.36

Uporaba ploščate žične ščetke

Dodatna oprema

⚠ POZOR: Preden pričnete z uporabo ploščate žične ščetke, orodje najprej pustite nekaj trenutkov delovati v prostem teku, ob tem pa orodje obrnite stran od morebitnih prisotnih.

OBVESTILO: Ne uporabljajte prekomerne sile, saj lahko v tem primeru pri uporabi ploščate žične ščetke pride do pretiranega upogibanja žic. To lahko povzroči predčasen prelom.

Primer uporabe: uporaba s ploščato žično ščetko
► SI.37

Uporaba z rezalnikom lukenj

Dodatna oprema

⚠ POZOR: Preverite delovanje rezalnika lukenj tako, da pustite delovati orodje brez obremenitve, pri tem pa poskrbite, da se nihče ne nahaja pred rezalnikom lukenj.

OBVESTILO: Med uporabo orodja ne nagibajte. To lahko povzroči predčasen prelom.

Primer uporabe: uporaba z rezalnikom lukenj
► SI.38

VZDRŽEVANJE

⚠ POZOR: Preden se lotite pregledovanja ali vzdrževanja orodja, se vedno prepričajte, da je orodje izklopljeno in akumulatorska baterija odstranjena.

OBVESTILO: Nikoli ne uporabljajte bencina, razredčila, alkohola ali podobnega sredstva. V tem primeru se lahko orodje razbarva ali deformira oziroma lahko nastanejo razpoke.

VARNO in ZANESLJIVO delovanje tega izdelka bo zagotovljeno le, če boste popravila, vzdrževanje in nastavitve prepustili pooblaščenemu servisu za orodja Makita ali tovarniškemu osebju, ki vgrajuje izključno originalne nadomestne dele.

Čiščenje prezračevalnih rež

Orodje in prezračevalne reže morajo biti čiste. Prezračevalne reže orodja čistite redno ali ko so ovirane.

► SI.39: 1. Izpustna reža 2. Vhodna reža

Odstranite protiprašni pokrov s prezračevalnika in ga očistite za nemoteno kroženje zraka.

► SI.40: 1. Protiprašni pokrov

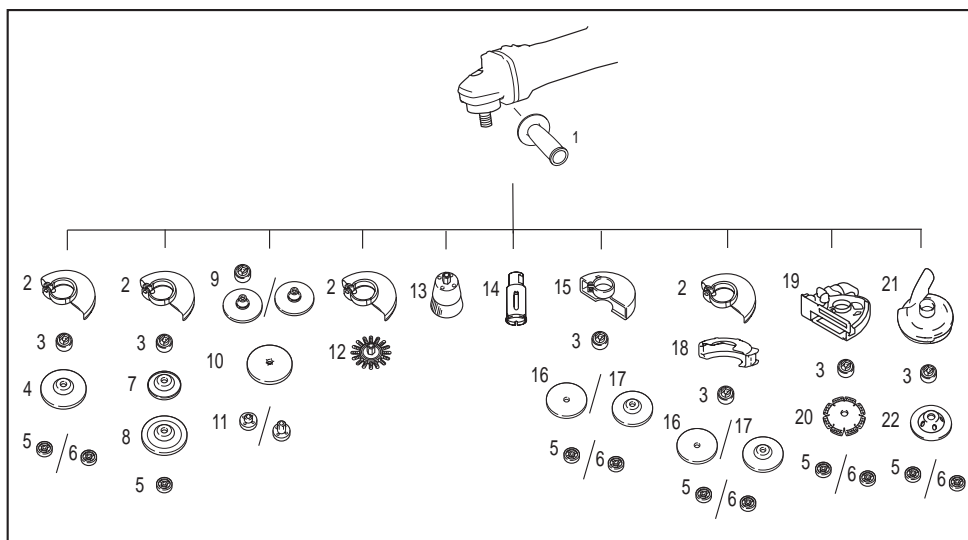
OBVESTILO: Protiprašni pokrov očistite, kadar je zamašen s prahom ali tujki. Z nadaljnjo uporabo z zamašenim protiprašnim pokrovom boste poškodovali orodje.

KOMBINACIJA UPORABE IN DODATNE OPREME

Dodatna oprema

⚠ POZOR: Uporaba orodja z napačnimi ščitniki lahko povzroči tveganja kot sledi.

- Ko uporabljate ščitnik rezalne plošče za obrazno brušenje, lahko ščitnik za plošče vpliva na obdelovanec in povzroči slab nadzor.
- Ko uporabljate ščitnik za brusilno ploščo pri rezanju z vezanimi abrazivnimi ploščami in diamantnimi ploščami, je povečano tveganje za izpostavljenost vrtečim se ploščam, iskram in delcem ter tudi izpostavljenosti največje debeline, če ta počí.
- Ko uporabljate ščitnik za rezalno ploščo ali ščitnik za brusilno ploščo za obrazno delovanje z lončastimi diamantnimi ploščami, lahko ščitnik za plošče vpliva na obdelovanec in povzroči slab nadzor.
- Ko uporabljate ščitnik za rezalno ploščo ali ščitnik za brusilno ploščo s ploščato žično ščetko z debelino, ki je večja od največje debeline, kot je določeno v poglavju „TEHNIČNI PODATKI“, se lahko žice ujamejo na ščitnik, kar povzroči pretrganje žic.
- Uporaba ščitnika za plošče za zaščito pred prahom pri rezanju in obraznem delovanju z betonom ali kamnom zmanjša tveganje izpostavljenosti prahu.
- Ko uporabljate dvonamensko (kombinirano brušenje in abrazivno rezanje) ploščo, pritrjeno s prirobnico, uporabljajte samo ščitnik za rezalno ploščo.



-	Uporaba	Model 100 mm	Model 115 mm	Model 125 mm
1	-	Stranski ročaj		
2	-	Ščitnik (za brusilno ploščo)		
3	-	Notranja prirobnica		
4	Brušenje/peskanje	Rezalna plošča z ugreznjenim centrom/zaporna plošča		
5	-	Zaskočna matica		
6	-	-	Ezynut *1	
7	-	Podporna blazinica		
8	Brušenje	Mehka rezalna plošča		
9	-	Notranja prirobnica in gumeni nastavek 76	Gumeni nastavek 100	Gumeni nastavek 115
10	Peskanje	Brusna plošča		
11	-	Zaskočna matica za brušenje		
12	Žično ščetkanje	Ploščata žična ščetka		
13	Žično ščetkanje	Lončasta žična ščetka		

-	Uporaba	Model 100 mm	Model 115 mm	Model 125 mm
14	Rezanje lukenj	Rezalnik lukenj		
15	-	Ščitnik za plošče (za rezalno ploščo)		
16	Rezanje	Abrazivna rezalna plošča/diamantna plošča		
17	Brušenje/rezanje	Dvonamenska plošča		
18	-	Nastavek ščitnika za rezalne plošče, ki se pripne *2		
19	-	Ščitnik za plošče za zaščito pred prahom pri rezanju *3		
20	Rezanje	Diamantna rezalna plošča		
21	-	-	Ščitnik za plošče za zaščito pred prahom pri brušenju *4	
22	Brušenje	-	Lončasta diamantna rezalna plošča *4	
-	-	Ključ za zaskočno matico		

OPOMBA: *1 Samo za orodja z navojem vretena M14.

OPOMBA: *2 Nastavek ščitnika za rezalne plošče, ki se pripne, ni na voljo v nekaterih državah. Za več podrobnosti glejte navodila za uporabo nastavka ščitnika za rezalne plošče, ki se pripne.

OPOMBA: *3 Za več podrobnosti glejte posamezna navodila za uporabo ščitnika.

OPOMBA: *4 Samo za model DGA456 / DGA506

Za več podrobnosti glejte posamezna navodila za uporabo ščitnika.

DODATNA OPREMA

⚠ POZOR: Ta dodatni pribor ali pripomočki so predvideni za uporabo z orodjem Makita, ki je opisano v teh navodilih za uporabo. Pri uporabi drugega pribora ali pripomočkov obstaja nevarnost telesnih poškodb. Dodatni pribor ali pripomočke uporabljajte samo za navedeni namen.

Za več informacij o dodatni opremi se obrnite na najbližji pooblaščen servis za orodja Makita.

- Originalna akumulator in polnilnik Makita
- Dodatna oprema, navedena v „KOMBINACIJA UPORABE IN DODATNE OPREME“

OPOMBA: Nekateri predmeti na seznamu so lahko priloženi orodju kot standardna dodatna oprema. Lahko se razlikujejo od države do države.

SPECIFIKIMET

Modeli:		DGA406	DGA456	DGA506
Disku i zbatueshëm smerilues	Diametri maks. i diskut	100 mm	115 mm	125 mm
	Trashësia maks. e diskut	6,4 mm	7,2 mm	
Disku i zbatueshëm prerës	Diametri maks. i diskut	105 mm	115 mm	125 mm
	Trashësia maks. e diskut	3,2 mm		
Furça e zbatueshme e diskut me tela	Diametri maks. i diskut	100 mm	115 mm	125 mm
	Trashësia maks. e diskut	20 mm		
Filetimi i boshtit		M10	M14 ose 5/8" (specifike sipas vendit)	
Gjatësia maks. e boshtit		18 mm	23 mm	
Pa shpejtësi ngarkese (n ₀) / Shpejtësia nominale (n)		8 500 min ⁻¹		
Gjatësia totale	me BL1840B	362 mm		
Pesha neto		2,2 - 3,7 kg	2,3 - 3,8 kg	2,4 - 3,8 kg
Tensioni nominal		D.C. 18 V		

- Për shkak të programit tonë të vazhdueshëm të kërkim-zhvillimit, specifikimet që jepen këtu mund të ndryshojnë pa dhënë njoftim.
- Specifikimet mund të ndryshojnë nga njëri shtet në tjetrin.
- Pesha mund të ndryshojë në varësi të aksesorit(ëve), përfshirë kutinë e baterisë. Kombinimi më i lehtë dhe më i rëndë, sipas Procedurës EPTA 01/2014, tregohet në tabelë.

Kutia e aplikueshme e baterisë dhe karikuesi

Kutia e baterisë	BL1815N / BL1820B / BL1830B / BL1840B / BL1850B / BL1860B
Karikuesi	DC18RC / DC18RD / DC18RE / DC18SD / DC18SE / DC18SF / DC18SH / DC18WC

- Disa prej kutive të baterive dhe karikuesve të renditura më lart mund të mos jenë të disponueshme në varësi të zonës ku ju banoni.

⚠ PARALAJMËRIM: Përdorni vetëm kutitë e baterisë dhe karikuesit e listuar më lart. Përdorimi i karikuesve dhe kutive të tjera të baterisë mund të shkaktojë lëndim dhe/ose zjarr.

Rekomandohet burim energjie i lidhur me kordon

Paketë elektrike portative	PDC01
----------------------------	-------

- Burimet e energjisë të lidhura me kordon të listuara më lart mund të mos jenë të disponueshme në varësi të zonës ku banoni.
- Përpara se të përdorni burimin e energjisë të lidhur me kordon, lexoni udhëzimet dhe shënimet e kujdesit në to.

Simbolet



Mos e përdorni mbrojtësen e diskut për veprimeve prerjeje.

Pjesët në vazhdim tregojnë simbolet që mund të përdoren për pajisjen. Sigurohuni që merrni vesh kuptimin e tyre përpara përdorimit.



Lexoni manualin e përdorimit.



Mbani syze mbrojtëse.



Përdoreni gjithnjë me dy duar.



Vetëm për shtetet e BE-së
Për shkak të pranisë së komponentëve të rrezikshëm në pajisje, mbetjet e pajisjeve elektronike dhe elektrike, akumulatorët dhe bateritë, mund të kenë ndikim negativ në mjedis dhe në shëndetin e njerëzve.
Mos i hidhni pajisjet elektrike dhe elektronike ose bateritë me mbetjet shtëpiake!
Në përputhje me Direktivën Evropiane për mbetjet e pajisjeve elektrike dhe elektronike, akumulatorët dhe bateritë, dhe mbetjet e akumulatorëve dhe baterive, si dhe përfshirjen e saj në ligjin kombëtar, mbetjet e pajisjeve elektrike dhe elektronike, akumulatorëve dhe baterive, duhet të mbahen veçmas dhe të dorëzohen në një pikë grumbullimi të veçantë për mbetjet komunale, duke vepruar në përputhje me rregulloret e mbrojtjes së mjedisit.
Kjo tregohet nga simboli i koshit të plehrave me kryq, të vendosur mbi pajisje.

Përdorimi i synuar

Vegla përdoret për të lëmuar, smeriluar, për të fshirë me tela, për të prerë vrimave dhe për të prerë materiale metali dhe guri pa përdorimin e ujit.

Zhurma

Niveli tipik i zhurmës A, i matur sipas EN62841-2-3:

Modeli	Niveli i presionit të zhurmës (L_{pA}): (dB(A))	Niveli i fuqisë së zhurmës (L_{WA}): (dB(A))	Pasiguria (K): (dB(A))
DGA406	83	91	3
DGA456	82	90	3
DGA506	82	90	3

SHËNIM: Vlerat e deklaruar totale të emetimeve të zhurmës janë matur sipas një metode standarde testimi dhe mund të përdoren për të krahasuar një vegël me një tjetër.

SHËNIM: Vlerat e deklaruar të emetimeve të zhurmës mund të përdoren për një vlerësim paraprak të ekspozimit.

⚠️ PARALAJMËRIM: Mbani mbrojtëse për veshët.

⚠️ PARALAJMËRIM: Emetimet e zhurmës gjatë përdorimit aktual të veglës elektrike mund të ndryshojnë nga vlerat e deklaruar në varësi të mënyrave sesi përdoret vegla, veçanërisht nga lloji i materialit të punës që përdoret.

⚠️ PARALAJMËRIM: Vërtetoni që masat e sigurisë për mbrojtjen e përdoruesit bazohen në vlerësimin e ekspozimit ndaj kushteve aktuale të përdorimit (duke marrë parasysh të gjitha pjesët e ciklit të funksionimit si ato kur pajisja është e fikur dhe punon pa prerë ashtu edhe kohën e përdorimit).

⚠️ PARALAJMËRIM: Smerilimi i fletëve të holla metalike ose strukturave të tjera që vibrojnë me lehtësi me një sipërfaqe të madhe mund të rezultojë në emetim total zhurme shumë më të lartë (deri në 15 dB) se sa vlerat e deklaruar të emetimeve të zhurmës.

Vendosni shtroja të rënda fleksibël amortizuese ose të ngjashme nëpër këto materiale pune për t'u penguar emetimin e zhurmës.

Merrni parasysh emetimin e rritur të zhurmave për vlerësimin e rrezikut të ekspozimit ndaj zhurmave dhe zgjedhjes së mbrojtjes adekuate të dëgjimit.

Dridhja

Vlera totale e dridhjeve (shuma e vektorit me tre akse) përcaktohet sipas EN62841-2-3:

Regjimi i punës: lëmim sipërfaqesh me mbajtëse anësore normale

Modeli	Emetimi i dridhjeve ($a_{hv, AG}$): (m/s ²)	Pasiguria (K): (m/s ²)
DGA406	4,5	1,5
DGA456	6,5	1,5
DGA506	6,5	1,5

Regjimi i punës: lëvim sipërfaqesh me mbajtëse anësore kundër dridhjeve

Modeli	Emetimi i dridhjeve ($a_{h, AG}$): (m/s ²)	Pasiguria (K): (m/s ²)
DGA406	4,0	1,5
DGA456	6,0	1,5
DGA506	6,0	1,5

Regjimi i punës: smerilim me disk me mbajtëse anësore normal

Modeli	Emetimi i dridhjeve ($a_{h, DS}$): (m/s ²)	Pasiguria (K): (m/s ²)
DGA406	2,5 m/s ² ose më pak	1,5
DGA456	2,5 m/s ² ose më pak	1,5
DGA506	2,5 m/s ² ose më pak	1,5

Regjimi i punës: smerilim me disk me mbajtëse anësore kundër dridhjeve

Modeli	Emetimi i dridhjeve ($a_{h, DS}$): (m/s ²)	Pasiguria (K): (m/s ²)
DGA406	2,5 m/s ² ose më pak	1,5
DGA456	2,5 m/s ² ose më pak	1,5
DGA506	2,5 m/s ² ose më pak	1,5

SHËNIM: Vlerat e deklaruara totale të dridhjeve janë matur sipas një metode standarde testimi dhe mund të përdoren për të krahasuar një vegël me një tjetër.

SHËNIM: Vlerat e deklaruara totale të dridhjeve mund të përdoren për një vlerësim paraprak të ekspozimit.

⚠ PARALAJMËRIM: Emetimet e dridhjeve gjatë përdorimit aktual të veglës elektrike mund të ndryshojnë nga vlerat e deklaruara në varësi të mënyrave sesi përdoret vegla, veçanërisht nga lloji i materialit të punës që përdoret.

⚠ PARALAJMËRIM: Vërtetoni që masat e sigurisë për mbrojtjen e përdoruesit bazohen në vlerësimin e ekspozimit ndaj kushteve aktuale të përdorimit (duke marrë parasysh të gjitha pjesët e ciklit të funksionimit si ato kur pajisja është e fikur dhe punon pa prerë ashtu edhe kohën e përdorimit).

⚠ PARALAJMËRIM: Vlera e deklaruar e emetimeve të dridhjeve përdoret për aplikacionet kryesore të veglës elektrike. Megjithatë, nëse vegla elektrike përdoret për aplikacione të tjera, vlera e emetimeve të dridhjeve mund të ndryshojë.

Deklarata e konformitetit me KE-në

Vetëm për shtetet evropiane

Deklarata e konformitetit me KE-në përfshihet si Shtojca A në këtë manual përdorimi.

PARALAJMËRIME SIGURIE

Paralajmërimet e përgjithshme për sigurinë e veglës

⚠ PARALAJMËRIM Lexoni të gjitha paralajmërimet për sigurinë, udhëzimet, ilustrimet dhe specifikimet e dhëna me këtë vegël elektrike. Mosndjekja e të gjitha udhëzimeve të renditura më poshtë mund të shkaktojë goditje elektrike, zjarr dhe/ose lëndim të rëndë.

Ruajini të gjitha paralajmërimet dhe udhëzimet për të ardhmen.

Termi "vegël elektrike" në paralajmërimi i referohet veglës elektrike që përdoret e lidhur në prizë (me kordon) ose veglës së përdorur me bateri (pa kordon).

Paralajmërimet për sigurinë e smeriluesit me bateri

Paralajmërimet për sigurinë e zakonshme gjatë proceseve të lëimit, smerilimit, fshirjes me furçë me tela ose prerjes:

1. **Kjo vegël elektrike funksionon si lëmuës, smerilues, furçë teli, prerëse vrimash ose vegël prerëse. Lexoni të gjitha paralajmërimet për sigurinë, udhëzimet, ilustrimet dhe specifikimet e dhëna me këtë vegël elektrike.** Mosndjekja e të gjitha udhëzimeve të renditura më poshtë mund të shkaktojë goditje elektrike, zjarr dhe/ose lëndim të rëndë.
2. **Veprimet si lustrimi nuk duhen kryer me këtë vegël elektrike.** Veprimet për të cilat pajisja elektrike nuk është e përshtatshme mund të krijojnë rrezik dhe të shkaktojnë dëmtime personale.
3. **Mos e konvertoni këtë vegël elektrike që të punojë në mënyrë që nuk është projektuar specifikisht dhe nuk është specifikuar nga prodhuesi i veglës.** Një konvertim i tillë mund të rezultojë në humbjen e kontrollit dhe të shkaktojë lëndim të rëndë personal.
4. **Mos përdorni aksesori që nuk janë projektuar dhe specifikuar nga prodhuesi i veglës.** Fakti që një aksesor mund të montohet në veglën tuaj elektrike, nuk garanton një funksionim të sigurt.

5. **Shpejtësia nominale e aksesorit duhet të jetë minimalisht e barabartë me shpejtësinë maksimale të caktuar në veglën elektrike.** Aksesorët që e tejkalojnë shpejtësinë nominale mund të thyhen dhe të fluturojnë larg.
 6. **Diametri i jashtëm dhe trashësia e aksesorit tuaj duhet të jetë brenda kapacitetit të matur të veglës elektrike.** Aksesorët me përmasa të gabuara nuk mund të mbrohen ose të kontrollohen siç duhet.
 7. **Përmasat e pjesës së montimit të aksesorit duhet të përshtaten me përmasat e pjesës së montimit të veglës elektrike.** Aksesorët që nuk përputhen me pjesën montuese të veglës elektrike do të humbasin ekuilibrin, do të lëkundin jashtë mase dhe mund të shkaktojnë humbjen e kontrollit.
 8. **Mos përdorni aksesorë të dëmtuar. Përpara çdo përdorimi kontrolloni aksesorët si p.sh. disqet smerilues nëse kanë ciflosje dhe krisje, pllakat mbështetëse nëse kanë krisje, gërvishje ose konsumim, fuqçën me tela nëse është liruar ose i janë thyer telat. Nëse pajisja elektrike ose aksesori bie, kontrolloni nëse ka dëmtime ose instaloni një aksesor të padëmtuar. Pas inspektimit dhe instalimit të aksesorëve, si ju ashtu edhe personat e tjerë, qëndroni larg trajektoreve së rrotullimit të aksesorit dhe lëreni elementin elektrik të punojë me shpejtësi maksimale pa ngarkesë për një minutë.** Aksesorët e dëmtuar zakonisht do të shkapëputen nga pajisja gjatë këtij testi.
 9. **Mbani pajisje mbrojtëse personale. Në varësi të përdorimit, përdorni mbrojtëse për fytyrën ose syze sigurie të mëdha ose të vogla. Sipas rastit, mbani maskë kundër pluhurit, mbrojtëse për dëgjimin, doreza dhe një përparëse mbrojtëse të qëndrueshme ndaj copëzave abrazive ose të materialit të punës.** Mbrojtësja e syve duhet të ketë aftësi të ndalojë copat fluturuese që prodhohen nga zbatimet e ndryshme. Maska kundër pluhurit ose respiratore duhet të jetë në gjendje të filtrojë grimcat e prodhuara nga zbatimi përkatës. Ekspozimi për një kohë të gjatë ndaj zhurmave të forta mund të shkaktojë humbjen e dëgjimit.
 10. **Mos i lejoni personat të afrohen në zonën e punës. Kushdo që hyn në zonën e punës duhet të mbajë veshur pajisje mbrojtëse personale.** Copëzat e materialit të punuar ose të një aksesori të thyer mund të fluturojnë larg dhe të shkaktojnë dëmtime përtej zonës ku punohet.
 11. **Mbajeni veglën elektrike vetëm te sipërfaqet kapëse të izoluar kur të jeni duke kryer një veprim në të cilin vegla prëse mund të prekë tela të fshehur.** Prekja e një teli me rrymë do ta përçojë rrymën edhe te pjesët e ekspozuara metalike të veglës elektrike dhe mund të shkaktojë goditje elektrike te punëtorit.
 12. **Mos e lëshoni veglën elektrike nga dora derisa aksesori të ketë ndaluar plotësisht.** Aksesori rrotullues mund të prekë sipërfaqen dhe mund ta nxjerrë veglën elektrike jashtë kontrollit.
 13. **Mos e ndizni veglën elektrike kur jeni duke e mbajtur anash trupin tuaj.** Kontakti aksidental me aksesorin rrotullues mund ta ngeçë atë në rrobta tuaja, duke e tërhequr aksesorin drejt trupit tuaj.
 14. **Pastroni rregullisht vrimat e ajrosjes së veglës elektrike.** Ventilatori i motorit do ta tërheqë pluhurin brenda folesë dhe akumulimi i tepërt i pluhurit të metalit mund të shkaktojë rreziqe elektrike.
 15. **Mos e përdorni veglën elektrike pranë materialeve të ndezshme.** Shkëndijat mund t'i ndezin këto materiale.
 16. **Mos përdorni aksesorë që kërkojnë ftohës të lëngshëm.** Përdorimi i ujit ose i ftohësve të tjerë të lëngshëm mund të rezultojnë në goditje ose në goditje elektrike.
- Zmbrapsja dhe paralajmërimet lidhur me të:**
Zmbrapsja është një reagim i shpejtë që ndodh kur disku prerës, pllaka mbështetëse, fuqça ose çdo aksesori tjetër bllokohet ose ngec. Bllokimi ose ngecja shkaktojnë ndalesë të menjëhershme të aksesorit rrotullues, i cili si pasojë bën që pajisja elektrike e pakontrolluar të shtyhet në drejtimin e kundërt të rrotullimit të aksesorit deri në pikën e lidhjes. Për shembull, nëse disku smerilues ngec ose bllokohet nga materiali i punës, tehu i diskut që hyn në vendin e bllokimit mund të godasë sipërfaqen e materialit duke shkaktuar daljen ose kërcimin e diskut nga vendi. Disku mund të kërcëjë në drejtim të punëtorit ose larg tij, në varësi të drejtimin të lëvizjes së diskut në momentin e bllokimit. Disqet smeriluese mund të thyhen në të tilla kushte. Zmbrapsja është rezultat i keqpërdorimit të veglës elektrike dhe/ose procedurave ose kushteve të pasakta të përdorimit dhe mund të shmanget duke marrë masat e mëposhtme parandaluese.
1. **Mbajeni veglën elektrike fort me të dyja duart dhe vendosni trupin dhe krahët në mënyrë që të pengoni forcat zmbrapëse. Përdorni gjithmonë dorezën ndihmëse, nëse mundësohet, për një kontroll maksimal mbi zmbrapsjen ose reagimin rrotullues gjatë ndezjes.** Përdorimi mund të kontrollojë reagimet rrotulluese ose forcat zmbrapëse, nëse merren masa parandaluese.
 2. **Mos e vini kurrë dorën pranë aksesorit rrotullues.** Aksesori mund të zmbrapset mbi dorën tuaj.
 3. **Mos e poziciononi trupin tuaj në zonën ku vegla elektrike do të lëvizë nëse ndodh zmbrapsja.** Zmbrapsja do ta dërgojë veglën në drejtimin e kundërt të lëvizjes së diskut në pikën e ngecjes.
 4. **Tregoni kujdes të veçantë kur të punoni në cepa, anë të mprehta etj. Shmangni kërcimet dhe ngecjen e aksesorit.** Cepat, anët e mprehta ose kërcimet kanë një tendencë për të shkaktuar ngecjen e aksesorit rrotullues që shkakton humbjen e kontrollit ose zmbrapsjen.
 5. **Mos montoni zinxhir sharre, disk për prerjen e druve, disk të segmentuar diamanti me hapësirë anësore më të madhe se 10 mm ose teh sharre të dhëmbëzuar.** Disqe të tilla krijojnë zmbrapsje të shpeshta dhe humbje të kontrollit.
- Paralajmërimet për sigurinë specifike gjatë veprimeve të lëmimit dhe prerjes:**
1. **Përdorni vetëm llojet e disqeve që janë të specifikuar për veglën tuaj elektrike dhe mbrojtësen specifike të projektuar për diskun e zgjedhur.** Disqet të cilët nuk janë projektuar për veglën elektrike nuk mund të mbrohen dhe nuk janë të sigurta.

2. **Sipërfaqja smeriluese e disqeve të shtypur qendrorë duhet të montohet poshtë rrafshit të buzëve mbrojtëse.** Një disk që është montuar keq dhe që del nga rrafshi i buzëve mbrojtëse, nuk mund të mbrohet siç duhet.
3. **Mbrojtësja duhet të lidhet në mënyrë të sigurt me veglën elektrike dhe të pozicionohet për siguri maksimale, në mënyrë që një pjesë shumë e vogël e diskut të jetë e zbuluar nga përdoruesi.** Mbrojtësja ndihmon në ruajtjen e përdoruesit nga copëzat e thyera të diskut, kontakti aksidental me diskut dhe shkëndijat që mund të ndezin rrobat.
4. **Disqet duhet të përdoren vetëm për përdorimet e specifikuar. Për shembull: mos smeriloni me anën e diskut prerës.** Disqet prerës smerilues janë projektuar për smerilim anësor, forcat anësore të ushtruara mbi këto disqe mund të shkaktojnë thyerjen e tyre.
5. **Përdorni gjithmonë flanaxha disqesh të padëmtuara të madhësisë dhe formës së diskut të zgjedhur.** Fllanxhat e përshtatshme të disqeve mbështesin diskut duke reduktuar mundësinë e thyerjes së tij. Fllanxhat për disqet e prerjes mund të jenë ndryshe nga flanaxhat e disqeve të smerilimit.
6. **Mos përdorni disqe të konsumuara nga pajisje më të mëdha elektrike.** Një disk i projektuar për pajisje më të mëdha elektrike nuk është i përshtatshëm për shpejtësinë e madhe të pajisjes së vogël dhe mund të plasë.
7. **Gjatë përdorimit të disqeve dyfunksionale përdorni gjithnjë mbrojtësen e duhur për zbatimin përkatës.** Mospërdorimi i mbrojtëses së duhur mund të mos ofrojë të njëjtin nivel të dëshiruar mbrojtjeje, që do të mund të çonte në lëndim të rëndë.

Paralajmërimet e mëtejshme për sigurinë specifike gjatë proceseve të prerjes:

1. **Mos e "bllokoni" diskut prerës ose mos aplikoni presion të tepërt mbi të.** Mos provoni të kryeni prerje të thella. Ushtrimi i forcës së tepërt mbi disk rrit ngarkesën dhe ndjeshmërinë ndaj përdredhjeve ose kapjes së diskut gjatë prerjes dhe mundësinë e zbrapsjes ose të thyerjes së diskut.
2. **Mos e poziciononi trupin tuaj në një linjë dhe mbrapa diskut rrotullues.** Kur disku, në pikën e veprimit, po largohet nga trupi juaj, zbrapsja e mundshme mund ta lëshojë diskut prerës dhe veglën elektrike në drejtimin tuaj.
3. **Kur disku kapet ose kur e ndërpriti prerjen për çdo lloj arsyeje, fikeni veglën elektrike dhe mbajeni pa lëvizur derisa disku të ndalojë plotësisht.** Mos tentoni kurrë ta tërhiqni diskut prerës nga vendi i prerjes ndërsa disku është duke lëvizur, përndryshe mund të ndodhë kundërveprimi. Hetoni dhe ndërmerri veprime korigjuese për të eliminuar ngecjen e diskut.
4. **Mos e rifilloni procesin e prerjes në materialin e punës.** Lejoni diskut të arrijë shpejtësinë maksimale dhe futeni sërish me kujdes te vendi i prerjes. Disku mund të kapet, të shkojë lart ose të zbrapsët nëse vegla elektrike rindizet brenda materialit të punës.

5. **Mbështetni panelet ose çdo material pune të madh për të minimizuar rrezikun e bllokimit dhe të zbrapsjes së diskut.** Materialet e mëdha të punës kanë tendencë të përkulen nga pesha e tyre. Mbështetëset duhet të vendosen poshtë materialit të punës pranë vijës së prerjes dhe buzës së materialit të punës nga të dyja anët e diskut.
6. **Tregoni kujdes të veçantë kur të bëni një "prerje në xhep" mbi muret ekzistuese ose në zona të tjera me shikim të kufizuar.** Disku i dalë mund të presë tuba gazi ose uji, tela elektrikë ose objekte që shkaktojnë zbrapsje.
7. **Mos u përipiqi të bëni prerje me hark.** Ushtrimi i forcës së tepërt mbi disk rrit ngarkesën dhe ndjeshmërinë ndaj përdredhjeve ose kapjes së diskut gjatë prerjes dhe mundësinë e zbrapsjes ose të thyerjes së diskut, që mund të shkaktojë lëndim të rëndë.
8. **Përpara se të përdorni fletë të segmentuar diamanti, sigurohuni që fleta e diamantit të ketë hapësirë anësore prej 10 mm ose më pak ndërmjet segmenteve, vetëm me kënd negativ pjerrëse.**

Paralajmërimet për sigurinë specifike për veprimet e smerilimit:

1. **Përdorni letër disku smerilimi me përmasa të përshtatshme.** Ndiqni rekomandimet e prodhuesve kur të zgjidhni letrën smerile. Letra smerile shumë përtej mbështetëses së rrotës krijon rrezik dëmtimi dhe mund të shkaktojë ngecjen, thyerjen ose kundërveprimin e diskut.

Paralajmërimet për sigurinë specifike për veprimet e fshirjes me tela:

1. **Kini parasysh se qimet e forta të telit shkëputen nga furça edhe gjatë funksioneve të zakonshme.** Mos i sforconi telat duke ushtruar forcë mbi furçën. Qimet e forta të telit mund të depërtojnë në rrobat e holla dhe/ose në lëkurë.
2. **Nëse specifikohet përdorimi i një mbrojtëseje për fshirjen me tela, mos lejoni ndërhyrje të diskut ose furçës së telit të mbrojtësja.** Disku ose furça e telit mund të zgjerohet në diametër nga ngarkesa e punës dhe forcat centrifugale.

Paralajmërimet shtesë mbi sigurinë:

1. **Kur të përdorni disqe lëmuese me qendër të shtypur, sigurohuni të përdorni vetëm disqe të përforcuara me fibër qelqi.**
2. **KURRË MOS PËRDORNI disqe të llojit Stone Cup me këtë lëmues.** Ky lëmues nuk është projektuar për këto lloje disqesh dhe përdorimi i këtij produkti mund të shkaktojë dëmtime personale.
3. **Tregoni kujdes se mos dëmtoni boshtin, flanaxhën (sidomos sipërfaqen e instalueshme) ose dadon e bllokimit.** Dëmtimi i këtyre pjesëve mund të shkaktojë thyerjen e diskut.
4. **Sigurohuni që disku nuk e prek materialin e punës përpara se të ndizet çelësi.**
5. **Përpara se të përdorni veglën mbi një material aktual, lëreni të punojë për ca kohë.** Tregoni kujdes për dridhjet ose lëkundjet që dëshmojnë për një instalim të gabuar ose një disk jo në ekuilibër.

6. Përdorni sipërfaqen e specifikuar të diskut për të kryer lëvimin.
7. Mos e lini veglën të ndezur. Përdoreni veglën vetëm duke e mbajtur në dorë.
8. Mos e prekni materialin e punës menjëherë pas punës; mund të jetë shumë i nxehtë dhe mund t'ju djegë lëkurën.
9. Mos i prekni aksesorët menjëherë pas punës; mund të jenë shumë të nxehtë dhe mund t'ju djegin lëkurën.
10. Shihni udhëzimet e prodhuesit për montimin dhe përdorimin e saktë të disqeve. Trajtojini dhe ruajini disqet me kujdes.
11. Mos përdorni unaza zvogëluese ose reduktorë për të përshtatur disqet abrazive me vrimë të madhe.
12. Përdorni vetëm flanxha specifike për këtë vegël.
13. Për veglat që do të punojnë me disqe që kanë vrimë të filetuar, sigurohuni që fileta në disk të jetë aq e gjatë sa të pranojë të gjithë boshtin.
14. Kontrolloni që materiali i punës është mbështetur siç duhet.
15. Tregtoni kujdes, sepse disku vazhdon rrotullimin edhe pasi të jetë fikur vegla.
16. Nëse ambienti i punës është shumë i nxehtë dhe me lagështirë ose i ndotur shumë me pluhur të përcueshëm, përdorni një ndërprerës qarku (30 mA) për të siguruar përdoruesin.
17. Mos e përdorni veglën mbi materiale që përbajnë asbest.
18. Kur përdorni disk prerës, gjithmonë punoni me mbrojtësen e diskut për grumbullimin e pluhurit nëse kërkohet nga rregullat vendase.
19. Mbi disqet prerës nuk duhet të ushtrohet forcë anësore.
20. Mos përdorni doreza pune prej lecke gjatë punës. Fibrat e dorezave prej lecke mund të futen te vegla, gjë e cila shkakton prishjen e veglës.
21. Përpara përdorimit, sigurohuni që në materialin e punës nuk ka objekte të futura, si p.sh. tuba elektrike, tuba uji ose gazi. Ndryshe, mund të shkaktojë goditje elektrike, rrjedhje elektrike ose rrjedhje gazi.
22. Nëse disku ka rondelë të montuar, mos e hiqni. Diametri i rondelës duhet të jetë më i madh se i dados së kyçjes, flanxhës së jashtme dhe flanxhës së brendshme.
23. Përpara instalimit të një disku lëmuës, kontrolloni gjithmonë që pjesa e rondelës të mos ketë anomali, si p.sh. ciflosje ose krisje.
24. Shtrëngojeni mirë dadon e kyçjes. Mbishtrëngimi i diskut mund të shkaktojë dëmtim dhe shtrëngimi i pamjaftueshëm mund të shkaktojë xhoko.

RUAJINI KËTO UDHËZIME.

▲ PARALAJMËRIM: MOS lejoni që njohja ose familjarizimi me produktin (të fituara nga përdorimi i shpeshtë) të zëvendësojnë zbatimin me përpikëri të rregullave të sigurisë për produktin në fjalë. KEQPËRDORIMI ose mosndjekja e rregullave të sigurisë të dhëna në këtë manual përdorimi mund të shkaktojë dëmtime të rënda personale.

Udhëzime të rëndësishme rreth sigurisë për kutinë e baterisë

1. Përpara se ta përdorni kutinë e baterisë, lexoni të gjitha udhëzimet dhe shënimet e masave parandaluese të (1) ngarkuesi i baterisë, (2) bateria dhe (3) produkti që përdor baterinë.
2. Mos e gmontoni ose dëmtoni kutinë e baterisë. Kjo mund të shkaktojë zjarr, nxehtësi të lartë ose shpërthim.
3. Nëse koha e përdorimit është shkurtuar jashtë mase, ndalojeni punën menjëherë. Kjo mund të rezultojë në rrezik mbinxehjeje, djegie të mundshme, madje edhe shpërthim.
4. Nëse ju futen elektrolitit në sy, shpëlajini sytë me ujë të pastër dhe kërkoni ndihmë mjekësore menjëherë. Kjo gjë mund të rezultojë në humbje të shikimit.
5. Mos bëni lidhje të shkurtër me kutinë e baterisë:
 - (1) Mos i prekni terminalet me materiale përcjellëse.
 - (2) Shmangni ruajtjen e kutisë së baterisë në një kuti me objekte të tjera metalike, si gozhdë, monedha etj.
 - (3) Mos e ekspozoni kutinë e baterisë në ujë ose shi.
- Qarku i shkurtër i baterisë mund të shkaktojë qarkullim të madh të rrymës elektrike, mbinxehje, djegie të mundshme dhe madje prishje.
6. Mos e ruani dhe mos e përdorni pajisjen dhe kutinë e baterisë në vende ku temperatura mund të arrijë ose tejkalojë 50 °C (122 °F).
7. Mos e digjni kutinë e baterisë, edhe nëse është shumë e dëmtuar ose është konsumuar plotësisht. Kutia e baterisë mund të shpërthejë në zjarr.
8. Mos e shponi, pritni, shtypni, hidhni apo rrëzoni kutinë e baterisë apo ta goditni kutinë e baterisë me një objekt të fortë. Një sjellje e tillë mund të shkaktojë zjarr, nxehtësi të lartë ose shpërthim.
9. Mos përdorni bateri të dëmtuar.
10. Bateritë e përfshira të litiumit, u nënshtrohen kërkesave të legjislatimit për mallrat e rrezikshme. Për transport tregtar p.sh. nga palë të treta, agentë të ndërmjetëm, duhet të ndiqni kërkesa specifike mbi paketimin dhe etiketimin. Për përgatitjen e artikullit për transport, është i nevojshëm konsulti i një eksperti për materiale të rrezikshme. Ju lutemi, ndiqni gjithashtu rregulloret me gjasë më të detajuara vendore. Mbuloni me ngjithëse ose maskoni kontaktet e zhveshura dhe paketojeni baterinë në mënyrë të tillë që të mos lëvizë në paketim.
11. Kur hidhni kutinë e baterisë, hiqeni nga vegla dhe hidhni në një vend të sigurt. Zbatoni rregulloret lokale rreth hedhjes së baterisë.

12. Përdorini bateritë vetëm me produktet e specifikuar nga Makita. Instalimi i baterive në produkte të papajtueshme mund të rezultojë në zjarr, nxehtësi të lartë, shpërthim ose rrjedhje të elektroliteve.
13. Nëse vegla nuk përdoret për një periudhë të gjatë kohe, bateria duhet të hiqet nga vegla.
14. Gjatë dhe pas përdorimit, kutia e baterisë mund të nxehet, gjë që mund të shkaktojë djegie ose djegie në temperaturë të ulët. Tregoni kujdes gjatë manovrimit të kutive të nxehta të baterive.
15. Mos prekni terminalin e veglës menjëherë pas përdorimit pasi mund të nxehet aq shumë sa të shkaktojë djegie.
16. Mos lejoni që grumbullimin e ashklave, pluhurave ose papastërtive në terminalet, vrimat ose kanalet e kutisë së baterisë. Mund të shkaktojë ngrohje, marrje flakë, plasje dhe avari të veglës ose të kutisë së baterisë, duke rezultuar në djegie ose lëndime personale.
17. Përveç kur vegla e mbështet përdorimin pranë linjave elektrike me voltazh të lartë, mos e përdorni kutinë e baterisë pranë linjave elektrike me voltazh të lartë. Kjo mund të shkaktojë një defekt ose dëmtim të veglës ose të kutisë së baterisë.
18. Mbajeni baterinë larg fëmijëve.

RUAJINI KËTO UDHËZIME.

▲KUJDES: Përdorni vetëm bateri origjinale Makita. Përdorimi i baterive jo-origjinale Makita ose baterive që mund të jenë modifikuar, mund të rezultojë në marrjen flakë të baterisë, lëndime personale apo dëmtime. Kjo do të anulohet gjithashtu edhe garancinë e Makita-s për veglën e Makita-s dhe ngarkuesin.

Këshilla për të ruajtur jetëgjatësinë maksimale të baterisë

1. Ngarkojeni baterinë përpara se të shkarkohet plotësisht. Gjithmonë ndaloni punën me pajisjen dhe ngarkoni baterinë kur vëreni ulje të fuqisë së pajisjes.
2. Asnjëherë mos e ringarkoni baterinë e ngarkuar plotësisht. Mbingarkimi shkurton jetëgjatësinë e shërbimit të baterisë.
3. Ngarkojeni baterinë në temperaturën e dhomës në 10 °C - 40 °C. Lëreni kutinë e nxehtë të baterisë të ftohet përpara se ta ngarkoni atë.
4. Kur nuk e përdorni kutinë e baterisë, hiqeni atë nga vegla ose karikuesi.
5. Ngarkojeni baterinë nëse nuk e përdorni për një kohë të gjatë (mbi gjashtë muaj).

PËRSHKRIMI I PUNËS

▲KUJDES: Sigurohuni gjithmonë që vegla të jetë e fikur dhe kutia e baterisë të jetë hequr përpara se ta rregulloni apo t'i kontrolloni funksionet e veglës.

Instalimi ose heqja e kutisë së baterisë

▲KUJDES: Fikeni gjithmonë veglën përpara se të instaloni ose hiqni kutinë e baterisë.

▲KUJDES: Mbajeni fort veglën dhe kutinë e baterisë kur montoni ose hiqni kutinë e baterisë.

Mosmbajtja fort e veglës dhe e kutisë së baterisë mund të bëjë që t'ju rreshqasin nga duart dhe të shkaktojë dëmtim të veglës dhe të kutisë së baterisë, si dhe lëndim personal.

► Fig.1: 1. Treguesi i kuq 2. Butoni 3. Kutia e baterisë

Për të hequr kutinë e baterisë, rreshqiteni atë nga vegla ndërsa rreshqisni butonin në pjesën e përparme të kutisë së baterisë.

Për të vendosur kutinë e baterisë, bashkërendisni gjuhëzën e kutisë së baterisë me kanalën e folesë dhe rreshqiteni për ta futur. Futni deri në fund, derisa të kërcasë dhe të bllokohet në vend. Nëse shikoni treguesin e kuq siç tregohet në figurë, nuk është e bllokuar plotësisht.

▲KUJDES: Vendoseni gjithnjë plotësisht kutinë e baterisë derisa treguesi i kuq të mos duket. Në të kundërt, ajo mund të bjerë aksidentalisht nga vegla duke ju lënduar juve ose personin pranë jush.















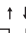


▲KUJDES: Mos e vendosni me forcë kutinë e baterisë. Nëse kutia nuk hyn lehtë, nuk po e futni siç duhet.

Treguesi i kapacitetit të mbetur të baterive

Vetëm për kuti baterie me llambë

► Fig.2: 1. Llambat treguese 2. Butoni i kontrollit

Shtypni butonin e kontrollit në kutinë e baterisë për të treguar kapacitetin e mbetur të baterisë. Llambat treguese ndizen për pak sekonda.

Llambat treguese			Kapaciteti i mbetur
 Ndezur	 Fikur	 Duke pulsuar	
			75% deri 100%
			50% deri 75%
			25% deri 50%
			0% deri 25%
			Ngarkojeni baterinë.
			Llambushka mund të ketë keqfunksionuar.
			

SHËNIM: Në varësi të kushteve të përdorimit dhe të temperaturës së ambientit, treguesi mund të ndryshojë paksa nga kapaciteti aktual.

SHËNIM: Llamba e parë e treguesit (në fund majtas) do të pulsojë kur sistemi i mbrojtjes së baterisë është në punë.

Treguesi i kapacitetit të mbetur të baterive

Sipas shtetit

Kur ndizni veglën, treguesi i baterisë tregon kapacitetin e mbetur të baterisë.

► **Fig.3:** 1. Treguesi i baterisë

Kapaciteti i mbetur i baterisë tregohet në tabelën e mëposhtme.

Gjendja e treguesit të baterisë			Kapaciteti i mbetur i baterisë
Ndezur	Fikur	Duke pulsuar	
			50% deri 100%
			20% deri 50%
			0% deri 20%
			Ngarkojeni baterinë

Sistemi i mbrojtjes së veglës/baterisë

Vegla është e pajisur me një sistem të mbrojtjes së veglës/baterisë. Ky sistem ndërpret automatikisht energjinë në motor për të zgjatur jetëgjatësinë e veglës dhe baterisë. Vegla do të ndalojë automatikisht gjatë punës nëse vegla ose bateria janë vendosur sipas një prej kushteve të mëposhtme:

Mbrojtja nga mbingarkesa

Kur vegla vihet në punë në një mënyrë që e bën atë të tërheqë një korrent më të lartë nga normalja, vegla fiket automatikisht pa dhënë asnjë shenjë. Në këtë situatë, fikeni veglën dhe ndaloni punën që shkaktoi mbingarkesën e veglës. Pastaj ndizeni veglën për ta rinisur.

Mbrojtja ndaj mbinxehjes

Kur vegla mbinxehet, ajo ndalon automatikisht dhe treguesi i baterisë tregon gjendjen e mëposhtme. Në këtë situatë, lëreni veglën të ftohet përpara se ta ndizni sërish.

Ndezur	Duke pulsuar

Nëse vegla nuk ndizet, bateria mund të jetë mbinxehur. Në këtë situatë, lëreni baterinë të ftohet përpara se ta ndizni sërish veglën.

Mbrojtja nga mbishkarkimi

Kur kapaciteti i baterisë nuk është i mjaftueshëm, vegla ndalon automatikisht. Në këtë rast, hiqeni baterinë nga vegla dhe ngarkojeni.

Lëshimi i bllokimit të mbrojtjes

Kur sistemi i mbrojtjes punon pa ndërprerje, vegla bllokohet dhe treguesi i baterisë tregon gjendjen e mëposhtme. Në këtë situatë, vegla nuk ndizet edhe nëse e ndizni ose e fikni veglën. Për të lëshuar bllokimin e mbrojtjes, hiqni baterinë, vendoseni në ngarkuesin e baterive dhe prisni derisa të mbarojë ngarkimi.

Ndezur	Fikur	Duke pulsuar

Mbrojtjet nga shkaqe të tjera

Sistemi i mbrojtjes është menduar edhe për shkaqe të tjera që mund ta dëmtojnë veglën dhe i lejon veglës të ndalojë automatikisht. Ndërmerni të gjitha hapat e mëposhtëm për të zgjidhur rastet, kur vegla ka arritur në ndalim të përkohshëm apo ndërprerje të punës.

1. Fikeni veglën dhe pastaj rindizeni për të rifilluar.
2. Karikoni bateritë ose ndërrojini me bateri të karikuara.
3. Lëreni veglën dhe bateritë të ftohen.

Nëse nuk vini re ndonjë përmirësim me rivendosjen e sistemit të mbrojtjes, kontaktoni qendrën vendore të shërbimit të Makita.

Bllokuesi i boshtit

▲ PARALAJMËRIM: Mos e aktivizoni kurrë bllokimin e boshtit kur boshti është në rrotullim. Mund të shkaktojë lëndim ose dëmtim të veglës.

Shtypni bllokimin e boshtit për të parandaluar rrotullimin e boshtit gjatë instalimit apo heqjes së aksesorëve.

► **Fig.4:** 1. Bllokuesi i boshtit

Veprimi i ndërrimit

▲ KUJDES: Përpara se ta vendosni kutinë e baterisë në vegël, kontrolloni gjithmonë nëse çelësi i rrëshqitjes është në pozicionin e duhur dhe nëse kthehet në pozicionin "FIKUR" kur shtypet pjesa e pasme e çelësit të rrëshqitjes.

▲ KUJDES: Çelësi mund të bllokohet në pozicionin "NDEZUR" për lehtësi të përdoruesit gjatë përdorimit të zgjatur. Bëni kujdes kur bllokoni veglën në pozicionin "NDEZUR" dhe shtrengojeni mirë veglën.

Për të ndezur veglën, shtypni fundin e pasmë të çelësit rrëshqitës e më pas rrëshqiteni drejt pozicionit "I (ndezur)". Për punë të vazhdueshme, shtypni pjesën e përparme fundore të çelësit rrëshqitës për ta bllokuar.



► **Fig.5:** 1. Çelësi me rrëshqitje

Për ta ndaluar veglën, shtypni pjesën e pasme fundore të çelësit rrëshqitës, në mënyrë që të kthehet në pozicionin "O (fikur)".

► **Fig.6:** 1. Çelësi me rrëshqitje

Funksioni i ndryshimit automatik të shpejtësisë

► Fig.7: 1. Treguesi i regjimit

Gjendja e treguesit të regjimit	Regjimi i funksionimit
	Regjimi i shpejtësisë së lartë
	Regjimi i forcës së lartë rrotulluese

Kjo vegël ka “regjimin e shpejtësisë së lartë” dhe “regjimin e forcës së lartë rrotulluese”. Ajo e ndryshon regjimin e punës në mënyrë automatike në varësi të ngarkesës së punës. Kur treguesi i modalitetit ndizet gjatë punës, vegla është në modalitetin e forcës rrotulluese të lartë.

Funksioni parandalues për rindezjen e paqëllimshme

Kur instaloni kutinë e baterisë ndërkohë që çelësi është në pozicionin NDEZUR, vegla nuk ndizet. Për të ndezur veglën, fikeni çelësin dhe ndizeni sërish.

Teknologjia e ndjesisë së reagimit aktiv

Vegla dikton elektronikisht situatat kur disku apo aksesori mund të kenë rrezik të lidhen. Në raste të tilla, vegla fiket automatikisht për të evituar rrotullimin e mëtejshëm të boshtit (nuk parandalon zbrapsjen). Për ta rindezur veglën, fikeni përpara, eliminoni shkaku dhe rënies së befte të shpejtësisë së rrotullimit dhe ndizeni veglën.

Veçoria e ndezjes së ngadalhtë

Veçoria e ndezjes së ngadalhtë redukton reagimin gjatë ndezjes.

Freni elektrik

Freni elektrik aktivizohet pas fikjes së veglës. Freni nuk funksionon kur nuk ka furnizim me energji, p.sh. kur bateria hiqet aksidentalisht, me çelësin ende të aktivizuar.

MONTIMI

▲KUJDES: Sigurohuni gjithmonë që vegla të jetë e fikur dhe kutia e baterisë të jetë hequr përpara se ta rregulloni apo t’i kontrolloni funksionet e veglës.

Instalimi i mbajtëses (dorzës) anësore

▲KUJDES: Sigurohuni gjithnjë që mbajtësja anësore është instaluar siç duhet përpara përdorimit.

Vidhoseni mirë mbajtësen anësore në pozicionin e veglës siç tregohet në figurë.

► Fig.8

Instalimi ose heqja e mbrojtëses së diskut (për disk me qendër të shtypur, disk me kënd, disk fleksibël, disk me furçë me tela / disk prerës smeril, disk diamanti)

▲PARALAJMËRIM: Kur përdorni disk me qendër të shtypur, disk me kënd, disk fleksibël ose disk me furçë me tela, mbrojtësja e diskut duhet të përshtatet në vegël në mënyrë të tillë që ana e mbyllur e mbrojtëses të jetë gjithmonë e drejtuar nga përdoruesi.

▲PARALAJMËRIM: Kur përdorni disk smeril prerës / diamanti, sigurohuni të përdorni vetëm mbrojtësen e posaçme të diskut të projektuar për përdorim me disqe prerëse.

Për vegla me mbrojtëse disku të llojit me vidë bllokuese

Montojeni mbrojtësen e diskut me të dalat e rripit të mbrojtëses së diskut të bashkërenditur me dhëmbëzat e kutisë mbajtëse. Në vijim rrotullojeni mbrojtësen e diskut në kënd të atillë që të mund ta mbrojë përdoruesin sipas punës që kryhet. Sigurohuni që ta shtrëngoni mirë vidën.

Për ta hequr mbrojtësen e diskut, ndiqni procedurën e anasjellë të instalimit.

► Fig.9: 1. Mbrojtësja e diskut 2. Kutia mbajtëse 3. Vida

Për vegël me mbrojtëse disku të llojit me levë mbërthyes

Lironi vidën dhe pastaj tërhiqeni levën në drejtimin e shigjetës. Montojeni mbrojtësen e diskut me të dalat e rripit të mbrojtëses së diskut të bashkërenditur me dhëmbëzat e kutisë mbajtëse. Në vijim rrotullojeni mbrojtësen e diskut në kënd të atillë që të mund ta mbrojë përdoruesin sipas punës që kryhet.

► Fig.10: 1. Mbrojtësja e diskut 2. Kutia mbajtëse 3. Vida 4. Leva

Tërhiqeni levën në drejtim të shigjetës. Më pas fiksoni mbrojtësen e diskut duke shtrënguar vidën. Sigurohuni që ta shtrëngoni mirë vidën. Këndi i qëndrimit të mbrojtëses së diskut mund të rregullohet nëpërmjet levës.

► Fig.11: 1. Vida 2. Leva

Për ta hequr mbrojtësen e diskut, ndiqni procedurën e anasjellë të instalimit.

Aksesori i mbrojtëses së diskut prerës me kapëse

Aksesorë opsionalë

SHËNIM: Për procese prerjeje, mund të përdoret një aksesori mbrojtëseje disku prerës me kapëse me mbrojtësen e diskut (për diskut smerilues). Nuk disponohet në disa vende.

► Fig.12

Instalimi ose heqja e diskut me qendër të shtypur ose diskut me kënd

Aksesorë opsionalë

▲ PARALAJMËRIM: Kur përdorni disk me qendër të shtypur ose disk me kënd, mbrojtësja e diskut duhet të përshatet në vegël në mënyrë të tillë që ana e mbyllur e mbrojtëses të tregojë gjithnjë nga përdoruesi.

▲ PARALAJMËRIM: Sigurohuni që pjesa e montimit të flanxhës së brendshme të përputhet me diametrin e brendshëm të diskut me qendër të shtypur / diskut me kënd. Montimi i flanxhës së brendshme në anën e gabuar mund të shkaktojë dridhje të rrezikshme.

Montoni flanxhën e brendshme në bosht.

Sigurohuni që pjesën e dhëmbëzuar të flanxhës së brendshme ta vendosni mbi pjesën e drejtë poshtë boshtit.

Futni diskut me qendër të shtypur / diskut me kënd në flanxhën e brendshme dhe vidhosni dadon bllokuese te boshti.

► **Fig.13:** 1. Dado e kyçjes 2. Disk me qendër të shtypur 3. Flanxha e brendshme 4. Pjesa e montimit

Për ta shtrënguar dadon bllokuese, shtypni bllokimin e boshtit aq fort sa boshti të mos rrotullohet më, pastaj përdorni çelësin e dados së bllokimit dhe shtrëngojeni mirë në drejtim të akrepave të orës.

► **Fig.14:** 1. Çelësi i dados së bllokimit 2. Bllokuesi i boshtit

Për ta hequr diskut, ndiqni procedurën e anasjellë të instalimit.

Instalimi ose heqja e diskut fleksibël

Aksesorë opsionalë

▲ PARALAJMËRIM: Përdorni gjithmonë mbrojtësen e dhënë me veglën kur disku fleksibël është i vendosur mbi vegël. Disku mund të thyhet gjatë përdorimit dhe mbrojtësja ndihmon në uljen e mundësive për lëndime personale.

► **Fig.15:** 1. Dado e kyçjes 2. Disku fleksibël 3. Pllaka rezervë 4. Flanxha e brendshme

Ndiqni udhëzimet për diskut me qendër të shtypur, por përdorni edhe pllakën rezervë mbi disk.

Instalimi ose heqja e diskut abraziv

Aksesorë opsionalë

SHËNIM: Përdorni vetëm aksesorët rektifikues të përcaktuar në këtë manual. Këto duhet të blihen në vete.

Për modelin 100 mm (4")

► **Fig.16:** 1. Dadoja bllokuese 2. Disk smerilimi 3. Blloku prej gome 4. Flanxha e brendshme

1. Montoni flanxhën e brendshme në bosht.
2. Montoni bllokun e gomës në bosht.
3. Futni diskut në pllakën prej gome dhe vidhosni dadon bllokuese në bosht.
4. Mbjajeni boshtin me bllokuesin e boshtit, dhe shtrëngoni mirë dadon bllokuese në drejtim të kundërt të akrepave të orës me çelësin për dadon e bllokimit. Për ta hequr diskut, ndiqni procedurën e anasjellë të instalimit.

Për modele ndryshe nga 100 mm (4")

► **Fig.17:** 1. Dadoja bllokuese 2. Disk smerilimi 3. Blloku prej gome

1. Montoni bllokun e gomës në bosht.
2. Futni diskut në pllakën prej gome dhe vidhosni dadon bllokuese në bosht.
3. Mbjajeni boshtin me bllokuesin e boshtit, dhe shtrëngoni mirë dadon bllokuese në drejtim të kundërt të akrepave të orës me çelësin për dadon e bllokimit. Për ta hequr diskut, ndiqni procedurën e anasjellë të instalimit.

Instalimi ose heqja e dados Ezynut

Aksesorë opsionalë

Vetëm për veglat me bosht me filetim M14.

Flanxhën e brendshme, diskut smerilues dhe dadon Ezynut montojni në bosht në mënyrë të tillë që logoja Makita në dadon Ezynut të tregojë nga jashtë.

► **Fig.18:** 1. Ezynut 2. Disk smerilues 3. Flanxha e brendshme 4. Boshti

Shtypni fort bllokuesin e boshtit dhe shtrëngoni dadon Ezynut duke rrotulluar diskut smerilues në drejtim të akrepave të orës deri në fund.

► **Fig.19:** 1. Bllokuesi i boshtit

Për të liruar Ezynut, rrotullojeni unazën e jashtme të dados Ezynut në drejtim të kundërt të akrepave të orës.

SHËNIM: Dadoja Ezynut mund të lirohet me dorë nëse shigjeta tregon drejt dhëmbëzës. Në të kundërt për ta liruar atë nevojitet një çelës për dadon bllokuese. Futni një kunj të çelësit në njërën nga vrimat dhe rrotullojeni dadon Ezynut në drejtim të kundërt të akrepave të orës.

► **Fig.20:** 1. Shigjeta 2. Dhëmbëza

► **Fig.21**

Instalimi i diskut prerës smeril / diskut të diamantit

Aksesorë opsionalë

▲ PARALAJMËRIM: Kur përdorni disk smeril prerës / diamanti, sigurohuni të përdorni vetëm mbrojtësen e posaçme të diskut të projektuar për përdorim me disqe prerës.

▲ PARALAJMËRIM: Mos përdorni KURRË disk prerës për lëmime anësor.

- **Fig.22:** 1. Dado e kyçjes 2. Disku prerës smeril / disku i diamantit 3. Flanxha e brendshme 4. Mbrojtësja e diskut për diskutun smerilues prerës / diskutun e diamantit

Njëlloj si me instalimin, ndiqni udhëzimet për diskutun e me qendër të shtypur.

Drejtimi për montimin e dados së bllokimit dhe të flanxhës së brendshme ndryshon sipas llojit dhe trashësisë së diskut.

Referojuni figurave më poshtë.

Për modelin 100 mm (4")

Kur instaloni diskutun smerilues prerës:

- **Fig.23:** 1. Dado e kyçjes 2. Disku smerilues prerës (më i hollë se 4 mm (5/32")) 3. Disku smerilues prerës (4 mm (5/32")) ose më i trashë 4. Flanxha e brendshme

Kur instaloni diskutun e diamantit:

- **Fig.24:** 1. Dado e kyçjes 2. Disku i diamantit (më i hollë se 4 mm (5/32")) 3. Disku i diamantit (4 mm (5/32")) ose më i trashë 4. Flanxha e brendshme

Për modele ndryshe nga 100 mm (4")

Kur instaloni diskutun smerilues prerës:

- **Fig.25:** 1. Dado e kyçjes 2. Disku smerilues prerës (më i hollë se 4 mm (5/32")) 3. Disku smerilues prerës (4 mm (5/32")) ose më i trashë 4. Flanxha e brendshme

Kur instaloni diskutun e diamantit:

- **Fig.26:** 1. Dado e kyçjes 2. Disku i diamantit (më i hollë se 4 mm (5/32")) 3. Disku i diamantit (4 mm (5/32")) ose më i trashë 4. Flanxha e brendshme

Instalimi i furçës me kupë me tela

Aksesorë opsionalë

▲ KUJDES: Mos përdorni furçë të dëmtuar ose jo të ekuilibruar. Përdorimi i furçës së dëmtuar mund të rrisë mundësitë për lëndime nga kontakti me telat e prishura të furçës.

Vendoseni veglën përmbyës për të mundësuar arritjen e lehtë të boshtit.

Hiqni çdo aksesor nga boshti. Montoni në bosht furçën me kupë me tela dhe shtrëngojeni me çelësin e ofruar.

- **Fig.27:** 1. Furçë me kupë me tela

Instalimi i furçës së diskut me tela

Aksesorë opsionalë

▲ KUJDES: Mos përdorni disk me furçë me tela të dëmtuar ose jo të ekuilibruar. Përdorimi i diskut me furçë me tela të dëmtuar mund të rrisë mundësitë për lëndime nga kontakti me telat e prishura.

▲ KUJDES: Përdorni GJITHMONË mbrojtësen për diskutun me furçë me tela, duke u siguruar që diametri i diskut të përputhet brenda mbrojtëses. Disku mund të thyhet gjatë përdorimit dhe mbrojtësja ndihmon në uljen e mundësive për lëndime personale.

Vendoseni veglën përmbyës për të mundësuar arritjen e lehtë të boshtit.

Hiqni çdo aksesor nga boshti. Filetoni në bosht diskutun me furçë me tela dhe shtrëngojeni me çelës.

- **Fig.28:** 1. Furçë disku me tela

Instalimi i prerëses së vrimave

Aksesorë opsionalë

Vendoseni veglën përmbyës për të mundësuar arritjen e lehtë të boshtit.

Hiqni çdo aksesor nga boshti. Filetoni në bosht prerësen e vrimave dhe shtrëngojeni me çelësin e dhënë.

- **Fig.29:** 1. Prerësja e vrimave

Instalimi i mbrojtëses së diskut për grumbullimin e pluhurit për lëmime

Vetëm për modelin DGA456 / DGA506

Aksesorë opsionalë

Me aksesorët opsionalë, mund ta përdorni këtë vegël për zdrugimin e sipërfaqeve të betonit.

▲ KUJDES: Mbrojtësja e diskut për grumbullimin e pluhurit për diskutun e diamantit ofset është vetëm për zdrugimin e sipërfaqeve të betonit me një disk diamantit ofset. Mos e përdorni këtë mbrojtëse me aksesorë të tjerë prerje ose për ndonjë qëllim tjetër.

▲ KUJDES: Përpara përdorimit, sigurohuni që fshesa me korrent të jetë lidhur me veglën dhe të jetë e ndezur.

Vendoseni veglën përmbyës dhe instaloni mbrojtësen e diskut për grumbullimin e pluhurit.

Montoni flanxhën e brendshme në bosht.

Futni diskutun e diamantit të llojit kupë në flanxhën e brendshme dhe shtrëngoni dadon e kyçjes të boshti.

- **Fig.30:** 1. Dado e kyçjes 2. Disku i diamantit i llojit kupë 3. Disku i diamantit me qendër i llojit kupë 4. Flanxha e brendshme 5. Mbrojtësja e diskut për grumbullimin e pluhurit 6. Kutia mbajtëse

SHËNIM: Për informacion rreth mënyrës së instalimit të mbrojtëses së diskut për grumbullimin e pluhurit, referojuni manualit të saj.

Instalimi i mbrojtëses së diskut për grumbullimin e pluhurit për prerje

Aksesorë opsionalë

Me aksesorët opsionalë mund ta përdorni këtë vegël për prerjen e materialeve të gurit.

► Fig.31

SHËNIM: Për informacion rreth mënyrës së instalimit të mbrojtëses së diskut për grumbullimin e pluhurit, referojuni manualit të saj.

PËRDORIMI

▲ PARALAJMËRIM: Nuk duhet të jetë kurrë e nevojshme të sforconi veglën. Pësha e veglës jep presionin e duhur. Sforcimi dhe presioni i tepërt mund të shkaktojë thyerje të rrezikshme të diskut.

▲ PARALAJMËRIM: Zëvendësojeni GJITHMONË diskut nëse vegla bie gjatë lëmimit.

▲ PARALAJMËRIM: Mos e përplasni apo godisni KURRË diskut në punë.

▲ PARALAJMËRIM: Shmangni kërcimet dhe ngecjen e diskut, veçanërisht kur punoni me këndet, cepat e mprehtë, etj. Kjo mund të shkaktojë humbje të kontrollit dhe kundërveprim.

▲ PARALAJMËRIM: Mos e përdorni KURRË veglën me disqe për prerje të drurit apo disqe të tjera sharrash. Tehet e tilla kur përdoren me lëmues kërcëjnë shpesh dhe shkaktojë humbje të kontrollit që mund të sjellë lëndimin tuaj.

▲ KUJDES: Mos e ndizni kurrë veglën kur është në kontakt me materialin e punës. Kjo mund të shkaktojë lëndim të përdoruesit.

▲ KUJDES: Gjithmonë përdorni syze mbrojtëse ose një mbrojtëse të fytyrës gjatë punës.

▲ KUJDES: Pas pune fikeni gjithnjë veglën dhe prisni derisa disku të ndalojë tërësisht përpara se ta vendosni veglën diku.

▲ KUJDES: Mbajeni veglën GJITHMONË mirë me njërën dorë në trup dhe me tjetrën në mbajtësen (dorezën) anësore.

SHËNIM: Një disk dyfunksional mund të përdoret dhe për procese lëmimi, dhe prerjeje.

Referojuni pjesës “Lëmimi dhe smerilimi” për procesin e lëmimit dhe referojuni “Puna me disk prerës smeril / disk diamanti” për procesin e prerjes.

Lëmimi dhe smerilimi

► Fig.32

Ndizni veglën dhe më pas vendosni diskut mbi materialin e punës. Përgjithësisht, mbajeni buzën e diskut në një kënd rreth 15° ndaj sipërfaqes së materialit të punës. Gjatë periudhës së përdorimit të një disku të ri, mos e përdorni lëmuesin në drejtimin përpara sepse përndryshe mund të futet në materialin e punës. Pasi buza e diskut të jetë rrumbullakosur nga përdorimi, disku mund të përdoret si në drejtimin përpara ashtu dhe në drejtimin prapa.

Shembull përdorimi: puna me disk diamanti të llojit kupë

► Fig.33

Mbajeni veglën horizontalisht dhe kalojeni të gjithë diskutin e diamantit të llojit kupë në sipërfaqen e materialit të punës.

Puna me disk prerës smeril / disk diamanti

Aksesorë opsionalë

▲ PARALAJMËRIM: Mos e “blokoni” diskut ose mos aplikoni presion të tepërt mbi të. Mos provoni të kryeni prerje të thella. Sforcimi i tepërt i diskut shton ngarkesën dhe gjasat për përdredhje ose kapje të diskut përgjatë prerjes dhe mundësinë e zbrapsjes, mund të ndodhë thyerje e diskut ose mbinxehje e motorit.

▲ PARALAJMËRIM: Mos e filloni prerjen brenda materialit të punës. Lëreni diskut të kapë shpejtësinë maksimale dhe filloni me kujdes prerjen duke e lëvizur veglën përpara mbi sipërfaqen e materialit të punës. Disku mund të kapet, të kërcëjë sipër ose të zbrapset nëse vegla elektrike nisat brenda materialit të punës.

▲ PARALAJMËRIM: Gjatë prerjeve mos e ndryshoni kurrë këndin e diskut. Ushtrimi i presionit anësor mbi diskutin prerës (ashtu si gjatë lëmimit) do të shkaktojë krisjen dhe thyerjen e diskut, duke ju shkakuar lëndime të rënda.

▲ PARALAJMËRIM: Disku i diamantit duhet të përdoret pingul mbi materialin që do të pritët.

Shembull përdorimi: përdorimi me disk prerës të smerilimit

► Fig.34

Shembull përdorimi: vënia në funksionim me diskutin e diamantit

► Fig.35

Vënia në punë me furça me kupë me tela

Aksesorë opsionalë

▲KUJDES: Kontrolloni funksionimin e furçës duke e ndezur veglën pa ngarkesë, duke u siguruar se nuk ndodhet askush përpara ose në një drejtim me furçën.

VINI RE: Shmangni aplikimin e presionit të tepërt që shkakton përkuljen e telave kur përdorni furçën me kupë me tela. Kjo mund të sjellë prishje të parakohshme.

Shembull përdorimi: vënia në punë me furça me kupë me tela
► Fig.36

Vënia në punë me furça disku me tela

Aksesorë opsionalë

▲KUJDES: Kontrolloni funksionimin e diskut me furçë me tela duke e ndezur veglën pa ngarkesë, duke u siguruar se nuk ndodhet askush përpara ose në një drejtim me diskut me furçë me tela.

VINI RE: Shmangni aplikimin e presionit të tepërt që shkakton përkuljen e telave kur përdorni furçë disku me tela. Kjo mund të sjellë prishje të parakohshme.

Shembull përdorimi: vënia në punë me furçë disku me tela
► Fig.37

Puna me prerësen e vrimave

Aksesorë opsionalë

▲KUJDES: Kontrolloni funksionimin e prerëses së vrimave duke e ndezur veglën pa ngarkesë, duke u siguruar se nuk ndodhet askush përpara prerëses së vrimave.

VINI RE: Mos e anoni veglën gjatë punës. Kjo mund të sjellë prishje të parakohshme.

Shembull përdorimi: puna me prerësen e vrimave
► Fig.38

MIRËMBAJTJA

▲KUJDES: Sigurohuni gjithmonë që vegla të jetë fikur dhe të jetë hequr nga bateria përpara se të kryeni inspektimin apo mirëmbajtjen.

VINI RE: Mos përdorni kurrë benzinë, benzinë pastrimi, hollues, alkoool dhe të ngjashme. Mund të shkaktoni çngjyrosje, deformime ose krisje.

Për të ruajtur SIGURINË dhe QËNDRUESHMËRINË, riparimet dhe çdo mirëmbajtje apo rregullim tjetër duhen kryer nga qendrat e autorizuar të shërbimit ose të shërbimit të fabrikës të Makita-s, duke përdorur gjithnjë pjesë këmbimi të Makita-s.

Pastrimi i vrimave të ajrit

Vegla dhe ventilatorët e saj duhen mbajtur pastër. Pastrojini rregullisht vrimat e ajrit të veglës ose kurdo që nisin të bllokohen.

► Fig.39: 1. Vrima e daljes 2. Vrima e hyrjes

Hiqni kapakun e pluhurit nga ventilatori thithës dhe pastrojini në mënyrë që ajri të qarkullojë lirshëm.

► Fig.40: 1. Kapaku për pluhurin

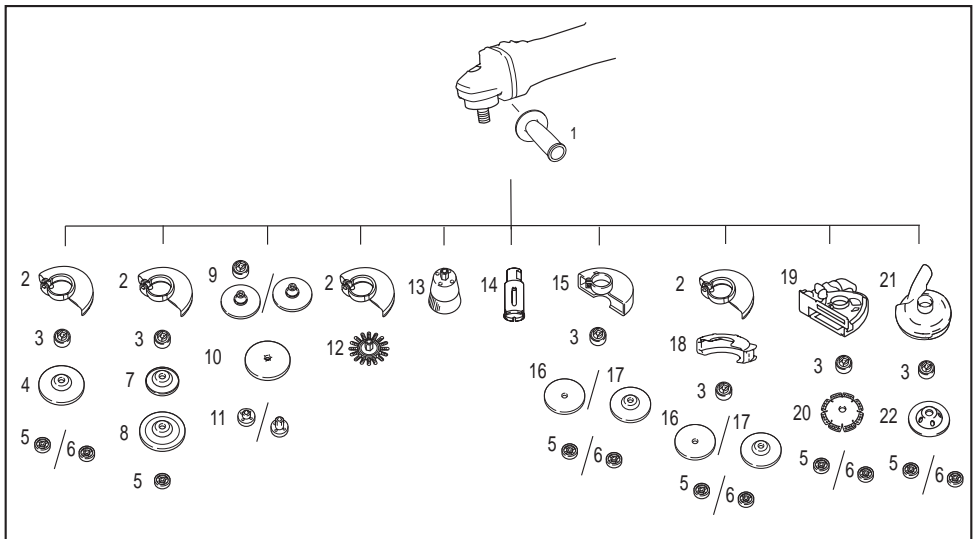
VINI RE: Pastroni kapakun e pluhurit kur është i bllokuar me pluhur ose materiale të tjera. Vazhdimi i punës kur kapaku i pluhurit është i bllokuar mund të dëmtojë veglën.

KOMBINIMI I ZBATIMEVE DHE I AKSESORËVE

Aksesorë opsionalë

▲KUJDES: Përdorimi i veglës me mbrojtëse të gabuara mund të shkaktojë rreziqet si më poshtë.

- Kur përdoret mbrojtëse disku prerës për lëhim të faqeve, mbrojtësja e diskut mund të ndërhyjë me materialin e punës duke shkaktuar kontroll të dobët.
- Kur e përdorni mbrojtësen e diskut për procese prerjeje me disqe të lidhura smeriluese dhe diamanti, ka një rrezik më të lartë ekspozimi ndaj disqeve rrotulluese, shkëndijave dhe grimcave të nxjerra, si dhe ekspozimi ndaj fragmenteve të diskut në rast plasjeje të diskut.
- Kur përdoret mbrojtëse disku prerës ose smerilues për procese me faqet me disqe diamanti të llojit kupë, mbrojtësja e diskut mund të ndërhyjë me materialin e punës duke shkaktuar kontroll të dobët.
- Kur përdoret një mbrojtëse disku prerës ose smerilues me një furçë teli lloji disk me trashësi më të madhe se trashësia maksimale e përcaktuar te “SPECIFIKIMET”, telat mund të kapen te mbrojtësja duke u këputur.
- Përdorimi i mbrojtësëve të diskut për grumbullimin e pluhurit për proces prerjeje dhe në faqe në beton apo mure, redukton rrezikun e ekspozimit ndaj pluhurit.
- Kur përdorni disqe të montuara me flanxhë dhe dyfunksionale (smerilimi i kombinuar me lëmues dhe prerës), përdorni vetëm një mbrojtëse disku prerës.



-	Aplikimi	Modeli 100 mm	Modeli 115 mm	Modeli 125 mm
1	-	Mbrojtësja anësore		
2	-	Mbrojtësja e diskut (për disqet lëmues)		
3	-	Flanxha e brendshme		
4	Lëmimi/smerilimi	Disku me qendër të shtypur / Disku me kënd		
5	-	Dado e kyçjes		
6	-	-	Ezynut *1	
7	-	Pillaka rezervë		
8	Lëmimi	Disku fleksibël		
9	-	Flanxha e brendshme dhe pafta e gomës 76	Pillaka e gomës 100	Pillaka e gomës 115
10	Smerilim	Disk smerilimi		
11	-	Dadoja bllokuese		
12	Puna me furçën e telit	Furçë disku me tela		
13	Puna me furçën e telit	Furçë me kupë me tela		

-	Aplikimi	Modeli 100 mm	Modeli 115 mm	Modeli 125 mm
14	Prerja e vrimave	Prerësja e vrimave		
15	-	Mbrojtësja e diskut (për disqet prerës)		
16	Prerja	Disku prerës smeril / Disku i diamantit		
17	Lëmimi/prerja	Disku dyfunksional		
18	-	Aksesor i mbrojtëses së diskut prerës me kapëse *2		
19	-	Mbrojtësja e diskut për grumbullimin e pluhurit për prerje *3		
20	Prerja	Disku i diamantit		
21	-	-	Mbrojtësja e diskut për grumbullimin e pluhurit për lëmim *4	
22	Lëmimi	-	Disku i diamantit i llojit kupë *4	
-	-	Çelësi i dados së bllokimit		

SHËNIM: *1 Vetëm për veglat me filetim boshti M14.

SHËNIM: *2 Aksesor i mbrojtëses së diskut prerës nuk disponohet në disa vende. Për më shumë hollësi, shikoni manualin e udhëzimeve të aksesorit të mbrojtëses së diskut prerës.

SHËNIM: *3 Për më shumë detaje, referojuni secilit manual përdorimi të mbrojtëses.

SHËNIM: *4 Vetëm për modelin DGA456 / DGA506

Për më shumë detaje, referojuni secilit manual përdorimi të mbrojtëses.

AKSESORË OPSIONALË

⚠ KUJDES: Këta aksesorë ose shtojca rekomandohen për përdorim me veglën Makita të përcaktuar në këtë manual. Përdorimi i aksesorëve apo shtojcave të tjera ndryshe nga këto mund të përbëjë rrezik lëndimi. Aksesorët ose shtojcat përdorini vetëm për qëllimin e tyre të përcaktuar.

Nëse keni nevojë për më shumë të dhëna në lidhje me aksesorët, pyesni qendrën vendore të shërbimit të Makita-s.

- Bateri dhe ngarkues origjinal Makita
- Aksesorët e listuar te "KOMBINIMI I ZBATIMEVE DHE I AKSESORËVE"

SHËNIM: Disa artikuj të listës mund të përfshihen në paketën e veglës si aksesorë standardë. Ato mund të ndryshojnë nga njëri shtet në tjetrin.

СПЕЦИФИКАЦИИ

Модел:		DGA406	DGA456	DGA506
Приложим диск за шлифване	Макс. диаметър на диска	100 мм	115 мм	125 мм
	Макс. дебелина на диска	6,4 мм	7,2 мм	
Приложим диск за рязане	Макс. диаметър на диска	105 мм	115 мм	125 мм
	Макс. дебелина на диска	3,2 мм		
Приложима кръгла телена четка	Макс. диаметър на диска	100 мм	115 мм	125 мм
	Макс. дебелина на диска	20 мм		
Резба на вала		M10	M14 или 5/8" (зависи от държавата)	
Максимална дължина на вала		18 мм	23 мм	
Обороти на празен ход (n_0)/Номинални обороти (n)		8 500 мин ⁻¹		
Обща дължина	с BL1840B	362 мм		
Нето тегло		2,2 – 3,7 кг	2,3 – 3,8 кг	2,4 – 3,8 кг
Номинално напрежение		Постоянно напрежение 18 V		

- Поради нашата непрекъсната научно-развойна дейност посочените тук спецификации могат да бъдат променени без предизвестие.
- Спецификациите може да са различни в различните държави.
- Теглото може да се различава в зависимост от принадлежността(ите), включително акумулаторната батерия. Най-леката и най-тежката комбинация в съответствие с процедурата на ЕРТА 01/2014 са показани в таблицата.

Приложима акумулаторна батерия и зарядно устройство

Акумулаторна батерия	BL1815N / BL1820B / BL1830B / BL1840B / BL1850B / BL1860B
Зарядно устройство	DC18RC / DC18RD / DC18RE / DC18SD / DC18SE / DC18SF / DC18SH / DC18WC

- Някои от акумулаторните батерии и зарядните устройства, посочени по-горе, може да не са налични в зависимост от региона на местоживеене.

▲ ПРЕДУПРЕЖДЕНИЕ: Използвайте само посочените по-горе акумулаторни батерии и зарядни устройства. Използването на други акумулаторни батерии и зарядни устройства може да причини нараняване и/или пожар.

Препоръчителен кабел за свързване към захранващ източник

Преносим захранващ модул	PDC01
--------------------------	-------

- Кабелът за свързване към захранващия(те) източник(ци), посочен(и) по-горе, може да не е наличен в зависимост от региона на местоживеене.
- Преди да използвате кабела за свързване към захранващ източник, прочетете инструкциите и предупредителните надписи, поставени на изделията.

СИМВОЛИ

По-долу са описани символите, които може да се използват за тази машина. задължително е да се запознаете с техните значения, преди да пристъпите към работа.



Прочетете ръководството за експлоатация.



Носете предпазни очила.



Винаги работете с две ръце.



Не използвайте предпазителя на диска при рязане.



Само за страни от ЕС
 Поради наличието на опасни компоненти в оборудването отпадъците от електрическо и електронно оборудване, акумулатори и батерии може да имат отрицателно въздействие върху околната среда и човешкото здраве.
 Не изхвърляйте електрически и електронни уреди или батерии с битовите отпадъци!
 Съгласно Европейската директива за отпадъците от електрическо и електронно оборудване и акумулатори и батерии и отпадъци от акумулатори и батерии и нейното адаптиране към националното законодателство, отпадъците от електрическо и електронно оборудване, батерии и акумулатори трябва да се събират отделно и да се доставят до отделен събирателен пункт за отпадъци, функциониращ съгласно наредбите за опазване на околната среда.
 Това е указано чрез символ на зачертана с кръст кофа на колелца, поставен върху оборудването.

Предназначение

Този инструмент е предназначен за шлайфане, шлифоване, почистване с телена четка, изрязване на отвори и рязане на метал и камък без използване на вода.

Шум

Обичайното ниво на шума с тегловен коефициент А, определено съгласно EN62841-2-3:

Модел	Ниво на звуково налягане (L_{pA}): (dB(A))	Ниво на звукова мощност (L_{WA}): (dB(A))	Коефициент на неопределеност (K): (dB(A))
DGA406	83	91	3
DGA456	82	90	3
DGA506	82	90	3

ЗАБЕЛЕЖКА: Обявената(ите) стойност(и) на шумовите емисии e (ca) измерена(и) в съответствие със стандартни методи за изпитване и може да се използва(т) за сравняване на инструменти.

ЗАБЕЛЕЖКА: Обявеното(ите) стойност(и) на шумови емисии може да се използва(т) също и за предварителна оценка на вредното въздействие.

⚠ ПРЕДУПРЕЖДЕНИЕ: Използвайте предпазни средства за слуха.

⚠ ПРЕДУПРЕЖДЕНИЕ: Нивото на шума при работа с електрическия инструмент може да се различава от обявената(ите) стойност(и) в зависимост от начина на използване на инструмента, по-специално какъв детайл се обработва.

⚠ ПРЕДУПРЕЖДЕНИЕ: Задължително определете предпазни мерки за защита на оператора въз основа на оценка на риска в реални работни условия (като се вземат предвид всички етапи на работния цикъл, като например момента на изключване на инструмента, работата на празен ход, както и времето на задействане).

⚠ ПРЕДУПРЕЖДЕНИЕ: Шлайфането на тънки листове от метал или други лесно вибриращи структури с голяма повърхност може да доведе до обща шумова емисия, която е много по-висока (до 15 dB) от декларираните стойности за нива на шумови емисии.

Поставете тежки гъвкави поглъщащи вибрациите подложки или подобни върху такива обработвани детайли, за да ограничите шумовите емисии.

Вземайте предвид увеличените шумови емисии, когато оценявате риска от излагане на шум и избирате подходяща защита на слуха.

Вибрации

Общата стойност на вибрациите (сума от три осови вектора), определена съгласно EN62841-2-3:

Работен режим: шлайфане на повърхности с нормална странична ръкохватка

Модел	Ниво на вибрации ($a_{hv, AG}$): (m/s^2)	Коефициент на неопределеност (K): (m/s^2)
DGA406	4,5	1,5
DGA456	6,5	1,5
DGA506	6,5	1,5

Работен режим: шлайфане на повърхности с антивибрационна странична ръкохватка

Модел	Ниво на вибрации ($a_{hv, AG}$): (m/s^2)	Коефициент на неопределеност (K): (m/s^2)
DGA406	4,0	1,5
DGA456	6,0	1,5
DGA506	6,0	1,5

Работен режим: шкуркане с диск с нормална странична ръкохватка

Модел	Ниво на вибрации ($a_{hv, DS}$): (m/s^2)	Коефициент на неопределеност (K): (m/s^2)
DGA406	2,5 m/s^2 или по-малко	1,5
DGA456	2,5 m/s^2 или по-малко	1,5
DGA506	2,5 m/s^2 или по-малко	1,5

Работен режим: шкуркане с диск с антивибрационна странична ръкохватка

Модел	Ниво на вибрации ($a_{hv, DS}$): (m/s^2)	Коефициент на неопределеност (K): (m/s^2)
DGA406	2,5 m/s^2 или по-малко	1,5
DGA456	2,5 m/s^2 или по-малко	1,5
DGA506	2,5 m/s^2 или по-малко	1,5

ЗАБЕЛЕЖКА: Обявената(ите) обща(и) стойност(и) на вибрациите $e(sa)$ измерена(и) в съответствие със стандартни методи за изпитване и може да се използва(т) за сравняване на инструменти.

ЗАБЕЛЕЖКА: Обявената(ите) обща(и) стойност(и) на вибрациите може да се използва(т) също и за предварителна оценка на вредното въздействие.

▲ПРЕДУПРЕЖДЕНИЕ: Нивото на вибрациите при работа с електрическия инструмент може да се различава от обявената(ите) стойност(и) в зависимост от начина на използване на инструмента, по-специално какъв детайл се обработва.

▲ПРЕДУПРЕЖДЕНИЕ: Задължително определете предпазни мерки за защита на оператора въз основа на оценка на риска в реални работни условия (като се вземат предвид всички етапи на работния цикъл, като например момента на изключване на инструмента, работата на празен ход, както и времето на задействане).

▲ПРЕДУПРЕЖДЕНИЕ: Обявеното ниво на вибрациите се използва за основните приложения на електрическия инструмент. Ако обаче инструментът се използва за други приложения, нивото на вибрациите може да е различно.

ЕО декларация за съответствие

Само за европейските страни

ЕО декларацията за съответствие е включена като Анекс А към тази инструкция за употреба.

ПРЕДУПРЕЖДЕНИЯ ЗА БЕЗОПАСНОСТ

Общи предупреждения за безопасност при работа с електрически инструменти

▲ ПРЕДУПРЕЖДЕНИЕ Прочетете всички предупреждения, инструкции, илюстрации и спецификации за безопасност, предоставени с този електрически инструмент. При неспазване на изброените по-долу инструкции има опасност от токов удар, пожар и/или тежко нараняване.

Запазете всички предупреждения и инструкции за справка в бъдеще.

Терминът "електрически инструмент" в предупрежденията се отнася за вашия инструмент (с кабел за включване в мрежата) или работещ на батерии (безжичен) електрически инструмент.

Предупреждения за безопасност при работа с акумулаторен гълошлайф

Общи предупреждения за безопасност при шлайфане, шлифоване, почистване с телена четка или рязане с абразивен диск:

1. Този електрически инструмент е предназначен да работи като инструмент за шлайфане, шлифоване, почистване с телена четка, изрязване на отвори или за рязане с абразивен диск. Прочетете всички предупреждения, инструкции, илюстрации и спецификации за безопасност, предоставени с този електрически инструмент. При неспазване на изброените по-долу инструкции има опасност от токов удар, пожар и/или тежко нараняване.
2. Този електрически инструмент не се използва за операции като полиране. Операции, за които електрическият инструмент не е предназначен, могат да бъдат опасни и да доведат до нараняване.
3. Не преобразувайте този електрически инструмент, за да го използвате по начин, за който същият не е специално предназначен и не е посочен от производителя на инструмента. Такова преобразуване може да доведе до загуба на контрол и да причини сериозни телесни наранявания.
4. Не използвайте принадлежности, които не са специално предназначени и посочени от производителя на инструмента. Това, че дадена принадлежност може да бъде закрепена към инструмента, не осигурява безопасната му работа.
5. Номиналните обороти на принадлежностите трябва да са най-малко равни на максималните обороти, означени на електрическия инструмент. Принадлежностите, работещи на обороти, по-високи от номиналните, може да се счупят и да се разлетят парчета.

6. Външният диаметър и дебелината на принадлежностите трябва да отговарят на номиналния капацитет на електрическия инструмент. Неправилно оразмерените принадлежности не могат да бъдат добре защитени или контролирани.
7. Размерите на монтажните отвори на принадлежностите трябва да отговарят на размерите на монтажните елементи на електрическия инструмент. Тези принадлежности, които не отговарят на монтажните елементи на електрическия инструмент, се дебалансира, вибрират силно при работа и могат да доведат до загуба на контрол.
8. Не използвайте повредени принадлежности. Преди всяко използване проверявайте принадлежностите, например абразивните шайби за отчупвания и пукнатини, опорните подложки за пукнатини, скъсване или прекомерно износване, а телените четки – за хлабави или начупени телове. В случай на изпускане на инструмента или на някой принадлежност ги проверете за повреда или монтирайте принадлежност, която не е повредена. След като огледате и поставите принадлежността, застанете заедно с хората около вас извън равнината на въртящата се принадлежност и включете инструмента на максимални обороти без натоварване в продължение на една минута. Ако принадлежността е повредена, тя ще се счупи по време на това изпитване.
9. Използвайте лични предпазни средства. В зависимост от вида на операцията, която изпълнявате с инструмента, използвайте маска за лице или предпазни очила. При необходимост използвайте прахозащитна маска, антифони, ръкавици и работна прес-тилка, които да могат да ви предпазят от малки абразивни частици или парчета от обработвания детайл. Предпазните средства за очите трябва да могат да спрат летящи отпадъци, създавани при различни работни операции. Прахозащитната маска или дихателният апарат трябва да могат да филтрират частици, образувани при конкретната работна операция. Продължителното излагане на силен шум може да причини загуба на слуха.
10. Страничните лица трябва да стоят на безопасно разстояние от работната зона. Всеки, който влиза в работната зона, трябва да използва лични предпазни средства. Парчета от обработвания детайл или от счупена принадлежност могат да изхвърчат и да причинят наранявания извън непосредствената зона на работа.
11. Дръжте електрическия инструмент само за изолираните и нехлъзгави повърхности, когато има опасност режещият инструмент да се допре до скрити кабели. При допир до проводник под напрежение токът може да премине през металните части на електрическия инструмент и да „ударят“ работещия.
12. Не оставяйте електрическия инструмент на земята, докато принадлежността не спре напълно да се върти. Въртящата се принадлежност може да захване повърхността и да издърпа инструмента от ръцете ви.

13. **Не работете с електрическия инструмент, като го държите от страни до тялото си.** При случаен допир с въртящата се принадлежност дрехите ви може да се разкъсат и да придърпат принадлежността към вашето тяло.
14. **Редовно почиствайте вентилационните отвори на електрическия инструмент.** Вентилаторът на електромотора засмуква прах в корпуса на инструмента, а натрупването на метален прах може да доведе до опасност от електрическа повреда.
15. **Не използвайте електрическия инструмент в близост до леснозапалими материали.** Искрите могат да запалят тези материали.
16. **Не използвайте принадлежности, за които се изискват течни охладители.** Използването на вода или други течни охладители може да доведе до токов удар и дори до смърт.

Обратен удар и свързани с това предупреждения:

Обратният удар е внезапна реакция на заклинен или нащърбен въртящ се диск, опорна подложка, четка или друга принадлежност. Заклиняването или нащърбването води до бързо спиране на въртящата се принадлежност, която от своя страна завърта неконтролируемо електрическия инструмент в посока, обратна на въртенето на принадлежността, в точката на захващане.

Например, ако абразивната шайба е нащърбена или заклинена в обработвания детайл, ръбът, който влиза в точката на заклиняване, може да навлезе в повърхността на материала, от което шайбата да изскочи нагоре или да се получи обратен удар. Шайбата може да отскочи към оператора или встрани от него в зависимост от посоката на движение на шайбата в точката на заклиняване. В такава ситуация абразивната шайба може и да се счупи. Обратният удар е следствие от неправилната употреба на електрическия инструмент и/или неспазване на реда и условията за работа и може да бъде избегнат при спазване на посочените по-долу предпазни мерки.

1. **Дръжте здраво електрическия инструмент с две ръце и разположете тялото и ръцете си така, че да можете да устоите на силите на обратния удар. Ако има допълнителна ръкохватка, я използвайте задължително, за да овладеете максимално обратния удар или завъртането при пускане.** Операторът може да овладее завъртането или силите на обратен удар, ако вземе подходящите предпазни мерки.
2. **Не поставяйте ръката си близо до въртящата се принадлежност.** Възможен е откат на принадлежността към ръката ви.
3. **Не заставайте така, че тялото ви да е в зоната, където инструментът ще отскочи в случай на обратен удар.** Обратният удар изхвърля инструмента в посока, обратна на тази на въртенето на диска, в точката на нащърбване.
4. **Работете с повишено внимание при обработване на ъгли, остри ръбове и др. подобни. Не позволявайте на принадлежността да подскача или да се нащърбва.** Ъглите, острите ръбове и подскането са предпоставки за нащърбване на въртящата се принадлежност и загуба на контрол или обратен удар.

5. **Не монтирайте верига на трион, нож за дърворезба, сегментиран диамантен диск с отстояние над 10 мм или циркулярен диск със зъби.** Такива дискове често водят до обратен удар и загуба на контрол.

Предупреждения за безопасност, отнасящи се за шлайфане и рязане с абразивен диск:

1. **Използвайте само дискове, посочени за вашия електрически инструмент, и специалните предпазители за избрания вид диск.** Дискове, за които инструментът не е предназначен, не могат да бъдат добре защитени и не са безопасни.
2. **Шлайфашите повърхности на дисковете с вдлъбнати центрове трябва да се монтират под равнината на ръба на предпазителя.** Неправилно монтирания диск, който се показва през равнината на ръба на предпазителя, не може да бъде добре защитен.
3. **Предпазителят трябва да е здраво закрепен за електрическия инструмент и разположен така, че да осигурява максимална безопасност, тъй че колкото може по-малка част от диска да е открита към оператора.** Предпазителят пази оператора от парчетата при счупване на диска, от случаен допир до диска и от искри, които биха могли да подпалят дрехите.
4. **Дисковете трябва да се използват само за тези приложения, за които са посочени.** Например: не трябва да се шлифова с плоската страна на абразивен диск за рязане. Абразивните дискове за рязане са предназначени за периферно шлифване и прилагането на странично действащи сили може да доведе до счупването им на парчета.
5. **Използвайте само закрепващи фланци без повреди и с точните размери и форма за избрания диск.** Правилните закрепващи фланци на диска осигуряват опора на диска и така намаляват опасността от счупване на диска. Фланците за дисковете за рязане може да се различават от фланците за шайбите за шлифване.
6. **Не използвайте износени дискове за шлифване от по-големи електрически инструменти.** Диск, предназначен за по-големи инструменти, не е подходящ за високите обороти на малкия инструмент и може да се пръсне на парчета.
7. **Когато използвате дискове с двойно предназначение, винаги използвайте подходящия предпазител за работата, която извършвате.** В случай че не се използва подходящия предпазител, желаната степен на защита може да не се постигне, което може да доведе до сериозно нараняване.

Допълнителни предупреждения за безопасност, отнасящи се за рязане с абразивен диск:

1. **Не „заклинявайте“ диска за рязане и не упражнявайте прекомерен натиск.** Не се опитвайте да режете прекалено дълбоко. Прекомерният натиск върху диска увеличава натоварването и вероятността за усукване или задиране на диска в прореза, както и тази за обратен удар или счупване на диска.

2. **Не заставяйте така, че тялото ви да е на една линия с въртящия се диск и зад него.** Когато дискът, в точката на обработване, се отдалечава от тялото, евентуалният обратен удар може да изстреля въртящия се диск и инструмента право към вас.
3. **Ако дискът задере или прекъснете рязането по друга причина, изключете електрическия инструмент и го задръжте неподвижен, докато дискът спре да се върти окончателно. Не се опитвайте да извадите диска за рязане от прореза, докато все още се върти, защото това може да доведе до обратен удар.** Огледайте мястото и вземете необходимите мерки, за да отстраните причината за задирането на диска.
4. **Не подновявайте рязането, докато дискът е в допир с обработвания детайл.** Изчакайте дискът да достигне пълни обороти и тогава внимателно го вкарайте в прореза. Дискът може да задере, да излезе или да доведе до обратен удар, ако инструментът бъде включен отново, докато е в допир с обработвания детайл.
5. **Подпирайте панели и други обемисти детайли за обработване, за да сведете до минимум опасността от заклинване или обратен удар от диска.** Големите обработвани детайли често се огъват под собствената си тежест. Трябва да се поставят подпори под обработвания детайл близо до линията на рязане и близо до ръба на детайла, от двете страни на диска.
6. **Бъдете особено предпазливи, когато режете правоъгълен отвор в стена или друга повърхност, през която не се вижда.** Стърчащият диск може да среже газова или водопроводни тръби, електрически кабел или предмет, който да причини обратен удар.
7. **Не се опитвайте да извършвате рязане по крива линия.** Прекомерният натиск върху диска увеличава натоварването и вероятността за усукване или задиране на диска в прореза, както и тази за обратен удар или счупване на диска, което може да доведе до сериозно нараняване.
8. **Преди да използвате сегментиран диамантен диск, убедете се, че диамантеният диск е с интервал между сегментите, по-малък от или равен на 10 мм, и е с отрицателен преден ъгъл на зъба.**

Специфични предупреждения за безопасност при шлифовъчни операции:

1. **Използвайте диск за шлифоване от шкурка с подходящ размер. Следвайте съветите на производителя при избора на шкурка.** Големите дискове за шлифоване от шкурка, които излизат твърде много извън шлифовъчната подложка, представляват опасност от разкъсване и могат да причинят задиране, скъсване на диска или обратен удар.

Специфични предупреждения за безопасност при почистване с телена четка:

1. **Имайте предвид, че телове падат от четката дори при нормална работа. Не натискайте прекалено силно теловете, като упражнявате голямо натоварване върху четката.** Теловете лесно могат да проникнат през тънки дрехи и/или през кожата.
2. **Ако при почистване с телена четка е посочено използването на предпазител, не позволявайте теленият диск или четката да докосват предпазителя.** Диаметърът на теленият диск или четка може да се увеличи поради работното натоварване или от центробежните сили.

Допълнителни предупреждения за безопасност:

1. **Ако използвате дискове за шлифоване с вдлъбнат център, използвайте само дискове, подсилени със стъклопласт.**
2. **НЕ използвайте чашковидни каменни дискове с този инструмент за шлифоване.** Инструментът за шлифоване не е предназначен за такъв тип дискове и използването им може да доведе до тежко нараняване.
3. **Внимавайте да не повредите вала, фланеца (особено монтажната повърхност) или фиксиращата гайка.** Повреждането на тези части може да доведе до счупване на диска.
4. **Уверете се, че дискът не докосва детайла за обработване, преди да включите инструмента.**
5. **Преди да пристъпите към обработка на детайл, оставете инструмента да поработи известно време.** Следете за вибрации или трептения, които може да сочат, че дискът не е добре поставен или е неправилно балансиран.
6. **Използвайте указаната повърхност на диска, за да шлайфате.**
7. **Не оставяйте инструмента да работи без надзор.** Инструментът трябва да работи само когато го държите с ръце.
8. **Не докосвайте детайла непосредствено след обработка, защото може да е много горещ и да изгори кожата ви.**
9. **Не докосвайте аксесоарите непосредствено след обработка, защото може да са много горещи и да изгорят кожата ви.**
10. **Спазвайте инструкциите на производителя за правилен монтаж и използване на дисковете. Работете с дисковете и ги съхранявайте внимателно.**
11. **Не използвайте отделни редуциращи втулки или адаптери за пригаждане на абразивни шайби с големи отвори.**
12. **Използвайте само фланци, предназначени за този инструмент.**
13. **При инструменти, предназначени за работа с дискове с отвор с резба, проверете дали резбата на диска е достатъчна, за да влезе целия вал.**
14. **Проверете дали детайлът за обработване е закрепен стабилно.**

15. Внимавайте, защото дискът продължава да се върти след изключването на инструмента.
16. В случай че работното място е много горещо и влажно или силно замърсено с прах, който е проводник на ток, използвайте захранване с дефектнотокова защита (30 mA), за да осигурите безопасността на оператора.
17. Не използвайте инструмента върху материали, съдържащи азбест.
18. Когато използвате дискове за рязане, винаги работете с монтиран предпазител на диска с колектор за прах, ако се изисква съгласно местната нормативна уредба.
19. Дисковете за рязане не трябва да се подлагат на страничен натиск.
20. Не използвайте платнени работни ръкавици по време на работа. В инструмента могат да влязат влакна от платнените ръкавици, което да доведе до повреда на инструмента.
21. Преди работа се уверете, че в работния детайл няма скрит обект, като тръба за електрическа инсталация, тръба за водопровод или тръба за газ. В противен случай може да доведе до електрически удар, токова утечка или изтичане на газ.
22. Ако към диска е прикрепена подложка, не я сваляйте. Диаметърът на подложката трябва да бъде по-голям от фиксиращата гайка, външния фланец и вътрешния фланец.
23. Преди да монтирате диск за шлифване, винаги проверявайте дали подложката няма дефекти като отчупвания и пукнатини.
24. Затегнете добре фиксиращата гайка. Презатягането на диска може да доведе до счупване, а недостатъчното затягане може да причини трептене.
3. Ако мощността на машината намалее много, веднага спрете да работите. Това може да доведе до риск от прегряване, до възможни изгаряния и даже до експлозии.
4. Ако в очите ви попадне електролит, изплакнете ги с чиста вода и веднага потърсете лекарска помощ. Това може да доведе до загуба на зрението ви.
5. Не давайте на късо акумулаторните батерии:
 - (1) Не докосвайте клемите с проводими материали.
 - (2) Избягвайте съхраняването на акумулаторните батерии в контейнер с други метални предмети като пирони, монети и други подобни.
 - (3) Не излагайте акумулаторните батерии на вода или дъжд.

Закъсяването на акумулаторна батерия може да доведе до протичане на много силен ток, до прегряване, до възможни изгаряния и даже до разпадане на батерията.

6. Не съхранявайте и не използвайте инструмента и акумулаторните батерии на места, където температурата може да достигне или надмине 50 °C (122 °F).
7. Не изгаряйте акумулаторните батерии даже и ако те са сериозно повредени или напълно износени. Акумулаторната батерия може да експлодира в огън.
8. Не забивайте пирони, не режете, не смачквайте, не хвърляйте, не изпускате и не удяряйте в твърд предмет акумулаторната батерия. Това поведение може да предизвика пожар, прегряване или взрив.
9. Не използвайте повредени акумулаторни батерии.
10. Съдържащите се литиево-йонни акумулаторни батерии са обект на изискванията на законодателството за опасни стоки. При търговски превози, напр. от трети страни, следитори, трябва да се спазват специални изисквания за опаковане и етикетирание. За подготовка на артикула, който трябва да бъде изпратен, е необходима консултация с експерт по опасните материали. Моля, спазвайте и евентуално по-подробните национални разпоредби. Залепете с лента или покрийте откритите контакти и опаковайте акумулаторната батерия по такъв начин, че да не може да се премества в опаковката.

ЗАПАЗЕТЕ НАСТОЯЩИТЕ ИНСТРУКЦИИ.

▲ ПРЕДУПРЕЖДЕНИЕ: НЕ позволявайте комфорта от познаването на продукта (придобит при дългата му употреба) да замени стриктното спазване на правилата за безопасност за въпросния продукт. **НЕПРАВИЛНАТА УПОТРЕБА** и неспазването на правилата за безопасност, посочени в настоящото ръководство за експлоатация, могат да доведат до тежки наранявания.

Важни инструкции за безопасност за акумулаторната батерия

1. Преди да използвате акумулаторната батерия, прочетете всички инструкции и предупредителни маркировки на (1) зарядното устройство за батериите, (2) за батериите и (3) за използващата батерияте продукт.
2. Не разглобявайте и не променяйте акумулаторната батерия. Това може да предизвика пожар, прегряване или взрив.
11. При изхвърляне на акумулаторната батерия я извадете от инструмента и я изхвърлете на подходящо място. Спазвайте местните разпоредби за изхвърляне на акумулаторни батерии.
12. Използвайте батериите само с продуктите, определени от Makita. Поставянето на батериите към неодобрени продукти може да предизвика пожар, прегряване, взрив или изтичане на електролит.
13. Ако инструментът няма да се използва продължително време, батерията трябва да се извади от него.

14. По време на и след употреба акумулаторната батерия може да поеме топлина, която може да причини изгаряния или нискотемпературни изгаряния. Внимавайте, когато боравите с горещите акумулаторни батерии.
15. Не докосвайте клемата на инструмента веднага след употреба, тъй като е възможно да е достатъчно нагрята, за да предизвика изгаряния.
16. Не позволявайте стружки, прах или почва да полепват по клемите, отворите и каналите на акумулаторната батерия. Това може да причини загряване, възникване на пожар, избухване и повреда на инструмента или акумулаторната батерия, което да доведе до изгаряния или телесни наранявания.
17. Освен ако инструментът поддържа използването в близост до високоволтови електропроводи, не използвайте акумулаторната батерия близо до високоволтови електропроводи. Това може да доведе до неизправност или повреда на инструмента или акумулаторната батерия.
18. Пазете батерията от деца.

ЗАПАЗЕТЕ НАСТОЯЩИТЕ ИНСТРУКЦИИ.

⚠ВНИМАНИЕ: Използвайте само оригинални акумулаторни батерии на Makita. При използване на различни от акумулаторните батерии на Makita или стари акумулаторни батерии може да се получи пръскане на акумулаторната батерия, което да доведе до пожар, нараняване или повреда. Това също ще анулира гаранцията на Makita за инструмента и зарядното устройство Makita.

Съвети за поддържане на максимално дълъг живот на акумулаторните батерии

1. Зареждайте акумулаторните батерии, преди те да са се разрешили напълно. Когато забележите, че мощността на инструмента намалява, винаги спирайте работата с инструмента и заредете акумулаторната батерия.
2. Никога не презареждайте напълно заредена акумулаторна батерия. Презарядът скъсява експлоатационния живот на батерията.
3. Зареждайте акумулаторната батерия при стайна температура от 10 °C – 40 °C (50 °F – 104 °F). Оставете загретите акумулаторни батерии да се охладят, преди да ги зареждате.
4. Когато не използвате акумулаторната батерия, извадете я от инструмента или зарядното устройство.
5. Заредете акумулаторната батерия, ако не сте го използвали дълъг период от време (повече от шест месеца).

ОПИСАНИЕ НА ФУНКЦИТЕ

⚠ВНИМАНИЕ: Винаги проверявайте дали инструментът е изключен и касетата с акумулаторната батерия е извадена, преди да регулирате или проверявате дадена функция на инструмента.

Поставяне и изваждане на акумулаторната батерия

⚠ВНИМАНИЕ: Винаги изключвайте инструмента преди поставяне или изваждане на акумулаторната батерия.

⚠ВНИМАНИЕ: Когато инсталирате или изваждате акумулаторната батерия, дръжте здраво инструмента и акумулаторната батерия. Ако не държите здраво инструмента и акумулаторната батерия, те могат да се изплъзнат от ръцете ви и да доведат до повреждане на инструмента и акумулаторната батерия или нараняване.

► **Фиг.1:** 1. Червен индикатор 2. Бутон 3. Акумулаторна батерия

За да извадите акумулаторната батерия, я плъзнете извън инструмента, плъзгайки същевременно бутона в предната част на акумулаторната батерия.

За да поставите акумулаторната батерия, изравнете езичето на акумулаторната батерия с жлеба в корпуса и го плъзнете на мястото му. Придвижвайте я по протежението на жлеба, докато не се намести с леко щракване. В случай че виждате червения индикатор, както е показано на фигурата, тя не е фиксирана напълно на мястото си.

⚠ВНИМАНИЕ: Винаги вмъквайте акумулаторната батерия докрай, така че червеният индикатор да се скрие. В противен случай тя може неволно да изпадне от инструмента, което може да нарани вас или някого около вас.

⚠ВНИМАНИЕ: Не инсталирайте акумулаторната батерия със сила. Ако батерията не се движи свободно, тя не е била поставена правилно.

Индикация на оставащия капацитет на акумулаторната батерия

Само за акумулаторни батерии с индикатор

► **Фиг.2:** 1. Светлинни индикатори 2. Бутон за проверка

Натиснете бутона за проверка на акумулаторната батерия за показване на оставащия заряд на батерията. Светлинните индикатори ще светнат за няколко секунди.

Светлинни индикатори			Оставащ заряд на батерията
Свети	Изкл.	Мига	
			75% до 100%
			50% до 75%
			25% до 50%
			0% до 25%
			Заредете батерията.
			Батерията може да не работи правилно.

ЗАБЕЛЕЖКА: В зависимост от условията на употреба и околната температура е възможно показанието леко да се различават от действителния капацитет.

ЗАБЕЛЕЖКА: Първият (краен ляв) светлинен индикатор ще мига, когато системата за защита на батерията функционира.

Индикация на оставащия капацитет на акумулаторната батерия

Зависи от страната

При включване на инструмента индикаторът на батерията показва оставащия капацитет на акумулаторната батерия.

► **Фиг.3: 1.** Индикатор на батерията

Оставащият капацитет на акумулаторната батерия е показан в съответствие със следната таблица.

Състояние на индикатора на акумулаторната батерия			Оставащ капацитет на акумулаторната батерия
Вкл.	Изкл.	Мига	
			50% до 100%
			20% до 50%
			0% до 20%
			Заредете батерията

Система за защита на инструмента /акумулаторната батерия

Инструментът е оборудван със система за защита на инструмента/акумулаторната батерия. Тази система автоматично прекъсва захранването към електромотора, за да осигури по-дълъг живот на инструмента и акумулаторната батерия. Инструментът ще спре автоматично по време на работа, ако инструментът или батерията се намират в едно от следните условия:

Защита срещу претоварване

Когато инструментът се използва по начин, който води до необичайно висока консумация на ток, инструментът спира автоматично без никаква индикация. В този случай изключете инструмента и спрете операцията, която претоварва инструмента. След това отново включете инструмента, за да го рестартирате.

Защита срещу прегряване

Когато инструментът прегрее, той спира автоматично и индикаторът на батерията показва следното състояние. При това положение оставете инструмента да изстине, преди да го включите отново.

Вкл.	Мига

Ако инструментът не стартира, е възможно батерията да е прегряла. При това положение оставете батерия да изстине, преди да включите инструмента отново.

Защита срещу прекомерно разреждане

Когато капацитетът на акумулаторната батерия не е достатъчен, инструментът спира автоматично. В този случай извадете батерията от инструмента и я заредете.

Освобождаване на защитната блокировка

Когато защитната система сработва непрекъснато, инструментът се блокира и индикаторът на батерията показва следното състояние.

При това положение инструментът не тръгва дори ако го изключите и включите. За освобождаване на защитната блокировка извадете батерията, включете я в зарядното устройство и изчакайте, докато зареждането завърши.

Вкл.	Изкл.	Мига

Защити срещу други причини

Предпазната система е предназначена и за други причини, които може да повредят инструмента, и позволява автоматичното спиране на инструмента. Изпълнете всички следващи стъпки, за да отстраните причините, когато инструментът е прекъснал временно или спре по време на работа.

1. Изключете инструмента и след това отново го включете.
2. Заредете батерията(ите) или я/ги заменете със заредена(и) батерия(и).
3. Оставете инструмента и батерията(ите) да изстинат.

Ако не бъде постигнато подобрене чрез връщане на предпазната система в изходно положение, се свържете с местния сервизен център на Makita.

Палец за блокиране на вала

▲ ПРЕДУПРЕЖДЕНИЕ: Никога не задействайте палеца за блокиране на вала, когато валът се върти. Това може да причини сериозно нараняване или повреда на инструмента.

Натиснете палеца за блокиране на вала, за да възпрепятствате въртенето му, когато поставяте или сваляте принадлежности.

► **Фиг.4:** 1. Палец за блокиране на вала

Включване

▲ ВНИМАНИЕ: Преди да поставите акумулаторната батерия в инструмента, винаги проверявайте дали плъзгачът работи нормално и се върща в положение „OFF“ (ИЗКЛ.), когато се натисне задният край на плъзгача.

▲ ВНИМАНИЕ: Превключвателят може да се заключва в положение „ON“ (Вкл.) за удобство на оператора и комфорт при продължителна работа. Внимавайте, когато заключвате инструмента в положение „ON“ (Вкл.) и продължавайте да го държите здраво.

За да включите инструмента, натиснете задния край на плъзгачия превключвател и после го плъзнете към положение „I (ON)“ (ВКЛ.). За непрекъсната работа натиснете предния край на плъзгачия превключвател, за да го блокирате.

► **Фиг.5:** 1. Плъзгач превключвател

За да изключите инструмента, натиснете задния край на плъзгачия превключвател, за да се върне в положение „O (OFF)“ (ИЗКЛ.).

► **Фиг.6:** 1. Плъзгач превключвател

Функция за автоматична смяна на скоростта

► **Фиг.7:** 1. Индикатор за режим

Статус на индикатора за режима	Режим на работа
	Режим на високи обороти
	Режим с висок въртящ момент

Този инструмент има "режим на високи обороти" и "режим на висок въртящ момент". Режимът на работа се променя автоматично в зависимост от натоварването при работа. Когато индикаторът за режима свети по време на работа, инструментът е в режим на висок въртящ момент.

Функция за предотвратяване на случайно включване

Когато се постави акумулаторната батерия при превключвател в положение „ON“ (Вкл.), инструментът няма да започне работа.

За да стартирате инструмента, изключете превключвателя и го включете отново.

Технология за откриване на активна обратна връзка

Инструментът детектира по електронен път ситуации, при които съществува риск от задиране на диска или принадлежност. В това положение инструментът се изключва автоматично, за да се възпрепятства по-нататъшното въртене на шпиндела (това не предотвратява обратния удар).

За да рестартирате инструмента, първо го изключете, отстранете причината за внезапното намаляване на скоростта на въртене и след това включете инструмента.

Функция за плавно пускане

Функцията за плавно пускане намалява тласъка при стартиране.

Електрическа спирачка

След изключване на инструмента се задейства електрическа спирачка.

Спирачката не действа при изключено захранване, като случайно изваждане на батерията, докато прекъсвачът е още във включено положение.

СГЛОБЯВАНЕ

⚠ ВНИМАНИЕ: Винаги проверявайте дали инструментът е изключен и касетата с акумулаторната батерия е извадена, преди да регулирате или проверявате дадена функция на инструмента.

Монтиране на страничната ръкохватка (дръжка)

⚠ ВНИМАНИЕ: Преди да започнете работа проверете дали страничната ръкохватка е закрепена здраво.

Завийте здраво страничната ръкохватка на показаното на фигурата място от инструмента.

► Фиг.8

Поставяне или сваляне на предпазителя (за диск с вдлъбнат център, ламелен диск, гъвкав диск, кръгла телена четка/абразивен диск за рязане, диамантен диск)

⚠ ПРЕДУПРЕЖДЕНИЕ: При използване на диск с вдлъбнат център, ламелен диск, гъвкав диск или кръгла телена четка, предпазителят на диска трябва да бъде поставен на инструмента, така че затворената страна на предпазителя винаги да е обърната към оператора.

⚠ ПРЕДУПРЕЖДЕНИЕ: Когато използвате абразивен диск за рязане/диамантен диск, използвайте само предпазители, предназначени за ползване с дискове за рязане.

За инструмент с предпазител на диска от типа блокиращ винт

Монтирайте предпазителя на диска с изпъкналата страна на лентата на предпазителя, подравнена към белезите на лагерната кутия. След това завъртете предпазителя на диска под такъв ъгъл, че да предпазва оператора според вида на работата. Затегнете винта здраво.

За да свалите предпазителя на диска, изпълнете процедурата за монтаж в обратен ред.

► Фиг.9: 1. Предпазител на диска 2. Лагерна кутия 3. Винт

За инструмент с предпазител на диска от типа лост за затягане

Разхлабете винта и после дръпнете лоста по посока на стрелката. Монтирайте предпазителя на диска с изпъкналата страна на лентата на предпазителя, подравнена към белезите на лагерната кутия. След това завъртете предпазителя на диска под такъв ъгъл, че да предпазва оператора според вида на работата.

► Фиг.10: 1. Предпазител на диска 2. Лагерна кутия 3. Винт 4. Лост

Дръпнете лоста по посока на стрелката. След това притегнете предпазителя на диска чрез затягане на винта. Затегнете винта здраво. Ъгълът на предпазителя на диска може да се регулира чрез лоста.

► Фиг.11: 1. Винт 2. Лост

За да свалите предпазителя на диска, изпълнете процедурата за монтаж в обратен ред.

Предпазител на диск за рязане с фиксатор

Допълнителни аксесоари

ЗАБЕЛЕЖКА: За рязане заедно с предпазителя на диска може да се използва предпазител на диск за рязане с фиксатор (за диск за шлифване).

Не се предлага в някои държави.

► Фиг.12

Поставяне или сваляне на диск с вдлъбнат център или ламелен диск

Допълнителни аксесоари

⚠ ПРЕДУПРЕЖДЕНИЕ: При използване на диск с вдлъбнат център или ламелен диск предпазителят за диска трябва да бъде поставен на инструмента, така че затворената страна на предпазителя винаги да е обърната към оператора.

⚠ ПРЕДУПРЕЖДЕНИЕ: Уверете се, че дали монтажната част на вътрешния фланец пасва идеално към вътрешния диаметър на диска с вдлъбнат център/ламелния диск. Монтирането на вътрешния фланец на неправилната страна може да доведе до опасни вибрации.

Сложете вътрешния фланец на вретеното.

Уверете се, че сте нагласили наъзбената част на вътрешния фланец на правата част от долната страна на вретеното.

Сложете диска с вдлъбнат център/ламелния диск на вътрешния фланец и завийте фиксиращата гайка на шпиндела.

► Фиг.13: 1. Фиксираща гайка 2. Диск с вдлъбнат център 3. Вътрешен фланец 4. Монтажна част

За да затегнете фиксиращата гайка, натиснете палеца за блокиране на вала здраво, така че валът да не може да се върти и след това затегнете добре по посока на часовниковата стрелка с помощта на ключа за фиксиращата гайка.

► Фиг.14: 1. Ключ за фиксираща гайка 2. Палец за блокиране на вала

За да свалите гъвкавия диск, изпълнете процедурата за монтаж в обратен ред.

Поставяне и сваляне на гъвкавия диск

Допълнителни аксесоари

▲ ПРЕДУПРЕЖДЕНИЕ: Винаги използвайте доставения предпазител, когато върху инструмента е поставен гъвкав диск. По време на работа дискът може да се разбие на парчета, а предпазителят намалява вероятността за нараняване.

- **Фиг.15:** 1. Фиксираща гайка 2. Гъвкав диск
3. Опорна подложка 4. Вътрешен фланец

Следвайте указанията за диск с вдлъбнат център, но също използвайте опорна подложка над диска.

Монтаж или демонтаж на абразивния диск

Допълнителни аксесоари

ЗАБЕЛЕЖКА: Използвайте посочените в настоящото ръководство принадлежности за шлифване. Те се закупуват отделно.

За модел 100 мм (4")

- **Фиг.16:** 1. Фиксираща гайка за абразивни дискове 2. Абразивен диск 3. Гумена подложка 4. Вътрешен фланец

1. Сложете вътрешния фланец на вретеното.
2. Монтирайте гумената подложка на шпиндела.
3. Сложете диска над гумената подложка и завийте шмиргеловата фиксираща гайка на вретеното.
4. Задръжте шпиндела с палеца за блокиране на вала и затегнете здраво шмиргеловата фиксиращата гайка с гаечен ключ по часовниковата стрелка.

За да свалите диска, изпълнете процедурата за монтаж в обратен ред.

За модел, различен от 100 мм (4")

- **Фиг.17:** 1. Фиксираща гайка за абразивни дискове 2. Абразивен диск 3. Гумена подложка

1. Монтирайте гумената подложка на шпиндела.
2. Сложете диска над гумената подложка и завийте шмиргеловата фиксираща гайка на вретеното.
3. Задръжте шпиндела с палеца за блокиране на вала и затегнете здраво шмиргеловата фиксиращата гайка с гаечен ключ по часовниковата стрелка.

За да свалите диска, изпълнете процедурата за монтаж в обратен ред.

Монтаж или демонтаж на гайка Ezynut

Допълнителни аксесоари

Само за инструменти с резба M14 на шпиндела.

Монтирайте вътрешен фланец, абразивна шайба и гайка Ezynut на шпиндела така, че логото на Makita на гайката Ezynut да остане откъс.

- **Фиг.18:** 1. Гайка Ezynut 2. Абразивна шайба
3. Вътрешен фланец 4. Шпиндел

Силно натиснете палеца за блокиране на вала и стегнете гайката Ezynut, като завъртите докрай абразивната шайба по часовниковата стрелка.

- **Фиг.19:** 1. Палец за блокиране на вала

За да развиете гайката Ezynut, завъртете външния й пръстен обратно на часовниковата стрелка.

ЗАБЕЛЕЖКА: Гайката Ezynut може да се развие на ръка, ако стрелката е срещу процепа. В противен случай за развиването ѝ се налага използването на ключ за фиксираща гайка. Поставете единия щифт на ключа в един от отворите и завъртете гайката Ezynut обратно на часовниковата стрелка.

- **Фиг.20:** 1. Стрелка 2. Процеп

- **Фиг.21**

Монтиране на абразивен диск за рязане/диамантен диск

Допълнителни аксесоари

▲ ПРЕДУПРЕЖДЕНИЕ: Когато използвате абразивен диск за рязане/диамантен диск, използвайте само предпазител, предназначен за ползване с дискове за рязане.

▲ ПРЕДУПРЕЖДЕНИЕ: НИКОГА не използвайте диск за рязане за странично шлайфане.

- **Фиг.22:** 1. Фиксираща гайка 2. Абразивен диск за рязане/диамантен диск 3. Вътрешен фланец 4. Предпазител за абразивен диск за рязане/диамантен диск

За монтажа следвайте указанията за диск с вдлъбнат център.

Посоката за монтиране на фиксиращата гайка и вътрешния фланец зависи от дебелината на диска. Вижте следващите фигури.

За модел 100 мм (4")

Когато монтирате абразивни дискове за рязане:

- **Фиг.23:** 1. Фиксираща гайка 2. Абразивен диск за рязане (по-тънък от 4 мм (5/32"))
3. Абразивен диск за рязане (4 мм (5/32")) или по-дебел 4. Вътрешен фланец

Когато монтирате диамантен диск:

- **Фиг.24:** 1. Фиксираща гайка 2. Диамантен диск (по-тънък от 4 мм (5/32")) 3. Диамантен диск (4 мм (5/32")) или по-дебел
4. Вътрешен фланец

За модел, различен от 100 мм (4")

Когато монтирате абразивни дискове за рязане:

- **Фиг.25:** 1. Фиксираща гайка 2. Абразивен диск за рязане (по-тънък от 4 мм (5/32")) 3. Абразивен диск за рязане (4 мм (5/32")) или по-дебел 4. Вътрешен фланец

Когато монтирате диамантен диск:

- **Фиг.26:** 1. Фиксираща гайка 2. Диамантен диск (по-тънък от 4 мм (5/32")) 3. Диамантен диск (4 мм (5/32")) или по-дебел 4. Вътрешен фланец

Монтиране на телена четка

Допълнителни аксесоари

⚠ВНИМАНИЕ: Не използвайте четка, която е повредена или дебалансирана. При използване на повредена четка се увеличава опасността от нараняване от откъснати телчета.

Поставете инструмента с горната част надолу, за да получите лесен достъп до шпиндела.

Махнете принадлежностите от вала. Завийте чашковидната телена четка върху вала и я затегнете с предоставения ключ.

- **Фиг.27:** 1. Телена четка

Монтиране на кръгла телена четка

Допълнителни аксесоари

⚠ВНИМАНИЕ: Не използвайте кръгла телена четка, която е повредена или едностранно износена. При използване на повредена кръгла телена четка се увеличава опасността от нараняване от откъснати телчета.

⚠ВНИМАНИЕ: Винаги използвайте предпазител при работа с кръгла телена четка, като диаметърът на диска на четката трябва да се покрива от предпазителя. По време на работа дискът може да се разбие на парчета, а предпазителят намалява вероятността за нараняване.

Поставете инструмента с горната част надолу, за да получите лесен достъп до шпиндела.

Махнете принадлежностите от вала. Завийте кръглата телена четка върху вала и затегнете с ключовете.

- **Фиг.28:** 1. Кръгла телена четка

Монтиране на приставка за изрязване на отвори

Допълнителни аксесоари

Поставете инструмента с горната част надолу, за да получите лесен достъп до шпиндела.

Отстранете всички принадлежностите от шпиндела. Завийте приставката за изрязване на отвори върху шпиндела и затегнете с доставения ключ.

- **Фиг.29:** 1. Приставка за изрязване на отвори

Монтиране на предпазител на диска с колектор за прах за шлайфане

Само за модел DGA456 / DGA506

Допълнителни аксесоари

В комбинация с опционални аксесоари можете да използвате този инструмент за фрезозане на бетонна повърхност.

⚠ВНИМАНИЕ: Предпазителят на диска с прахоуловител за диамантения диск с изместване трябва да се използва само при фрезозане на бетонна повърхност посредством диамантен диск с изместване. Не използвайте този предпазител с никакви други режещи аксесоари и за никакви други цели.

⚠ВНИМАНИЕ: Преди да започнете работа, се уверете, че към инструмента е свързана прахосмукачка и тя е включена.

Поставете инструмента с горната част надолу и монтирайте предпазителя на диска с колектор за прах.

Поставете вътрешния фланец на шпиндела.

Поставете чашковидния диамантен диск върху вътрешния фланец и затегнете фиксиращата гайка към шпиндела.

- **Фиг.30:** 1. Фиксираща гайка 2. Чашковиден диамантен диск 3. Чашковиден диамантен диск с фланец 4. Вътрешен фланец 5. Предпазител на диска с колектор за прах 6. Лагерна кутия

ЗАБЕЛЕЖКА: За информация относно начина на монтиране на предпазителя на диска с колектор за прах вижте ръководството на предпазителя на диска с колектор за прах.

Монтиране на предпазител на диска с колектор за прах за рязане

Допълнителни аксесоари

В комбинация с опционални аксесоари можете да използвате този инструмент за рязане на камък.

- **Фиг.31**

ЗАБЕЛЕЖКА: За информация относно начина на монтиране на предпазителя на диска с колектор за прах вижте ръководството на предпазителя на диска с колектор за прах.

Експлоатация

▲ ПРЕДУПРЕЖДЕНИЕ: Никога не трябва да се налага да насилвате инструмента. Самото тегло на инструмента прилага достатъчен натиск. Насилването и прекомерният натиск могат да доведат до опасно счупване на диска.

▲ ПРЕДУПРЕЖДЕНИЕ: ЗАДЪЛЖИТЕЛНО сменете диска, ако изпуснете инструмента по време на шлифование.

▲ ПРЕДУПРЕЖДЕНИЕ: НИКОГА не удряйте с диска по обработвания детайл.

▲ ПРЕДУПРЕЖДЕНИЕ: Не позволявайте на диска да подскача или да се нащърбва, особено когато обработвате ъгли, остри ръбове и др. Това може да доведе до загуба на контрол и обратен удар.

▲ ПРЕДУПРЕЖДЕНИЕ: НИКОГА не използвайте инструмента с дискове за рязане на дърво и други циркулярни дискове. Когато се използват с ъглошлайф, тези дискове често отскачат и водят до загуба на контрол и нараняване.

▲ ВНИМАНИЕ: Не включвайте инструмента, когато е в контакт с детайла, защото има опасност от нараняване на оператора.

▲ ВНИМАНИЕ: По време на работа задължително носете предпазни очила или маска за лицето.

▲ ВНИМАНИЕ: След приключване на работа изключете инструмента и изчакайте дискът да спре окончателно, преди да го оставите на земята.

▲ ВНИМАНИЕ: ВИНАГИ дръжте инструмента здраво с едната ръка за корпуса, а с другата – за страничната ръкохватка (дръжка).

ЗАБЕЛЕЖКА: Диск с двойно предназначение може да се използва както за шлайфане, така и за рязане.

Вижте „Шлайфане и шлифование“ за шлайфане и „Работа с абразивен диск за рязане/диамантен диск“ за рязане.

Шлайфане и шлифование

► Фиг.32

Включете инструмента и след това допрете диска до детайла за обработване.

Общо взето дръжте ръба на диска под ъгъл от около 15° спрямо повърхността на обработваемия детайл. През периода на разработване на нов диск не работете с ъглошлайфа в посока напред, иначе ще се вреже в обработваемия детайл. Когато ръбът на диска е окръглен от използване, с диска може да се работи както в посока напред, така и в посока назад.

Пример за употреба: работа с чашковиден диамантен диск

► Фиг.33

Дръжте инструмента хоризонтално и прилагайте целия чашковиден диамантен диск към повърхността на обработвания детайл.

Работа с абразивен диск за рязане/диамантен диск

Допълнителни аксесоари

▲ ПРЕДУПРЕЖДЕНИЕ: Не „заклинвайте“ диска и не упражнявайте прекален натиск. Не се опитвайте да режете прекалено дълбоко. Прекомерният натиск върху диска увеличава натоварването и вероятността дискът да се усуче или да задере в разреза, както и вероятността от обратен удар, счупване на диска и прегряване на двигателя.

▲ ПРЕДУПРЕЖДЕНИЕ: Не започвайте да режете с диск, опрян на детайла за обработване. Изчакайте диска да достигне пълни обороти и внимателно го вкарайте в среза, като движите инструмента напред по повърхността на детайла за обработване. Дискът може да задере, да излезе или да произведе обратен удар, ако инструментът бъде включен, докато е в допир с обработвания детайл.

▲ ПРЕДУПРЕЖДЕНИЕ: Не променяйте ъгъла на диска по време на рязане. Упражняването на страничен натиск върху диска за рязане (като при шлайфане) ще доведе до спукване и счупване на диска и тежко нараняване.

▲ ПРЕДУПРЕЖДЕНИЕ: Диамантените дискове трябва да се държат перпендикулярно на материала, който се реже.

Пример за употреба: работа с абразивен диск за рязане

► Фиг.34

Пример за употреба: работа с диамантен диск

► Фиг.35

Работа с телена четка

Допълнителни аксесоари

▲ ВНИМАНИЕ: Проверете работата на четката чрез включване на инструмента без товар, след като сте се уверили, че няма никого пред или до четката.

БЕЛЕЖКА: Не прекалявайте с натиска, тъй като това предизвиква прекомерно огъване на телевите при работа с чашковидната телена четка. Това може да доведе до преждевременното им отчупване.

Пример за употреба: работа с чашковидната телена четка

► Фиг.36

Работа с кръгла телена четка

Допълнителни аксесоари

⚠ВНИМАНИЕ: Проверете дали кръглата телена четка работи, като включите инструмента без товар, след като сте се уверили, че няма никого пред или до четката.

БЕЛЕЖКА: Не прекалявайте с натиска, понеже това предизвиква прекомерно огъване на телеве при работа с кръглата телена четка. Това може да доведе до преждевременното им отчупване.

Пример за употреба: работа с кръгла телена четка

► Фиг.37

Работа с приставката за изрязване на отвори

Допълнителни аксесоари

⚠ВНИМАНИЕ: Проверете работата на приставката за изрязване на отвори чрез включване на инструмента без товар, след като сте се уверили, че няма човек пред приставката за изрязване на отвори.

БЕЛЕЖКА: По време на работа не накланяйте инструмента. Това може да доведе до преждевременното счупване.

Пример за употреба: работа с приставка за изрязване на отвори

► Фиг.38

ПОДДРЪЖКА

⚠ВНИМАНИЕ: Преди да проверявате или извършвате поддръжка на инструмента, се уверете, че той е изключен и акумулаторната батерия е извадена.

БЕЛЕЖКА: Не използвайте бензин, нафта, разределител, спирт и др. подобни. Това може да причини обезцветяване, деформация или пукнатини.

За да се поддържа БЕЗОПАСНОСТТА и НАДЕЖНОСТТА на продукта, ремонтите, поддръжката или регулирането трябва да се извършват от упълномощен сервиз или фабрични сервизни центрове на Makita, като винаги трябва да използвате резервни части от Makita.

Почистване на вентилационните отвори

Инструментът и неговите вентилационни отвори трябва да се поддържат чисти. Почиствайте вентилационните отвори на инструмента редовно или когато започнат да се запушват.

► **Фиг.39:** 1. Изходящ вентилационен отвор
2. Входящ вентилационен отвор

Свалете капака против прах от отвора за засмукване на въздух и го почистете, за да има по-добра циркулация на въздух.

► **Фиг.40:** 1. Капак против прах

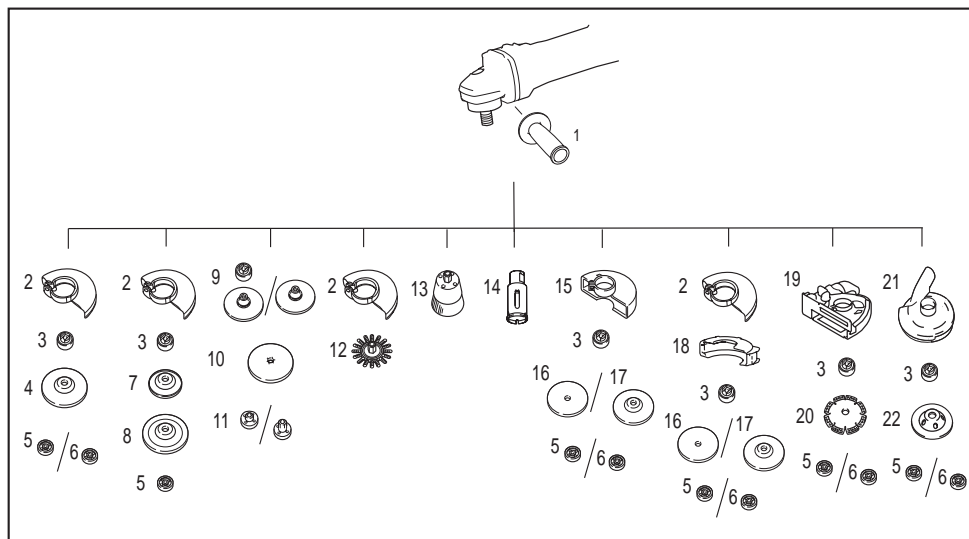
БЕЛЕЖКА: Почистете капака против прах, ако е задръстен с прах или чужди тела. Ако продължите да работите със задръстен капак против прах, може да повредите инструмента.

КОМБИНАЦИЯ ОТ ПРИЛОЖЕНИЯ И АКСЕСОАРИ

Допълнителни аксесоари

▲ВНИМАНИЕ: Използването на инструмента с неподходящи предпазители може да създаде следните рискове.

- Когато използвате предпазител за диск за рязане за повърхностно шлайфане, предпазителят на диска може да си пречи с обработвания детайл и да е причина за лош контрол.
- Когато използвате предпазител за диск за шлифване за рязане с метализирани абразивни шайби и диамантени дискове, съществува повишен риск от контакт с въртящите се дискове, образуваните искри и частици, както и от контакт с отломки от диска в случай на пръсване на диска на парчета.
- Когато използвате предпазител за диск за рязане или предпазител на диск за шлифване за повърхностни операции с чашковидни диамантени дискове, предпазителят на диска може да си пречи с обработвания детайл и да е причина за лош контрол.
- Когато използвате предпазител за диск за рязане или предпазител на диск за шлифване с кръгла телена четка с дебелина над максималната дебелина, посочена в „СПЕЦИФИКАЦИИ“, телчетата може да се захванат за предпазителя, което ще доведе до скъсването им.
- Използването на предпазители на диска с колектор за прах за рязане и повърхностни операции на бетон или хоросан намалява риска от излагане на прах.
- Когато използвате дискове с двойно предназначение (комбиниран абразив за шлайфане и рязане), монтирани на фланец, използвайте само предпазител за диск за рязане.



-	Приложение	Модел 100 мм	Модел 115 мм	Модел 125 мм
1	-	Странична дръжка		
2	-	Предпазител за диска (за диск за шлифване)		
3	-	Вътрешен фланец		
4	Шлайфане/шлифване	Диск с вдлъбнат център/Ламелен диск		
5	-	Фиксираща гайка		
6	-	-	Гайка Ezynut *1	
7	-	Опорна подложка		
8	Шлайфане	Гъвкав диск		
9	-	Вътрешен фланец и гумена подложка 76	Гумена подложка 100	Гумена подложка 115
10	Шлифване	Абразивен диск		
11	-	Фиксираща гайка за абразивни дискове		

-	Приложение	Модел 100 мм	Модел 115 мм	Модел 125 мм
12	Почистване с телена четка	Кръгла телена четка		
13	Почистване с телена четка	Телена четка		
14	Изрязване на отвори	Приставка за изрязване на отвори		
15	-	Предпазител на диска (за диск за рязане)		
16	Рязане	Абразивен диск за рязане/диамантен диск		
17	Шлайфане/рязане	Диск с двойно предназначение		
18	-	Предпазител на диск за рязане с фиксатор *2		
19	-	Предпазител на диска с колектор за прах за рязане *3		
20	Рязане	Диамантен диск		
21	-	-	Предпазител на диска с колектор за прах за шлайфане *4	
22	Шлайфане	-	Чашковиден диамантен диск *4	
-	-	Ключ за фиксираща гайка		

ЗАБЕЛЕЖКА: *1 Само за инструменти с резба M14 на шпиндела.

ЗАБЕЛЕЖКА: *2 Приставката за предпазителя на диска за рязане с фиксатор не се предлага в някои държави. За повече подробности вижте ръководството за експлоатация на приставката за рязане на предпазителя на диска с фиксатор.

ЗАБЕЛЕЖКА: *3 За повече подробности вижте ръководството на предпазителя.

ЗАБЕЛЕЖКА: *4 Само за модел DGA456 / DGA506

За повече подробности вижте ръководството на предпазителя.

ДОПЪЛНИТЕЛНИ АКСЕСОАРИ

⚠ ВНИМАНИЕ: Препоръчва се използването на тези аксесоари или накрайници с вашия инструмент Makita, описан в настоящото ръководство. Използването на други аксесоари или накрайници може да доведе до опасност от телесни повреди. Използвайте съответния аксесоар или накрайник само по предназначение.

Ако имате нужда от помощ за повече подробности относно тези аксесоари, се обърнете към местния сервизен център на Makita.

- Оригинална акумулаторна батерия и зарядно устройство на Makita
- Аксесоари, посочени в „КОМБИНАЦИЯ ОТ ПРИЛОЖЕНИЯ И АКСЕСОАРИ“

ЗАБЕЛЕЖКА: Някои артикули от списъка може да са включени в комплекта на инструмента, като стандартни аксесоари. Те може да са различни в различните държави.

SPECIFIKACIJE

Model:		DGA406	DGA456	DGA506
Primjenjiva brusna ploča	Maks. promjer ploče	100 mm	115 mm	125 mm
	Maks. debljina ploče	6,4 mm	7,2 mm	
Primjenjiva rezna ploča	Maks. promjer ploče	105 mm	115 mm	125 mm
	Maks. debljina ploče	3,2 mm		
Primjenjiva žičana četka	Maks. promjer ploče	100 mm	115 mm	125 mm
	Maks. debljina ploče	20 mm		
Navoj vretena		M10	M14 ili 5/8" (ovisno o zemlji)	
Maks. duljina vretena		18 mm	23 mm	
Broj okretaja bez opterećenja (n ₀) / nazivni broj okretaja (n)		8.500 min ⁻¹		
Ukupna dužina		uz BL1840B 362 mm		
Neto težina		2,2 – 3,7 kg	2,3 – 3,8 kg	2,4 – 3,8 kg
Nazivni napon		DC 18 V		

- Zahvaljujući našem stalnom programu razvoja i istraživanja, navedene specifikacije podložne su promjenama bez obavijesti.
- Specifikacije mogu biti različite ovisno o zemlji.
- Težina se može razlikovati ovisno o opremi, uključujući baterijski uložak. Najlakša i najteža kombinacija, sukladno postupku EPTA 01/2014, prikazane su u nastavku.

Odgovarajući baterijski uložak i punjač

Baterija	BL1815N / BL1820B / BL1830B / BL1840B / BL1850B / BL1860B
Punjač	DC18RC / DC18RD / DC18RE / DC18SD / DC18SE / DC18SF / DC18SH / DC18WC

- Neki od navedenih baterijskih uložaka i punjača možda neće biti dostupni ovisno o regiji u kojoj se nalazite.

⚠ UPOZORENJE: Upotrebite samo navedene baterijske uloške i punjače. Upotreba bilo koje druge vrste baterijskih uložaka i punjača može prouzročiti ozljede i/ili požar.





Preporučeni izvor napajanja spojen kabelom

Prijenosno napajanje	PDC01
----------------------	-------

- Prethodno navedeni izvori napajanja spojeni kabelom možda neće biti dostupni ovisno o regiji u kojoj se nalazite.
- Prije upotrebe izvora napajanja spojenog kabelom pročitajte upute i znakove opreza koji se na njima nalaze.

Simboli

U nastavku su prikazani simboli koji se upotrebljavaju za opremu. Prije korištenja provjerite jeste li razumjeli njihovo značenje.

	Pročitajte priručnik s uputama.
	Nosite zaštitne naočale.
	Uvijek rukujte objema rukama.
	Nemojte koristiti štitnik ploče za radove rezanja.



Samo za države EU
Zbog prisutnosti opasnih komponenti u opremi, otpadna električna i elektronička oprema, akumulatori i baterije i mogu imati negativan učinak na okoliš i ljudsko zdravlje.

Nemojte odlagati električne i elektroničke uređaje ili baterije s ostalim kućanskim otpadom!

U skladu s Europskom direktivom o otpadnoj električnoj i elektroničkoj opremi, o akumulatorima i baterijama te o otpadnim akumulatorima i baterijama, i njenoj prilagodbi nacionalnim zakonima, otpadna električna oprema, baterije i akumulatori trebali bi se pohranjivati zasebno i isporučivati u odvojena sabirna mjesta za komunalni otpad, koja postupaju u skladu s uredbama o zaštiti okoliša.

To je naznačeno simbolom prekržižene kante za otpad na kotačima koja je postavljena na opremi.

Namjena

Alat je namijenjen brušenju, pjeskarenju, četkanju žičanom četkom, rezanju otvora i rezanju materijala od metala i kamena bez upotrebe vode.

Buka

Tipična jačina buke označena s A, određena sukladno EN62841-2-3:

Model	Razina tlaka zvuka (L_{pA}): (dB(A))	Razina tlaka zvuka (L_{wA}): (dB(A))	Neodređenost (K): (dB(A))
DGA406	83	91	3
DGA456	82	90	3
DGA506	82	90	3

NAPOMENA: Deklarirana vrijednost emisije buke izmjerena je prema standardnoj metodi testiranja i može se rabiti za usporedbu jednog alata s drugim.

NAPOMENA: Deklarirana vrijednost emisije buke također se može rabiti za preliminarnu procjenu izloženosti.

⚠ UPOZORENJE: Nosite zaštitu za uši.

⚠ UPOZORENJE: Emisija buke tijekom stvarnog korištenja električnog ručnog alata se može razlikovati od deklariranih vrijednosti emisije, ovisno o načinu na koji se alat rabi, posebice ovisno o tome kakav se izradak izrađuje.

⚠ UPOZORENJE: Nemojte zaboraviti da identifikirate sigurnosne mjere zaštite rukovatelja koje se temelje na procjeni izloženosti u stvarnim uvjetima korištenja (uzimajući u obzir sve dijelove radnog ciklusa, poput vremena kada je alat isključen i kada on radi u praznom hodu, a također i vrijeme okidanja).

⚠ UPOZORENJE: Brušenje tankih limova metala ili drugih lako vibrirajućih konstrukcija s velikom površinom može rezultirati ukupnom emisijom buke mnogo većom (do 15 dB) od deklariranih vrijednosti emisije buke.

Postavite teške fleksibilne prigušne prostirke ili slično na te izratke kako biste spriječili da emitiraju buku.

Povećanu emisiju buke uzmite u obzir i za procjenu rizika od izloženosti buci i za odabir prikladne zaštite sluha.

Vibracija

Ukupna vrijednost vibracija (troosni vektorski zbir) izračunata u skladu s EN62841-2-3:

Način rada: brušenje površine s normalnom bočnom ručkom

Model	Emisija vibracija ($a_{h,AG}$): (m/s ²)	Neodređenost (K): (m/s ²)
DGA406	4,5	1,5
DGA456	6,5	1,5
DGA506	6,5	1,5

Način rada: brušenje površine s antivibracijskom bočnom ručkom

Model	Emisija vibracija ($a_{h,AG}$): (m/s ²)	Neodređenost (K): (m/s ²)
DGA406	4,0	1,5
DGA456	6,0	1,5
DGA506	6,0	1,5

Način rada: disk za fino brušenje s normalnom bočnom ručkom

Model	Emisija vibracija ($a_{h,DS}$): (m/s ²)	Neodređenost (K): (m/s ²)
DGA406	2,5 m/s ² ili manje	1,5
DGA456	2,5 m/s ² ili manje	1,5
DGA506	2,5 m/s ² ili manje	1,5

Način rada: disk za fino brušenje s antivibracijskom bočnom ručkom

Model	Emisija vibracija ($a_{h,DS}$): (m/s ²)	Neodređenost (K): (m/s ²)
DGA406	2,5 m/s ² ili manje	1,5
DGA456	2,5 m/s ² ili manje	1,5
DGA506	2,5 m/s ² ili manje	1,5

NAPOMENA: Deklarirana vrijednost ukupnih vibracija izmjerena je prema standardnoj metodi testiranja i može se rabiti za usporedbu jednog alata s drugim.

NAPOMENA: Deklarirana vrijednost ukupnih vibracija također se može rabiti za preliminarnu procjenu izloženosti.

⚠ UPOZORENJE: Emisija vibracija tijekom stvarnog korištenja električnog ručnog alata se može razlikovati od deklariranih vrijednosti emisije, ovisno o načinu na koji se alat rabi, posebice ovisno o tome kakav se izradak izrađuje.

⚠ UPOZORENJE: Nemojte zaboraviti da identificirate sigurnosne mjere zaštite rukovatelja koje se temelje na procjeni izloženosti u stvarnim uvjetima korištenja (uzimajući u obzir sve dijelove radnog ciklusa, poput vremena kada je alat isključen i kada on radi u praznom hodu, a također i vrijeme okidanja).

⚠ UPOZORENJE: Deklarirana vrijednost emisije vibracija se rabi kod glavnih primjena električnog ručnog alata. Međutim, ako se električni ručni alat koristi za druge primjene, vrijednost emisije vibracija se može razlikovati.

Izjava o sukladnosti EZ

Samo za države članice Europske unije

Izjava o sukladnosti EZ u prilogu je Priloga A ovih uputa za upotrebu.

SIGURNOSNA UPOZORENJA

Opća sigurnosna upozorenja za električne ručne alate

⚠ UPOZORENJE Pročitajte sva sigurnosna upozorenja, upute, ilustracije i specifikacije priložene uz ovaj električni alat. Nepridržavanje svih uputa navedenih u nastavku može rezultirati strujnim udarom, požarom i/ili teškim ozljedama.

Sačuvajte sva upozorenja i upute radi kasnijeg korištenja.

Pojam „električni alat“ u upozorenjima odnosi se na električni (kabelski) alat uključen u struju ili na bežične električne alate (na baterije).

Sigurnosna upozorenja za bežičnu brusilicu

Sigurnosna upozorenja zajednička za brušenje, pješarenje, četkanje žičanom četkom ili radove rezanja:

1. **Ovaj električni alat namijenjen je uporabi kao brusilica, polirna brusilica, žičana četka, rezač otvora ili rezni alat.** Pročitajte sva sigurnosna upozorenja, upute, ilustracije i specifikacije priložene uz ovaj električni alat. Nepridržavanje svih uputa navedenih u nastavku može rezultirati strujnim udarom, požarom i/ili ozbiljnim ozljedama.
2. **Postupke poput poliranja nemojte izvoditi s pomoću ovog električnog alata.** Radnje za koje električni alat nije namijenjen mogu stvoriti opasnost i prouzročiti tjelesne ozljede.
3. **Ovaj električni alat nemojte mijenjati tako da radi na način na koji nije namijenjen i kako to ne navodi proizvođač alata.** Takva bi preinaka mogla dovesti do gubitka kontrole i mogla bi izazvati teške osobne ozljede.

4. **Nemojte upotrebljavati dodatke koji nisu posebno napravljeni i koje ne navodi proizvođač.** Samo zato što se dodatak može montirati na vaš električni ručni alat ne znači da je zajamčen siguran rad.
5. **Nazivna brzina dodatka mora biti najmanje jednaka maksimalnoj brzini navedenoj na električnom ručnom alatu.** Dodaci koji rade brže od nazivne brzine mogu se slomiti, a dijelovi se mogu rasuti naokolo.
6. **Vanjski promjer i debljina dodataka mora odgovarati nazivnom kapacitetu električnog alata.** Neodgovarajući dodaci ne mogu se primjerenom zaštititi niti kontrolirati.
7. **Dimenzije nosača pribora moraju odgovarati dimenzijama pribora za montažu električnog alata.** Dodaci koji ne odgovaraju priboru za montažu električnog ručnog alata bit će izbačeni iz ravnoteže, previše će vibrirati i mogu uzrokovati gubitak kontrole.
8. **Ne upotrebljavajte oštećene dodatke.** Prije svake uporabe provjerite dodatke, primjerice ima li na abrazivnim pločama krotina i pukotina, ima li na potpornoj podlozi pukotina, kidanja ili prekomjerne istrošenosti, ima li žičana četka olabavljene ili prekinute žice. **Ako vam električni alat ili dodatak ispadne, provjerite ima li oštećenja ili postavite neoštećeni dodatak.** Nakon provjere i postavljanja dodatka, odmaknite se i udaljite promatrače od ravnine rotirajućeg dodatka i pustite električni ručni alat da jednu minutu radi bez opterećenja pri maksimalnoj brzini. Oštećeni dodaci obično se slome tijekom tog testa.
9. **Nosite osobnu zaštitnu opremu.** Ovisno o primjeni, koristite se štitnikom za lice, zaštitom za oči ili zaštitnim naočalama. Ako je potrebno, nosite masku za prašinu, zaštitu za uši, rukavice i radioničku pregaču koja može zaustaviti male abrazivne djeliće ili djeliće komada. Zaštita za oči mora zaustaviti leteće krotine koje su moguće pri raznim načinima primjene. Maska za zaštitu od prašine ili respirator mora filtrirati čestice nastale tijekom određenog načina primjene. Dulja izloženost jakoj buci može prouzročiti gubitak sluha.
10. **Držite druge osobe na sigurnoj udaljenosti od radnog područja.** Svako tko uđe u radno područje mora nositi osobnu zaštitnu opremu. Djelići komada ili polomljenog dodatka mogu odletjeti i prouzročiti ozljedu izvan neposrednog radnog područja.

11. **Držite električni ručni alat za izolirane ruko-hvatne površine kada izvodite operaciju pri kojoj rezni alat može doći u dodir sa skrivenim vodičima.** Dodir s vodičem pod naponom može dovesti pod napon izložene metalne dijelove električnog ručnog alata te prouzročiti strujni udar kod rukovatelja.
12. **Nikada ne spuštajte električni ručni alat sve dok se dodatak potpuno ne zaustavi.** Rotirajući dodatak može zahvatiti površinu, a električni ručni alat može se oštetiti kontroli.
13. **Nemojte uključivati električni ručni alat dok ga nosite pored sebe.** Slučajni dodir s rotirajućim dodatkom može zahvatiti vašu odjeću, povlaćeći dodatak prema vašem tijelu.
14. **Redovito čistite ventilacijske otvore električnog ručnog alata.** Ventilator motora uvući će prašinu u kućište, a prekomjerno nakupljanje metalne prašine predstavlja opasnost od strujnog udara.
15. **Ne radite s električnim ručnim alatom u blizini zapaljivih materijala.** Iskre mogu zapaliti te materijale.
16. **Ne rabite dodatke koji zahtijevaju rashladne tekućine.** Korištenje vode ili drugih rashladnih tekućina može rezultirati smrću ili šokom uslijed strujnog udara.

Povratni udar i povezana upozorenja:

Povratni udar je trenutna reakcija na priklještenu ili zaglavljenu rotirajuću ploču, potpurnu podlogu, četku ili bilo koji drugi dodatak. Ako se rotirajući dodatak priklješti ili zaglavi, on brzo prestaje raditi, čime se gubi kontrola nad električnim alatom, a alat se počinje prisilno okretati u smjeru suprotnom od dodatka na točki zaglavljivanja. Ako je, primjerice, komad zaglavio ili priklještićio abrazivnu ploču, rub ploče koji ulazi u točku priklješćenja može se ukopati u površinu materijala, što će dovesti do iskakanja ili izbacivanja ploče. Ploča može skočiti prema rukovatelju ili odskočiti od njega, ovisno o smjeru kretanja ploče u točki priklješćenja. Abrazivne bi se ploče pod tim okolnostima mogle i slomiti. Povratni udar rezultat je pogrešne uporabe električnog ručnog alata i/ili nepravilnih radnih postupaka ili uvjeta i može se spriječiti poduzimanjem prikladnih mjera opreza kao što je navedeno u nastavku.

1. **Čvrsto držite električni ručni alat s obje ruke, a svoje tijelo i ruke namjestite tako da možete izdržati sile povratnog udara.** Uvijek se koristite pomoćnom ručicom, ako postoji, radi maksimalne kontrole povratnog udara ili reakcije na zakretni moment tijekom pokretanja. Rukovatelj može kontrolirati reakcije na zakretni moment ili sile povratnog udara ako poduzme prikladne mjere opreza.
2. **Nikada ne stavljajte ruku blizu rotirajućeg dodatka.** Dodatak može biti odbačen na vašu ruku.
3. **Tijelo držite podalje od područja gdje bi se električni ručni alat mogao pomaknuti ako dođe do povratnog udara.** Povratni udar gurnut će alat u smjeru suprotnom od kretanja ploče u točki zaglavljivanja.
4. **Budite posebno oprezni kada obrađujete kutove, oštre rubove itd. Spriječite odsakanje i zaglavljivanje dodatka.** Kutovi, oštri rubovi ili odsakanje mogu zaglaviti rotirajući dodatak i prouzročiti gubitak kontrole ili povratni udar.

5. **Nemojte pričvrstiti lanac pile, list za rezbarenje drveta, segmentiranu dijamantnu ploču širine reznog dijela preko 10 mm ili nazubljeni list pile.** Takvi listovi dovode do čestih povratnih udara i gubitka kontrole.

Sigurnosna upozorenja specifična za radove brušenja i rezanja:

1. **Rabite samo one vrste ploča koje su navedene za vaš električni alat i poseban štitnik za odabranu ploču.** Ploče koje nisu predviđene za upotrebu s alatom ne mogu se zaštititi na odgovarajući način i nisu sigurne.
2. **Brusna površina kojenastih ploča mora se montirati ispod ravnine ruba štitnika.** Neispravno montirana ploča koja strši kroz ravninu ruba štitnika ne može se primjereno zaštititi.
3. **Štitnik se mora čvrsto montirati na električni ručni alat i namjestiti tako da bude maksimalno siguran, tako da najmanji dio ploče bude izložen prema rukovatelju.** Štitnik pomaže rukovatelju da se zaštići od odlomljenih dijelica ploče, slučajnog dodirivanja ploče i iskri koje bi mogle zapaliti odjeću.
4. **Ploče se smiju upotrebljavati samo za navedene primjene. Na primjer: nemojte brusiti bočnom stranom rezne ploče.** Abrazivne rezne ploče namijenjene su perifernom brušenju, a bočne sile koje djeluju na ove ploče mogu uzrokovati njihov lom.
5. **Uvijek rabite neoštećene prirubnice ploča ispravnog promjera za odabranu ploču.** Ispravne prirubnice ploča podupiru ploče, smanjujući mogućnost njihovog pucanja. Prirubnice za rezne ploče mogu se razlikovati od prirubnica brusnih ploča.
6. **Ne upotrebljavajte istrošene ploče s većih električnih ručnih alata.** Ploča koja je namijenjena većem električnom alatu nije prikladna za veću brzinu manjeg alata i može puknuti.
7. **Kada koristite ploče s dvostrukom namjenom, uvijek koristite odgovarajući štitnik za primjenu koja se izvodi.** Ako koristite neodgovarajući štitnik, on možda neće pružiti željenu razinu zaštite, što može dovesti do ozbiljnih ozljeda.

Dodatna sigurnosna upozorenja specifična za radove rezanja:

1. **Nemojte „zaglavljivati” reznu ploču niti primjenjivati prekomjerni pritisak. Nemojte pokušavati napraviti preduboki rez.** Prekomjerno naprezanje ploče povećava opterećenje i osjetljivost na uvijanje ili zaglavljivanje ploče u rezu, kao i mogućnost povratnog udara ili pucanja ploče.
2. **Tijelo nemojte držati u ravnini niti iza rotirajućeg ploče.** Ako se ploča u trenutku rada udaljava od vašeg tijela, mogući povratni udar može gurnuti rotirajuću ploču naprijed i gurnuti električni ručni alat direktno na vas.
3. **Kada se ploča zaglavi ili se rezanje iz nekog razloga prekine, isključite električni alat i držite ga u nepokretnom stanju sve dok se ploča u potpunosti ne zaustavi.** Nikada nemojte pokušavati vaditi ploču iz reza dok se rezna ploča okreće jer može doći do povratnog udara. Ispitajte i poduzmite odgovarajuću korektivnu mjeru kako biste otklonili uzrok zaglavljivanja ploče.

4. **Nemojte ponovno pokretati postupak rezanja na komadu.** Pustite ploču da dostigne punu brzinu i oprezno ponovno uđite u rez. Ako se električni ručni alat ponovno pokrene u komadu, ploča se može zaglaviti, podići ili napraviti povratni udar.
5. **Poduprite ploče i svaki veći komad kako biste minimizirali rizik od priklještenja i povratnog udara.** Veliki komadi često popuštaju pod vlastitom težinom. Ispod komada, blizu linije reza i blizu ruba komada na obje strane ploče moraju se postaviti potpore.
6. **Budite posebno oprezni kada režete „džepove“ u postojećim zidovima ili drugim slijepim površinama.** Prodiruća ploča može prerezati cijevi za plin i vodu, električne žice ili predmete koji mogu prouzročiti povratni udar.
7. **Ne pokušavajte izvoditi zakrivljeno rezanje.** Prekomjerno naprezanje ploče povećava opterećenje i osjetljivost na uvijanje ili zaglavljivanje ploče u rezu, kao i mogućnost povratnog udara ili pucanja ploče, što može dovesti do ozbiljnih ozljeda.
8. **Prije uporabe segmentirane dijamantne rezne ploče provjerite je li širina reznog dijela dijamantne rezne ploče 10 mm ili manje, samo s negativnim reznim kutom.**

Sigurnosna upozorenja specifična za radove pjeskarska:

1. **Koristite brusni papir za disk odgovarajuće veličine.** Pri odabiru brusnog papira slijedite preporuke proizvođača. Veći brusni papir koji strši izvan podloška za pjeskarenje predstavlja opasnost od cijepanja i može prouzročiti zaglavljivanje, kidanje diska ili povratni udar.

Sigurnosna upozorenja specifična za radove koji se izvode žičanom četkom:

1. **Imajte na umu da s četke ispadaju čekinje čak i tijekom običnog rada.** Nemojte previše naprezati žice prekomjernim opterećivanjem četke. Žičane čekinje mogu lako probiti tanku odjeću i/ili kožu.
2. **Ako je za četkanje žičanom četkom navedena upotreba štitnika, pazite da štitnik ne ometa žičanu četku ili četku.** Promjer žičane ploče ili četke može se povećati uslijed radnog opterećenja i centrifugalnih sila.

Dodatna sigurnosna upozorenja:

1. **Ako koristite koljenaste brusne ploče, obvezno koristite samo ploče od ojačanih staklenih vlakana.**
2. **NE KORISTITE ploče tipa kamene šalice s ovom brusilicom.** Ova brusilica nije namijenjena za te tipove ploča i korištenje takvog proizvoda može rezultirati ozbiljnim ozljedama.
3. **Pazite da ne oštetite vreteno, prirubnicu (posebno instalacijsku površinu) ili sigurnosnu maticu.** Oštećenje tih dijelova može uzrokovati pucanje ploče.
4. **Prije uključivanja sklopke provjerite dodiruje li ploča izradak.**
5. **Prije nego što upotrijebite alat na stvarnom izratku, pustite ga da radi neko vrijeme.** Obratite pažnju na vibraciju ili ljuljanje koje bi moglo ukazivati na lošu instalaciju ili loše balansiranu ploču.

6. **Rabite navedenu površinu ploče za brušenje.**
7. **Ne ostavljajte alat da radi.** Alatom radite isključivo držeći ga u ruci.
8. **Ne dodirujte izradak odmah nakon rada; može biti izuzetno vruć i mogao bi vas opeći.**
9. **Ne dodirujte dodatni pribor odmah nakon rada; može biti izuzetno vruć i mogao bi vam opeći kožu.**
10. **Slijedite upute proizvođača za pravilnu montažu i uporabu ploča.** Pozorno rukujte i skladištite ploče.
11. **Ne koristite čahure ili adaptore za redukciju za podešavanje abrazivnih ploča s velikim otvorom.**
12. **Koristite samo prirubnice propisane za ovaj alat.**
13. **Za alate koji trebaju biti opremljeni pločom s navojnim otvorom provjerite je li navoj ploče dovoljno dug za dotično vreteno.**
14. **Provjerite je li izradak pravilno podložen.**
15. **Imajte na umu da se ploča i dalje okreće nakon isključivanja alata.**
16. **Ako je radno mjesto iznimno vruće i vlažno ili puno prašine koja provodi električnu energiju, upotrijebite kratkospojnu učinsku sklopku (30 mA) kako rukovateljeva sigurnost ne bi bila ugrožena.**
17. **Ne koristite alat na materijalima koji sadrže azbest.**
18. **Kada upotrebljavate reznu ploču, uvijek radite sa štitnikom ploče protiv prašine ako to zahtijevaju lokalni zakonski propisi.**
19. **Rezni diskovi ne smiju se bočno pritiskati.**
20. **Nemojte nositi platnene rukavice tijekom rada.** Vlakna iz platnenih rukavica mogu ući u alat, što uzrokuje pucanje alata.
21. **Prije rada provjerite da u izratku nema ukopanih objekata kao što su električne, vodovodne ili plinske instalacije.** U suprotnome može doći do strujnog udara, curenja struje ili curenja plina.
22. **Ako je za ploču pričvršćen brtveni upijajući prsten, nemojte ga uklanjati.** Promjer brtvenog upijajućeg prstena mora biti veći od sigurnosne matice, vanjske prirubnice i unutarnje prirubnice.
23. **Prije postavljanja brusne ploče, uvijek provjerite ima li upijajući brtveni prsten nepravilnosti kao što su rhotine ili pukotine.**
24. **Pravilno zategnite sigurnosnu maticu.** Prekomjerno zatezanje ploče može prouzročiti puknuće, a nedovoljno zatezanje može prouzročiti podrtavanje.

ČUVAJTE OVE UPUTE.

⚠️ UPOZORENJE: NEMOJTE dozvoliti da udobnost ili znanje o proizvodu (stečeno stalnim korištenjem) zamijene strogo pridržavanje sigurnosnih propisa za određeni proizvod. **ZLOUPORABA** ili nepridržavanje sigurnosnih propisa navedenih u ovom priručniku s uputama mogu prouzročiti ozbiljne ozljede.

Važne sigurnosne upute za bateriju

- Prije uporabe baterije pročitajte sve upute i oznake upozorenja na (1) punjaču za baterije, (2) bateriji i (3) proizvodu koji koristi bateriju.**
- Nemojte rastavljati ili izmjenjivati baterijski uložak.** To može dovesti do požara, pretjeranog zagrijavanja ili eksplozije.
- Ako se vrijeme rada znatno skratilo, odmah prestanite raditi.** Može doći do pregrijavanja, mogućih opekline pa čak i eksplozije.
- Ako vam elektrolit dospje u oči, isperite ih čistom vodom i odmah se obratite liječniku.** Tako možete izgubiti vid.
- Nemojte kratko spajati bateriju:**
 - Ne dovodite terminale u kontakt s provodljivim materijalima.**
 - Ne čuvajte bateriju u spremniku s drugim metalnim predmetima poput čavala, kovanica itd.**
 - Ne izlažite bateriju vodi ili kiši.** Kratki spoj baterije može uzrokovati velik protok struje, pregrijavanje, moguće opekline pa čak i kvar.
- Ne držite i ne upotrebljavajte alat i baterijski uložak na mjestima gdje temperatura može premašiti 50 °C (122 °F).**
- Ne spaljujte bateriju čak ni ako je ozbiljno oštećena ili potpuno istrošena.** Baterija može eksplodirati u vatri.
- Nemojte zabijati čavle u baterijski uložak, rezati ga, gnječiti, bacati ili udarati tvrdim predmetom.** Ti postupci mogu dovesti do požara, pretjeranog zagrijavanja ili eksplozije.
- Ne koristite oštećene baterije.**
- Sadržane litij-ionske baterije podliježu odredbama zakonskih propisa o opasnim tvarima.** Kada se radi o komercijalnom transportu koji obavljaju npr. dobavljači ili špediteri, moraju se poštovati posebni zahtjevi na pakiranju i oznakama. Prilikom pripreme isporuke takve stavke potražite savjet stručnjaka za opasne tvari. Pogledajte i moguće podrobnije nacionalne propise. Prekrijte trakom ili zaštitite otvorene kontakte i bateriju zapakirajte tako da se ne može pomicati u pakiranju.
- Kada odlažete baterijski uložak u otpad, uklonite ga iz alata i zbrinite na sigurnom mjestu. Pridržavajte se lokalnih zakonskih propisa za zbrinjavanje baterija.**
- Upotrebljavajte baterije samo s proizvodima koje je odobrila tvrtka Makita.** Umetanje baterija u neprikladne proizvode može dovesti do požara, prekomjerne topline, eksplozije ili curenja elektrolita.
- Ako se alat ne upotrebljava dulje vrijeme, bateriju morate ukloniti iz alata.**

- Tijekom i nakon upotrebe baterijski uložak može se zagrijati i prouzročiti opekline višeg ili nižeg stupnja.** Pažljivo rukujte vrućim baterijskim ulošcima.
- Nemojte dirati priključak alata neposredno nakon upotrebe jer se može zagrijati toliko da prouzroči opekline.**
- Nemojte dopustiti da krhotine, prašina ili zemlja zapnu u priključcima, otvorima i utorima baterijskog uloška.** To može dovesti do pregrijavanja, zapaljenja, eksplozije ili kvara na uređaju ili baterijskom ulošku, što može prouzročiti opekline ili osobne ozljede.
- Ako alat ne podržava upotrebu u blizini visokonaponskih električnih vodova, nemojte upotrebljavati baterijski uložak u blizini a visokonaponskih električnih vodova.** To može dovesti do neispravnog rada ili kvara alata ili baterijskog uloška.
- Bateriju čuvajte podalje od djece.**

ČUVAJTE OVE UPUTE.

⚠OPREZ: Uvijek upotrebljavajte originalne baterije Makita. Upotreba baterija koje nisu originalne baterije Makita ili su izmijenjene može dovesti do rasprskavanja baterije i uzrokovati požar, tjelesnu ozljedu ili štetu. To će također poništiti jamstvo tvrtke Makita za alat i punjač Makita.

Savjeti za održavanje najduljeg vijeka trajanja baterije

- Napunite bateriju prije nego što se potpuno isprazni. Uvijek zaustavite alat i napunite bateriju kad primijetite da alat slabije radi.**
- Nikad ne punite već do kraja napunjenu bateriju.** Pretjerano punjenje skraćuje radni vijek baterije.
- Bateriju punite na sobnoj temperaturi između 10 °C i 40 °C.** Vruću bateriju prije punjenja ostavite da se ohladi.
- Kada ne upotrebljavate baterijski uložak, uklonite ga iz alata ili punjača.**
- Napunite bateriju ako je ne mislite koristiti duže vrijeme (duže od 6 mjeseci).**

FUNKCIONALNI OPIS

⚠ OPREZ: Prije podešavanja ili provjere rada alata obavezno provjerite je li stroj isključen i baterija uklonjena.

Umetanje ili uklanjanje baterije

⚠ OPREZ: Uvijek isključite alat prije umetanja ili uklanjanja baterije.

⚠ OPREZ: Čvrsto držite alat i bateriju pri umetanju ili uklanjanju baterije. Ako alat i bateriju ne držite čvrsto, mogli bi vam iskliznuti iz ruku te oštetiti alat i bateriju ili uzrokovati osobnu ozljedu.

► **SI.1:** 1. Crvena oznaka 2. Gumb 3. Baterija

Za uklanjanje bateriju gurnite van iz alata pritiskom gumba na prednjoj strani uloška.

Za umetanje baterijskog uloška poravnajte jezičac na baterijskom ulošku s utorom na kućištu i gurnite ga na mjesto. Umetnite bateriju skroz do kraja dok ne sjedne na svoje mjesto uz mali klik. Ako možete vidjeti crvenu oznaku kao što je prikazano na slici, ona nije do kraja sjela na svoje mjesto.

⚠ OPREZ: Uvijek umetnite baterijski uložak do kraja tako da ne možete vidjeti crvenu oznaku. U suprotnom može slučajno ispasti iz alata, što može dovesti do ozljede vas ili nekog u blizini.

⚠ OPREZ: Ne umećite bateriju silom. Ako baterija ne klizne lagano, znači da nije ispravno umetnuta.

Prikaz preostalog kapaciteta baterije

Samo za baterijske uloške s indikatorom

► **SI.2:** 1. Žaruljice indikatora 2. Gumb za provjeru

Pritisnite gumb za provjeru na bateriji kako biste provjerili preostali kapacitet baterije. Žaruljica indikatora zasvijetlit će na nekoliko sekundi.

Žaruljice indikatora			Preostali kapacitet
Svijetli	Isključeno	Treperi	
■	□	◐	75 % do 100 %
■ ■ ■ ■	□ □ □ □		
■ ■ ■ ■	□ □ □ □		50 % do 75 %
■ ■ ■ ■	□ □ □ □		25 % do 50 %
■ ■ ■ ■	□ □ □ □		0 % do 25 %
◐ □ □ □ □	□ □ □ □		Napunite bateriju.
■ ■ □ □	□ □ □ □		Baterija je možda neispravna.
□ □ ■ ■	□ □ □ □		

NAPOMENA: Ovisno o uvjetima upotrebe i temperaturi okoline, prikaz indikatora može se donekle razlikovati od stvarnog kapaciteta.

NAPOMENA: Prva (krajnja lijeva) žaruljica indikatora treperit će dok radi sustav za zaštitu baterije.

Prikaz preostalog kapaciteta baterije

Ovisno o državi

Kada uključite alat, pokazatelj baterije prikazuje preostali kapacitet baterije.

► **SI.3:** 1. Indikator baterije

Preostali kapacitet baterije prikazuje se kao u sljedećoj tablici.

Stanje indikatora baterije			Preostali kapacitet baterije
Uključeno	Isključeno	Treperi	
			50 % do 100 %
			20 % do 50 %
			0 % do 20 %
			Napunite bateriju

Sustav zaštite alata/baterije

Ovaj alat sadrži sustav zaštite alata/baterije. Sustav automatski prekida napajanje motora da bi produžio vijek trajanja alata i baterije. Alat automatski prestaje raditi ako se alat ili baterija nađu u nekom od sljedećih uvjeta:

Zaštita od preopterećenja

Kad alat radi na način uslijed kojega povlači neobično veliku struju, automatski će se zaustaviti bez ikakve signalizacije. U tom slučaju isključite alat i prekinite radnje koje su izazvale preopterećenje alata. Zatim uključite alat kako biste ga pokrenuli.

Zaštita od pregrijavanja

Kad se alat pregrije, alat se automatski zaustavlja, a pokazatelj baterije prikazuje sljedeće stanje. U tom slučaju pričekajte da se alat ohladi prije nego što ga ponovno uključite.

Uključeno	Treperi





Ako se alat ne pokrene, moguće je da se baterija pregrijala. U tom slučaju pričekajte da se baterija ohladi prije nego što ponovno pokrenete alat.

Zaštita od prekomjernog pražnjenja

Ako kapacitet baterije nije dovoljan, alat se automatski zaustavlja. U tom slučaju izvadite baterijski uložak iz alata i napunite ga.

Otpuštanje zaštitne blokade

Kad zaštitni sustav neprekidno radi, alat se blokira, a pokazatelj baterije prikazuje sljedeće stanje. U tom slučaju alat se ne pokreće čak i ako isključite i uključite alat. Da biste otpustili zaštitnu blokadu, uklonite bateriju, postavite je u punjač baterije i pričekajte dok se ne završi punjenje.

 Uključeno	 Isključeno	 Treperi
		

Zaštita od ostalih uzroka

Sustav zaštite napravljen je i za ostale uzroke koji bi mogli oštetiti alat i omogućuje automatsko zaustavljanje alata. Poduzmite sve sljedeće korake da biste otklonili uzroke kada je alat privremeno zaustavljen ili prestao s radom.

1. Isključite alat pa ga ponovno uključite da biste ga pokrenuli.
2. Napunite jednu ili više baterija ili ih zamijenite napunjenim baterijama.
3. Pustite da se alat i jedna ili više baterija ohlade.

Ako obnavljanje sustava zaštite nije dovelo do poboljšanja, obratite se lokalnom servisnom centru tvrtke Makita.

Blokada vretena

⚠ UPOZORENJE: Nikada nemojte aktivirati blokadu vretena dok vreteno radi. To bi moglo prouzročiti ozbiljne ozljede ili oštećenje alata.

Pritisnite blokadu vretena kako se vreteno ne bi okretalo kada postavljate ili skidate dodatnu opremu.

► **SI.4:** 1. Blokada vretena

Uključivanje i isključivanje

⚠ OPREZ: Prije postavljanja baterije u alat, uvijek provjerite radi li klizni prekidač i vraća li se u položaj za isključivanje „OFF” kad pritisnete stražnju stranu kliznog prekidača.

⚠ OPREZ: Prekidač se može zaključati u uključenom položaju „ON” kako bi korisniku bilo udobnije koristiti alat tijekom duljeg vremena. Budite oprezni kada zaključavate alat u uključenom položaju „ON” i cijelo ga vrijeme čvrsto držite.

Kako biste pokrenuli alat, pritisnite prema dolje stražnji kraj kliznog prekidača, a zatim ga gurnite u položaj za uključivanje „I (ON)”. Za neprekidni rad pritisnite prema dolje prednji kraj kliznog prekidača kako biste ga zaključali.

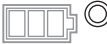

► **SI.5:** 1. Klizni prekidač

Kako biste zaustavili alat, pritisnite prema dolje stražnji kraj kliznog prekidača tako da se vrati u položaj za isključivanje „O (OFF)”.

► **SI.6:** 1. Klizni prekidač

Funkcija za automatsku promjenu brzine

► **SI.7:** 1. Indikator načina rada

Stanje indikatora načina rada	Način rada
	Način rada velike brzine
	Način rada s velikom okretnim momentom

Ovaj alat ima „način rada velike brzine” i „način rada s velikom okretnim momentom”. Automatski mijenja način rada ovisno o radnom opterećenju. Ako indikator načina rada zasvijetli tijekom rada, alat je u načinu rada s velikom okretnim momentom.

Funkcija za sprečavanje slučajnog pokretanja

Ako baterijski uložak postavljate s prekidačem u položaju za uključivanje „ON”, alat se ne pokreće. Kako biste pokrenuli alat, isključite prekidač i ponovno ga uključite.

Tehnologija aktivnog povratnog očitavanja

Alat elektronički prepoznaje situacije u kojima postoji opasnost od zaglavljivanja ploče ili dodatka. U tom slučaju, alat se automatski isključuje kako bi se spriječio daljnje okretanje vratila (ne sprječava povratni udar). Kako biste ponovno pokrenuli alat, najprije ga isključite i uklonite uzrok iznenadnog pada brzine okretanja, a zatim ga ponovno uključite.

Značajka mekog pokretanja (soft-start)

Značajka mekog pokretanja smanjuje reagiranje pri pokretanju.

Električna kočnica

Električna kočnica uključuje se nakon isključenja alata. Kočnica ne radi kada je napajanje isključeno, primjerice kada se slučajno ukloni baterija, a prekidač još uključen.

MONTAŽA

⚠ OPREZ: Prije podešavanja ili provjere rada alata obavezno provjerite je li stroj isključen i baterija uklonjena.

Postavljanje bočnog rukohvata (ručke)

⚠ OPREZ: Prije rada uvijek provjerite je li bočni rukohvat sigurno postavljen.

Bočni rukohvat dobro učvrstite na alatu u položaj prikazan na slici.

► **SI.8**

Postavljanje ili skidanje štitnika ploče (za koljenastu brusnu ploču, lepezasti disk, savitljivu ploču, četku sa žičanom pločom / abrazivnu reznu ploču, dijamantnu ploču)

⚠ UPOZORENJE: Kada koristite koljenastu brusnu ploču, lepezasti disk, savitljivu ploču ili četku sa žičanom pločom, štitnik ploče mora biti pričvršćen na alat tako da je zatvorena strana štitnika uvijek usmjerena prema rukovatelju.

⚠ UPOZORENJE: Pri upotrebi abrazivne rezne/dijamantne ploče rabite isključivo poseban štitnik namijenjen za uporabu s brusnim pločama.

Za alat sa štitnikom ploče sa zabravnim vijkom

Postavite štitnik ploče s izbočinama na traku štitnika ploče koja je poravnat s uezima na kućištu ležaja. Nakon toga okrenite štitnik za onoliko stupnjeva koliko može štiti rukovatelja, ovisno o radu. Obavezno čvrsto zategnite vijak. Za uklanjanje štitnika učinite isto obrnutim redoslijedom.

► **SI.9:** 1. Štitnik ploče 2. Kućište ležaja 3. Vijak

Za alat sa štitnikom koluta u obliku poluge za stezanje

Otpustite vijak pa povucite ručicu u smjeru strelice. Postavite štitnik ploče s izbočinama na traku štitnika ploče koja je poravnat s uezima na kućištu ležaja. Nakon toga okrenite štitnik za onoliko stupnjeva koliko može štiti rukovatelja, ovisno o radu.

► **SI.10:** 1. Štitnik ploče 2. Kućište ležaja 3. Vijak 4. Ručica

Povucite ručicu u smjeru strelice. Zatim zategnete štitnik ploče pričvršćivanjem vijka. Obavezno čvrsto zategnite vijak. Kut štitnika ploče možete podešavati pomoću ručice.

► **SI.11:** 1. Vijak 2. Ručica

Za uklanjanje štitnika učinite isto obrnutim redoslijedom.

Dodatak štitniku ploče za rezanje

Dodatni pribor

NAPOMENA: Za radnje rezanja dodatak štitniku ploče za rezanje može se koristiti sa štitnikom ploče (za brusnu ploču).

Nije dostupno u nekim državama.

► **SI.12**

Postavljanje ili uklanjanje koljenaste brusne ploče ili lepezastog diska

Dodatni pribor

⚠ UPOZORENJE: Kad se koristi koljenasta brusna ploča ili lepezasti disk, štitnik ploče mora biti pričvršćen na alat tako da je zatvorena strana uvijek usmjerena prema rukovatelju.

⚠ UPOZORENJE: Pobrinite se da montažni dio unutarnje prirubnice savršeno odgovara unutarnjem promjeru koljenaste brusne ploče/lepezastog diska. Montaža unutarnje prirubnice na pogrešnoj strani može dovesti do opasnih vibracija.

Postavite unutarnju prirubnicu na vreteno. Obavezno postavite udubljeni dio unutarnje prirubnice na ravni dio na dno vretena. Namjestite koljenastu ploču/lepezasti disk na unutarnju prirubnicu i zavijte sigurnosnu maticu na vreteno.

► **SI.13:** 1. Sigurnosna matica 2. Koljenasta brusna ploča 3. Unutarnja prirubnica 4. Montažni dio

Da biste zategnuli sigurnosnu maticu, čvrsto pritisnite gumb za blokadu vretena tako da se vratilo ne može okretati, a zatim ključem čvrsto zategnite sigurnosnu maticu u smjeru kazaljke na satu.

► **SI.14:** 1. Ključ za sigurnosnu maticu 2. Blokada vretena

Za skidanje ploče učinite isto obrnutim redoslijedom.

Postavljanje ili uklanjanje savitljive ploče

Dodatni pribor

⚠ UPOZORENJE: Uvijek koristite isporučeni štitnik kada je savitljiva ploča na alatu. Ploča se tijekom uporabe može razbiti, a štitnici pomažu da se smanji mogućnost osobnih ozljeda.

► **SI.15:** 1. Sigurnosna matica 2. Savitljiva ploča 3. Podloška 4. Unutarnja prirubnica

Slijedite upute za koljenastu brusnu ploču, ali preko ploče stavite i podlošku.

Postavljanje ili uklanjanje abrazivnog diska

Dodatni pribor

NAPOMENA: Koristite isključivo dodatke za brušenje nevedene u ovom priručniku. Mora se kupiti zasebno.

Za model od 100 mm (4")

► **SI.16:** 1. Sigurnosna matica za brušenje 2. Abrazivni disk 3. Gumena podloška 4. Unutarnja prirubnica

1. Postavite unutarnju prirubnicu na vreteno.
2. Postavite gumenu podlošku na vreteno.
3. Namjestite disk na gumenu podlošku i zategnite brusnu sigurnosnu maticu na vreteno.
4. Držite vratilo u blokadi vretena i čvrsto zategnite sigurnosnu maticu za brušenje u smjeru kazaljke na satu ključem za sigurnosne matice.

Za uklanjanje ploče učinite isto što i za postavljanje, ali obrnutim redoslijedom.

Za modele koji nisu 100 mm (4")

- **SI.17:** 1. Sigurnosna matica za brušenje
2. Abrazivni disk 3. Gumena podloška

1. Postavite gumenu podlošku na vreteno.
2. Namjestite disk na gumenu podlošku i zategnite brusnu sigurnosnu maticu na vreteno.
3. Držite vratilo u blokadi vretena i čvrsto zategnite sigurnosnu maticu za brušenje u smjeru kazaljke na satu ključem za sigurnosne matice.

Za uklanjanje ploče učinito isto što i za postavljanje, ali obrnutim redoslijedom.

Postavljanje ili uklanjanje Ezyzut matice

Dodatni pribor

Samo za alate s navojem vretena M14.

Postavite unutarnju prirubnicu, abrazivnu ploču i Ezyzut maticu na vreteno tako da je logotip tvrtke Makita na Ezyzut matici okrenut prema van.

- **SI.18:** 1. Ezyzut 2. Abrazivna ploča 3. Unutarnja prirubnica 4. Vreteno

Čvrsto pritisnite blokadu vretena i zategnite Ezyzut maticu okretanjem abrazivne ploče u smjeru kazaljke na satu što dalje može.

- **SI.19:** 1. Blokada vretena

Da biste otpustili Ezyzut maticu, okrenite vanjski prsten Ezyzut matice u smjeru suprotnom od kazaljke na satu.

NAPOMENA: Ezyzut matica može se ručno otpustiti dok god je strelica usmjerena prema urezu. U suprotnom je za otpuštanje potreban ključ za sigurnosne matice. Umetnite jedan zatik ključa u rupu i okrenite Ezyzut maticu u smjeru suprotnom od kazaljke na satu.

- **SI.20:** 1. Strelica 2. Urez
► **SI.21**

Postavljanje abrazivne rezne/dijamantne ploče

Dodatni pribor

⚠ UPOZORENJE: Pri upotrebi abrazivne rezne/dijamantne ploče rabite isključivo poseban štitnik namijenjen za uporabu s brusnim pločama.

⚠ UPOZORENJE: NIKAD nemojte rabiti brusnu ploču za bočno brušenje.

- **SI.22:** 1. Sigurnosna matica 2. Abrazivna rezna ploča/dijamantna ploča 3. Unutarnja prirubnica 4. Štitnik ploče za abrazivnu reznu ploču/dijamantnu ploču

Za postavljanje slijedite upute za koljenastu brusnu ploču.
Smjer postavljanja sigurnosne matice i unutarnje prirubnice razlikuje se ovisno o vrsti i debljini brusne ploče. Pogledajte slike u nastavku.

Za model od 100 mm (4")

Prilikom postavljanja abrazivne rezne ploče:

- **SI.23:** 1. Sigurnosna matica 2. Abrazivna rezna ploča (tanja od 4 mm (5/32")) 3. Abrazivna rezna ploča (4 mm (5/32") ili deblja)
4. Unutarnja prirubnica

Prilikom postavljanja dijamantne ploče:

- **SI.24:** 1. Sigurnosna matica 2. Dijamantna ploča (tanja od 4 mm (5/32")) 3. Dijamantna ploča (4 mm (5/32") ili deblja) 4. Unutarnja prirubnica

Za modele koji nisu 100 mm (4")

Prilikom postavljanja abrazivne rezne ploče:

- **SI.25:** 1. Sigurnosna matica 2. Abrazivna rezna ploča (tanja od 4 mm (5/32")) 3. Abrazivna rezna ploča (4 mm (5/32") ili deblja)
4. Unutarnja prirubnica

Prilikom postavljanja dijamantne ploče:

- **SI.26:** 1. Sigurnosna matica 2. Dijamantna ploča (tanja od 4 mm (5/32")) 3. Dijamantna ploča (4 mm (5/32") ili deblja) 4. Unutarnja prirubnica

Postavljanje žičane četke u obliku stošca

Dodatni pribor

⚠ OPREZ: Nemojte koristiti četku koja je oštećena ili koja nije balansirana. Uporaba oštećene četke može povećati mogućnost ozljeda uslijed doticaja sa slomljenim žicama četke.

Postavite alat naopako kako biste omogućili lak pristup vretenu.

Uklonite sve dodatke s vretena. Umetnite žičanu četku u obliku stošca na vreteno i zategnite je isporučnim ključem.

- **SI.27:** 1. Žičana četka u obliku stošca

Postavljanje žičane četke

Dodatni pribor

⚠ OPREZ: Nemojte koristiti četku sa žičanom pločom koja je oštećena ili koja nije balansirana. Uporaba oštećene četke sa žičanom pločom može povećati mogućnost ozljeda uslijed doticaja sa slomljenim žicama četke.

⚠ OPREZ: Za četku sa žičanom pločom **UVIJEK** koristite štitnik i provjerite da se promjer kotača odgovara štitniku. Ploča se tijekom uporabe može razbiti, a štitnici pomažu da se smanji mogućnost osobnih ozljeda.

Postavite alat naopako kako biste omogućili lak pristup vretenu.

Uklonite sve dodatke s vretena. Upletite četku sa žičanom pločom na vreteno i zategnite ključevima.

- **SI.28:** 1. Žičana četka

Postavljanje rezača otvora

Dodatni pribor

Postavite alat naopako kako biste omogućili lak pristup vretenu.

Uklonite sve dodatke s vretena. Zakačite rezač otvora na vreteno i zategnite ga priloženim ključem.

► **Sl.29:** 1. Rezač otvora

Postavljanje štitnika ploče protiv prašine za brušenje

Samo za model DGA456 / DGA506

Dodatni pribor

S dodatnom opremom ovaj alat možete upotrebljavati za blanjanje betonske površine.

⚠ OPREZ: Štitnik ploče protiv prašine za ofsetnu dijamanatnu ploču namijenjen je samo za blanjanje betonske površine s pomoću ofsetne dijamanatne ploče. Nemojte upotrebljavati ovaj štitnik s bilo kojim drugim reznim dodatkom ili u bilo koju drugu svrhu.

⚠ OPREZ: Prije rada provjerite je li usisivač prašine spojen s alatom i uključen.

Položite alat naopako i postavite štitnik ploče protiv prašine.

Unutarnju prirubnicu postavite na vreteno.

Postavite dijamanatnu ploču tipa šalice na unutarnju prirubnicu i zategnite sigurnosnu maticu na vreteno.

► **Sl.30:** 1. Sigurnosna matica 2. Dijamanatna ploča tipa šalice 3. Dijamanatna ploča tipa središnje šalice 4. Unutarnja prirubnica 5. Štitnik ploče protiv prašine 6. Kućište ležaja

NAPOMENA: Upute o načinu postavljanja štitnika ploče protiv prašine potražite u priručniku za štitnik ploče protiv prašine.

Postavljanje štitnika ploče protiv prašine za rezanje

Dodatni pribor

S dodatnim priborom ovaj alat možete upotrebljavati za rezanje kamenih materijala.

► **Sl.31**

NAPOMENA: Upute o načinu postavljanja štitnika ploče protiv prašine potražite u priručniku za štitnik ploče protiv prašine.

RAD

⚠ UPOZORENJE: Zabranjena je primjena sile na alat. Težina alata osigurava odgovarajući pritisak. U slučaju pretjeranog pritiska postoji opasnost od pucanja ploče.

⚠ UPOZORENJE: UVIJEK zamijenite ploču ako tijekom brušenja ispustite alat.

⚠ UPOZORENJE: NE SMIJETE udarati pločom o izradak.

⚠ UPOZORENJE: Vodite računa da ploča ne odskoči ili da se ne okrhne, osobito pri obradi kutova, oštrih rubova, itd. To može uzrokovati gubitak kontrole i povratni udar.

⚠ UPOZORENJE: NIKAD ne koristite alat s listovima pile za rezanje drveta i drugim listovima pile. Kada se takvi listovi upotrijebe na brusilici, izazivaju česte povratne udarce i gubitak kontrole.

⚠ OPREZ: Ne uključujte alat dok je dotičaju s izratkom jer to može uzrokovati ozljede rukovatelja.

⚠ OPREZ: Uvijek nosite zaštitne naočale ili štitnik za lice tijekom rada.

⚠ OPREZ: Nakon završetka rada, uvijek isključite alat i pričekajte dok se potpuno ne zaustavi prije nego što ga odložite.

⚠ OPREZ: Alat UVIJEK čvrsto držite jednom rukom za kućište i drugom za bočni rukohvat (ručku).

NAPOMENA: Ploča s dvostrukom namjenom može se koristiti kako za radove brušenja tako i za radove rezanja.

Za postupak brušenja pogledajte „Oštrenje i poliranje”, a za postupak rezanja pogledajte „Rad s abrazivnom reznom/dijamanatnom pločom”.

Oštrenje i poliranje

► **Sl.32**

Uključite alat, a zatim postavite ploču ili disk na izradak. Držite rub brusne ploče ili diska pod kutom od oko 15° u odnosu na površinu izratka.

Tijekom razdoblja prilagodbe s novom pločom ne koristite brusilicu u smjeru prema naprijed jer će zarezati izradak. Kada se rub brusne ploče zbog uporabe zaokružuje, ploču možete rabiti i u smjeru prema naprijed i u smjeru unatrag.

Primer korištenja: rad s dijamanatnom pločom tipa šalice

► **Sl.33**

Alat držite vodoravno i primijenite cijelu dijamanatnu ploču tipa šalice na površinu izratka.

Rad s abrazivnom reznom/ dijamantnom pločom

Dodatni pribor

⚠ UPOZORENJE: Nemojte „zaglavljivati“ ploču niti primjenjivati prekomjerni pritisak. Nemojte pokušavati napraviti pređuboki rez. Prekomjerno naprezanje povećava opterećenje i osjetljivost na uvijanje ili zaglavljivanje ploče pri rezanju, kao i mogućnost povratnog udara, pucanja ploče i pregrijavanja motora.

⚠ UPOZORENJE: Nemojte ponovno pokretati postupak rezanja na izratku. Pustite da ploča dostigne punu brzinu i pažljivo započnite rezati pomičući alat naprijed preko površine izratka. Ako se električni alat pokrene u izratku, ploča se može saviti, podići ili vratiti unatrag.

⚠ UPOZORENJE: Tijekom postupaka rezanja, nikada nemojte mijenjati kut brusne ploče. Primjena bočnog pritiska na brusnu ploču (kao prilikom brušenja) uzrokuje pucanje i lomljenje ploče te ozbiljne tjelesne ozljede.

⚠ UPOZORENJE: Dijamantna ploča mora se postaviti okomito na materijal koji se reže.

Primjer korištenja: rad s abrazivnom reznom pločom

► Sl.34

Primjer korištenja: rad s dijamantnom pločom

► Sl.35

Rad sa žičanom četkom

Dodatni pribor

⚠ OPREZ: Provjerite ispravnost četke pokretanjem alata bez opterećenja i pazite da ispred i iza četke nema nikoga.

NAPOMENA: Ne pritišćite previše jer bi se tako mogle iskriviti žice prilikom upotrebe žičane četke u obliku stošca. To može prouzročiti preuranjeno pucanje.

Primjer: rad sa žičanom četkom u obliku stošca

► Sl.36

Rad sa četkom sa žičanom pločom

Dodatni pribor

⚠ OPREZ: Provjerite ispravnost četke sa žičanom pločom pokretanjem alata bez opterećenja i pazite da ispred i iza četke nema nikoga.

NAPOMENA: Ne pritišćite previše jer bi se tako mogle iskriviti žice prilikom upotrebe četke sa žičanom pločom. To može prouzročiti preuranjeno pucanje.

Primjer korištenja: rad sa žičanom četkom

► Sl.37

Rad s rezačem otvora

Dodatni pribor

⚠ OPREZ: Provjerite ispravnost rada rezača otvora pokretanjem alata bez opterećenja i pazite da se ispred rezača otvora nitko ne nalazi.

NAPOMENA: Nemojte naginjati alat tijekom rada. To može prouzročiti preuranjeno pucanje.

Primjer korištenja: rad s rezačem otvora

► Sl.38

ODRŽAVANJE

⚠ OPREZ: Prije svih zahvata na stroju provjerite jeste li isključili stroj i uklonili bateriju.

NAPOMENA: Nikada nemojte koristiti benzin, mješavinu benzina, razrjeđivač, alkohol ili slično. Kao rezultat toga može se izgubiti boja, pojaviti deformacija ili pukotine.

Da biste zadržali SIGURNOST I POUZDANOST proizvoda, održavanje ili namještanja trebali biste prepustiti ovlaštenim servisnim ili tvorničkim centrima tvrtke Makita; uvijek rabite originalne rezervne dijelove.

Čišćenje ventilacijskih otvora

Alat i njegovi ventilacijski otvori se moraju držati čistim. Redovito čistite ventilacijske otvore ili kad god se otvori začepe.

► Sl.39: 1. Ispušni otvor 2. Usisni otvor

Uklonite poklopac za prašinu s ulaznog otvora ventilacije i očistite ga za neprekinuti protok zraka.

► Sl.40: 1. Zaštitni pokrov

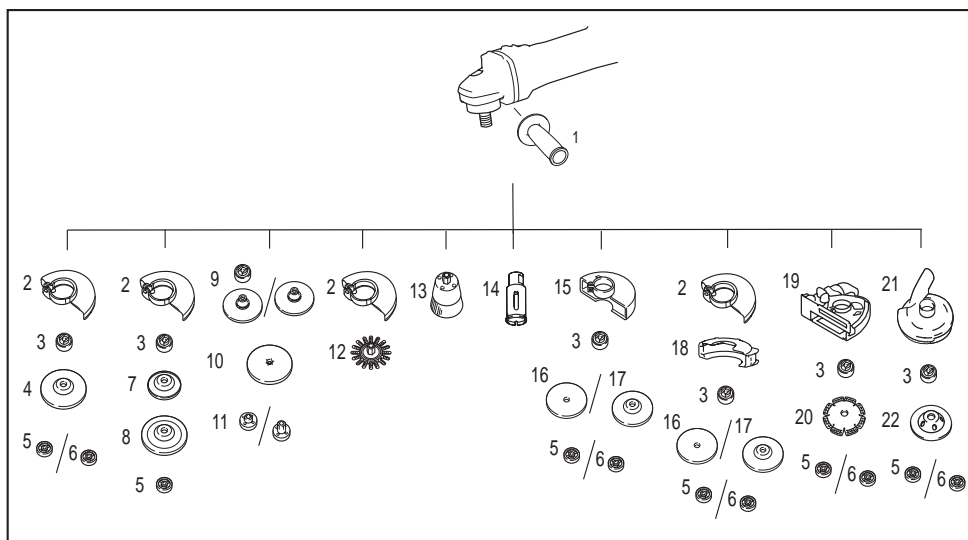
NAPOMENA: Očistite poklopac za zaštitu od prašine kada je začepljen prašinom ili stranim tvarima. Nastavak rada sa začepljenim poklopcem za prašinu može oštetiti alat.

KOMBINACIJA PRIMJENA I PRIBORA

Dodatni pribor

⚠ OPREZ: Korištenje alata s neispravnim štitnicima može uzrokovati sljedeće rizike.

- Kada koristite štitnik rezne ploče za čeono brušenje, štitnik ploče može ometati izradak uzrokujući lošu kontrolu.
- Kada koristite štitnik brusne ploče za radove rezanja s vezanim abrazivnim pločama i dijamantnim pločama, postoji povećana opasnost od izlaganja rotirajućim pločama, emitiranim iskrama i česticama, kao i izloženosti krhotinama ploča u slučaju pucanja ploča.
- Kada koristite štitnik rezne ploče ili štitnik brusne ploče za čeone radove s dijamantnim pločama tipa šalice, štitnik ploče može ometati izradak uzrokujući lošu kontrolu.
- Kada koristite štitnik rezne ploče ili štitnik brusne ploče sa žičanom četkom tipa ploče debljine veće od maksimalne debljine kako je navedeno u dijelu „SPECIFIKACIJAME“, žice mogu zapeti za štitnik što može dovesti do pucanja žica.
- Korištenje štitnika ploče protiv prašine za rezanje i čeone radove u betonu ili zidu smanjuje rizik od izlaganja prašini.
- Kada koristite ploče s prirubnicom s dvostrukom namjenom (kombinacija abrazivne ploče za brušenje i rezanje), koristite samo štitnik rezne ploče.



-	Primjena	Model od 100 mm	Model od 115 mm	Model od 125 mm
1	-	Bočna ručka		
2	-	Štitnik ploče (za brusnu ploču)		
3	-	Unutarnja prirubnica		
4	Brušenje / pjeskarenje	Koljenasta ploča/lepezasti disk		
5	-	Sigurnosna matica		
6	-	-	Ezynet *1	
7	-	Podloška		
8	Brušenje	Savitljiva ploča		
9	-	Unutarnja prirubnica i gumeni podložak 76	Gumena podloška 100	Gumena podloška 115
10	Pjeskarenje	Abrazivni disk		
11	-	Sigurnosna matica za brušenje		
12	Četkanje žičanom četkom	Žičana četka		

-	Primjena	Model od 100 mm	Model od 115 mm	Model od 125 mm
13	Četkanje žičanom četkom	Žičana četka u obliku stošca		
14	Rezanje otvora	Rezač otvora		
15	-	Štitnik ploče (za reznu ploču)		
16	Rezanje	Abrazivna rezna ploča/dijamantna ploča		
17	Brušenje / rezanje	Ploča s dvostrukom namjenom		
18	-	Dodatak štitniku ploče za rezanje *2		
19	-	Štitnik ploče protiv prašine za rezanje *3		
20	Rezanje	Dijamantna ploča		
21	-	-	Štitnik ploče protiv prašine za brušenje *4	
22	Brušenje	-	Dijamantna ploča tipa šalice *4	
-	-	Ključ za sigurnosnu maticu		

NAPOMENA: *1 Samo za alate s navojem vretena M14.

NAPOMENA: *2 Dodatak štitniku ploče za rezanje nije dostupan u nekim zemljama. Za više pojedinosti pogledajte upute za dodatak štitniku ploče za rezanje.

NAPOMENA: *3 Za više detalja pročitajte priručnik s uputama za štitnik.

NAPOMENA: *4 Samo za model DGA456 / DGA506

Za više detalja pročitajte priručnik s uputama za štitnik.

DODATNI PRIBOR

⚠ OPREZ: Ovaj dodatni pribor ili priključci preporučuju se samo za upotrebu s alatom Makita navedenim u ovom priručniku. Upotreba bilo kojeg drugog dodatnog pribora ili priključaka može prouzročiti ozljede. Upotrebljavajte dodatni pribor ili priključak samo za njegovu navedenu svrhu.

Ako vam je potrebna pomoć za više detalja u pogledu ovih dodatnih pribora, obratite se najbližem Makita servisnom centru.

- Izvorna Makita baterija i punjač
- Pribor naveden u odjeljku „KOMBINACIJA PRIMJENA I PRIBORA“

NAPOMENA: Neke stavke iz popisa se mogu isporučiti zajedno sa strojem kao standardni dodatni pribori. Oni mogu biti različiti ovisno o zemlji.

СПЕЦИФИКАЦИИ

Модел:		DGA406	DGA456	DGA506
Применливо брусно тркало	Макс. дијаметар на каменот за брусее	100 мм	115 мм	125 мм
	Макс. дебелина на тркалото	6,4 мм	7,2 мм	
Применливо тркало за сечење	Макс. дијаметар на каменот за брусее	105 мм	115 мм	125 мм
	Макс. дебелина на тркалото	3,2 мм		
Применлива кружна жичена четка	Макс. дијаметар на каменот за брусее	100 мм	115 мм	125 мм
	Макс. дебелина на тркалото	20 мм		
Навој на вретеното		M10	M14 или 5/8" (во зависност од земјата)	
Макс. должина на вретеното		18 мм	23 мм	
Брзина без оптоварување (n ₀) / Номинална брзина (n)		8.500 мин. ⁻¹		
Вкупна должина	со BL1840B	362 мм		
Нето тежина		2,2 - 3,7 кг	2,3 - 3,8 кг	2,4 - 3,8 кг
Номинален напон		D.C. 18 V		

- Поради нашата континуирана програма за истражување и развој, спецификациите тука подлежат на промена без најава.
- Спецификациите може да се разликуваат од држава до држава.
- Тежината може да се разликува во зависност од додаточите, вклучувајќи ја и касетата за батерија. Најлесната и најтешката комбинација, согласно процедурата на ЕПТА 01/2014 (Европската асоцијација за електрични алати), се прикажани во табелата.

Применлива касета за батерија и полнач

Касета за батерија	BL1815N / BL1820B / BL1830B / BL1840B / BL1850B / BL1860B
Полнач	DC18RC / DC18RD / DC18RE / DC18SD / DC18SE / DC18SF / DC18SH / DC18WC

- Некои од касетите за батерии и полначите наведени погоре може да не се достапни зависно од регионот во кој живеете.

▲ ПРЕДУПРЕДУВАЊЕ: Користете ги само касетите за батерии и полначите наведени погоре. Користењето какви било поинакви касети за батерии и полначи може да создаде ризик од повреда и/или пожар.

Препорачан извор на енергија поврзан со кабел

Пренослив пакет за напојување	PDC01
-------------------------------	-------

- Изворите на енергија поврзани со кабел наведени погоре може да не се достапни зависно од регионот во кој живеете.
- Пред користење на изворот на енергија поврзан со кабел, прочитајте ги упатствата и ознаките за внимание на нив.

Симболи

Долунаведените ги прикажуваат символите што може да се користат кај опремата. Пред употребата, проверете дали го разбирате нивното значење.



Прочитајте го упатството за користење.



Носете безбедносни очила.



Секогаш работете со две раце.



Не користете го штитникот за тркало за операции на сечење.



Само за земјите на ЕУ
Поради присуство на опасни компоненти во опремата, отпадната електрична и електронска опрема, акумулаторите и батериите може да влијаат негативно врз животната средина и човековото здравје.
Не фрлајте ги електричните и електронските апарати или батериите во домашниот отпад!
Во согласност со Европската директива за фрлање електрична и електронска опрема, акумулатори, батерии и отпадни акумулатори и батерии, како и нивната адаптација во државниот закон, отпадната електрична опрема, батериите и акумулаторите треба да се чуваат одделно и да се достават на посебно место за собирање општински отпад, во согласност со прописите за заштита на животната средина.
Ова е означено со симболот на прекрстана корпа за отпадоци ставен на опремата.

Наменета употреба

Алатот е наменет за брусење, стругање, жичено четкање, сечење отвори и сечење метал и камен без користење вода.

Бучава

Типична А-вредност за ниво на бучавата одредена во согласност со EN62841-2-3:

Модел	Ниво на звучниот притисок (L_{pA}): (dB(A))	Ниво на јачина на звукот (L_{WA}): (dB(A))	Отстапување (K): (dB(A))
DGA406	83	91	3
DGA456	82	90	3
DGA506	82	90	3

НАПОМЕНА: Номиналната вредност(и) за емисија на бучава е измерена во согласност со стандардни методи за испитување и може да се користи за споредување алати.

НАПОМЕНА: Номиналната вредност(и) за емисија на бучава може да се користи и како прелиминарна процена за изложеност.

▲ ПРЕДУПРЕДУВАЊЕ: Носете заштита за ушите.

▲ ПРЕДУПРЕДУВАЊЕ: Емисијата на бучава при фактичкото користење на алатот може да се разликува од номиналната вредност(и), зависно од начинот на којшто се користи алатот, особено од тоа како вид работен материјал се обработува.

▲ ПРЕДУПРЕДУВАЊЕ: Погрижете се да ги утврдите безбедносните мерки за заштита на лицето кое ракува со алатот врз основа на процена на изложеноста при фактичките услови на употреба (земајќи ги предвид сите делови на работниот циклус, како периодите кога електричниот алат е исклучен и кога работи во празен од, не само кога е активен).

▲ ПРЕДУПРЕДУВАЊЕ: Брусењето тенки листови од метал или други структури што лесно вибираат со голема површина може да резултира со вкупна емисија на бучава што е многу повисока (до 15 dB) од номиналните вредности за емисија на бучава.

Поставете тешки флексибилни простирки за придушување или слично на тој работен материјал за да ги спречите да емитуваат звук.

Земете ја предвид зголемената емисија на бучава и за проценка на ризикот од изложеноста на бучава и за избор на соодветна заштита на слухот.

Вибрации

Вкупна вредност на вибрациите (векторска сума на три оски) одредена во согласност со EN62841-2-3:

Работен режим: брусење површина со нормален страничен држач

Модел	Ширење вибрации ($a_{h, A}$): (m/s^2)	Отстапување (K): (m/s^2)
DGA406	4,5	1,5
DGA456	6,5	1,5
DGA506	6,5	1,5

Работен режим: брусене површина со антивибрациски страничен држач

Модел	Ширење вибрации ($a_{hv, ds}$): (m/s^2)	Отстапување (K): (m/s^2)
DGA406	4,0	1,5
DGA456	6,0	1,5
DGA506	6,0	1,5

Работен режим: стругање со диск со нормален страничен држач

Модел	Ширење вибрации ($a_{hv, ds}$): (m/s^2)	Отстапување (K): (m/s^2)
DGA406	2,5 m/s^2 или помалку	1,5
DGA456	2,5 m/s^2 или помалку	1,5
DGA506	2,5 m/s^2 или помалку	1,5

Работен режим: стругање со диск со антивибрациски страничен држач

Модел	Ширење вибрации ($a_{hv, ds}$): (m/s^2)	Отстапување (K): (m/s^2)
DGA406	2,5 m/s^2 или помалку	1,5
DGA456	2,5 m/s^2 или помалку	1,5
DGA506	2,5 m/s^2 или помалку	1,5

НАПОМЕНА: Вкупната вредност(и) на номиналната јачина на вибрациите е измерена во согласност со стандардни методи за испитување и може да се користи за споредување алати.

НАПОМЕНА: Вкупната вредност(и) на номиналната јачина на вибрациите може да се користи и како прелиминарна процена за изложеност.

▲ ПРЕДУПРЕДУВАЊЕ: Јачината на вибрациите при фактичкото користење на алатот може да се разликува од номиналната вредност(и), зависно од начинот на којшто се користи алатот, особено од тоа како вид работен материјал се обработува.

▲ ПРЕДУПРЕДУВАЊЕ: Погрижете се да ги утврдите безбедносните мерки за заштита на лицето кое ракува со алатот врз основа на процена на изложеноста при фактичките услови на употреба (земајќи ги предвид сите делови на работниот циклус, како периодите кога електричниот алат е исклучен и кога работи во празен од, не само кога е активен).

▲ ПРЕДУПРЕДУВАЊЕ: Номиналната јачина на вибрациите се користи за главните намени на алатот. Меѓутоа, ако алатот се користи за други намени, јачината на вибрациите може да биде различна.

Декларација за сообразност од ЕУ

Само за земјите во Европа

Декларацијата за сообразност од ЕУ е вклучена во Додаток А од упатствата за корисникот.

БЕЗБЕДНОСНИ ПРЕДУПРЕДУВАЊА

Општи упатства за безбедност за електричните алати

▲ ПРЕДУПРЕДУВАЊЕ Прочитајте ги сите безбедносни предупредувања, упатства, илустрации и спецификации дадени со електричниот алат. Ако не се почитуваат сите упатства наведени подолу, може да дојде до струен удар, пожар и/или сериозни повреди.

Чувајте ги сите предупредувања и упатства за да може повторно да ги прочитате.

Под терминот „електричен алат“ во предупредувањата се мисли на вашиот електричен алат кој работи на струја (со кабел) или на батери (безжично).

Безбедносни предупредувања за безжична брусилка

Општи безбедносни предупредувања за брусене, пескареење, четкање со жица или операции на сечење:

1. Овој електричен алат е наменет да функционира како брусилка, стругалка, четка со жица, сечач за отвори или алат за сечење. Прочитајте ги сите безбедносни предупредувања, упатства, илустрации и спецификации дадени со електричниот алат. Ако не се почитуваат сите упатства наведени подолу, може да дојде до струен удар, пожар и/или сериозни повреди.
2. Не се препорачува да се вршат работи како полирање со овој електричен алат. Операциите за кои електричниот алат не е наменет може да предизвикаат опасност и физички повреди.

3. **Не претворајте го овој електричен алат да работи на начин што не е посебно дизајниран и наведен од производителот на алатот.** Таквото претворање може да резултира со губење контрола и да предизвика сериозна телесна повреда.
 4. **Не користете додатоци што не се посебно дизајнирани и наведени од производителот на алатот.** Тоа што додатокот може да се прикачи на вашиот електричен алат не значи дека е безбеден за употреба.
 5. **Номиналната брзина на додатокот мора да биде барем еднаква со максималната брзина означена на алатот.** Доползоците што се вртат побрзо од номиналната брзина може да се скршат и да се распрскаат.
 6. **Надворешниот пречник и дебелината на додатокот мора да се во рамките на нормалниот капацитет на алатот.** Доползоците со неправилна големина не можат соодветно да се заштитат или контролираат.
 7. **Димензиите на додатоците за монтирање мора да им одговараат на димензиите на монтажниот хардвер на електричниот алат.** Доползоците што не му одговараат на монтажниот хардвер на алатот ќе работат без рамнотежа, ќе вибрираат прекумерно и може да предизвикаат губење на контролата.
 8. **Не користете оштетен додаток. Пред секоја употреба, проверете дали додатоците како што се абразивните тркала се скршени или напукнати, потпорните подлоги се напукнати, избени или истрошени, четките имаат откачени или искинати жици.** Доколку електричниот алат или додатокот се испушти, проверете дали е оштетен или монтирајте неоштетен додаток. Откако ќе го проверите и монтирате додатокот, вие и околните лица застанете подалеку од рамнината на вртливост додаток и ракувајте со алатот при максимална неоптоварена брзина една минута. Оштетените додатоци обично се распаѓаат за време на овој пробен период.
 9. **Носете опрема за лична заштита. Зависно од примената, користете заштита за лицето, безбедносни затемнети очила или заштитни очила. Зависно од работата, носете маска за прашина, ракавици и работна престилка што може да сопне мали отпадници од брусење или стругање.** Заштитата за очи треба да сопира разлетан отпад што се создава со различни примени. Маската за прашина или респираторот мора да имаат способност да ги филтрираат честичките што се создаваат со конкретната примена. Подолго изложување на голема бучава може да предизвика оштетување на слухот.
 10. **Присутните лица треба да се на безбедна оддалеченост од работното подрачје. Секој што влегува во работното подрачје треба да носи заштитна опрема.** Парчиња од материјалот што се обработува или од скршен додаток може да одлетат и да предизвикаат повреди надвор од непосредното работно подрачје.
 11. **Држете го алатот само за изолираните држачи кога вршите работи каде што алатот за сечење може да дојде во допир со скрени жици.** Ако дојде до допир со жица под напон, струјата може да се пренесе до металните делови на алатот и да предизвика струен удар на операторот.
 12. **Не одложувајте го алатот додека додатокот не сопне целосно.** Вртливост додаток може да ја зафати површината и да го извлече алатот надвор од ваша контрола.
 13. **Алатот не смее да биде вклучен додека го пренесувате.** Случаен допир со вртливост додаток може да ви ја зафати облеката и да ве повреди.
 14. **Редовно чистете ги отворите за проветрување на алатот.** Вентилаторот на моторот привлекува прашина во кукиштето, а прекумерното насобирање метал во прав може да предизвика опасност од струен удар.
 15. **Не ракувајте со алатот близу до запаливи материјали.** Искрите може да предизвикаат пожар.
 16. **Не користете додатоци за кошито се потребни течности за ладење.** Користењето вода или друга течност за ладење може да предизвика струен удар.
- Повратен удар и поврзани предупредувања:**
Повратен удар настанува при ненадејно заглавување или поткачување на тркало, потпорна подлога, четка или некој друг додаток што се врти. Заглавувањето или поткачувањето предизвикуваат нагло запирање на вртливост додаток што пак предизвикува неконтролираниот алат да биде насилно турнат во насока спротивна од насоката на ротација кај спојот.
На пример, ако абразивно тркало се заглави во работниот материјал, работ на тркалото што влегува во точката на заглавувањето може да се зарие во површината на материјалот, што ќе предизвика тркалото да излезе или да отскокне. Тркалото може да отскокне кон операторот или настрана од него, зависно од насоката на движење на тркалото во точката на заглавување. Исто така, абразивните тркала може да се скршат во вакви услови.
Повратниот удар е резултат од неправилна употреба на алатот и/или неправилни работни постапки и услови и може да се избегне со преземање соодветни мерки на претпазливост, како што е наведено подолу.
1. **Цврсто држете го електричниот алат со двете раце и наместете ги телото и рацете така што ќе може да ги издржат силите од повратен удар. Секогаш користете помошна рачка, ако ја има, за максимална контрола при повратен удар или торзиска реакција за време на стартувањето.** Операторот може да ги контролира торзиските реакции и силите на повратниот удар ако се преземат соодветни мерки на претпазливост.
 2. **Не ставајте ја раката близу до вртливост додаток.** Допатокот може да се одбие над раката.
 3. **Не поставувајте го телото во подрачјето каде што алатот ќе се придвижи во случај на повратен удар.** Повратниот удар ќе го отфрли алатот во насока спротивна на движењето на тркалото во точката на заглавување.

4. **Бидете особено внимателни кога работите на агли, остри рабови и сл. Избегнувајте отскокнување и завлекување на додатокот.** Аглите, острите рабови и отскокнувањето можат да го заглават вртливот додаток и да предизвикаат губење контрола или повратен удар.
5. **Не поставувајте синџир на пилата, сечило за дрворез, сегментирано дијамантско тркало со периферно растојание поголемо од 10 мм или нож за пила.** Таквите сечила често предизвикуваат повратни удари и губење контрола.
2. **Не поставувајте го телото во линија со вртливото тркало или зад него.** Кога тркалото, во точката на работа, се движи подалеку од вашето тело, можниот повратен удар може да ги фрли вртливото тркало и алатот право на вас.
3. **Кога тркалото се лепи или кога сечењето се прекинува поради нешто, исклучете го електричниот алат и држете го неподвижен додека тркалото не сопре целосно. Не обидувајте се да го извадите тркалото за сечење од засекот додека тоа се движи, инаку може да дојде до повратен удар.** Испитајте и преземете мерки за отстранување на причините за лепење на тркалото.

Безбедносни предупредувања што се специфични за брусење и операции на сечење:

1. **Користете само типови тркала што се наменети за вашиот алат и специфичниот штитник конструиран за избраното тркало.** Тркала за кои алатот не е конструиран не може да се заштитат соодветно и не се безбедни.
2. **Површината што се бруси на тркалата со вдлабнато средиште мора да биде монтирана под рамнината на штитникот.** Неправилно монтираното тркало што поминува низ рамнината на штитникот не може адекватно да се заштити.
3. **Штитникот треба да е прицврстен за алатот и наместен за максимална безбедност, така што најмало количество тркало е изложено кон операторот.** Заштитникот помага да се заштити операторот од парчиња скршено тркало, случаен контакт со тркалото и искри што може да ја запалат облеката.
4. **Тркалата смеат да се користат само за наменетите примени. На пример: не брусете со страната на тркалото за сечење.** Тркалата за абразивно сечење се наменети за периферно брусење и странични сили нанесени на таквите тркала може да ги распрскаат.
5. **Секогаш користете неоштетени фланши за тркалото што се со правилни големина и облик за избраното тркало.** Соодветните фланши за тркало го држат тркалото и со тоа ја намалуваат можноста тоа да се скрши. Фланшите за тркала за сечење може да се разликуваат од фланшите на брусните тркала.
6. **Не користете избавени тркала од поголеми електрични алати.** Тркалото што е наменето за поголеми електрични алат не е соодветно за поголемата брзина на помалиот алат и може да се распрсе.
7. **Кога користите тркала за двојна намена, секогаш користете го правилниот штитник за примената која се извршува.** Некористењето правилен штитник може да не го обезбеди саканото ниво на заштита, што може да доведе до сериозна повреда.
4. **Не почнувајте со сечењето повторно додека тркалото е во работниот материјал. Оставете тркалото да достигне полна брзина и внимателно влезете повторно во засекот.** Тркалото може да се залепи, да осцилира или да дојде до повратен удар ако електричниот алат се активира повторно во материјалот.
5. **Прицврстете ги плочите или материјалите што се преголеми за да го намалите ризикот од заглавување на тркалото и повратен удар.** Големите парчиња материјал обично се виткаат од сопствената тежина. Потпорите треба да се постават под работниот материјал во близина на линијата за сечење и во близина на работ од работниот материјал, на двете страни од тркалото.
6. **Бидете особено внимателни кога засекувате во постojни ѕидови или други слепи подрачја.** Испакнатото тркало може да ги исече цевките за гас или вода, електричните инсталации или предметите што може да предизвикаат повратен удар.
7. **Не обидувајте се да вршите кривулесто сечење.** Пренапрегнувањето на тркалото го зголемува оптоварувањето и можноста за извиткување или лепење на тркалото во засекот, а со тоа и можноста за повратен удар или кршење на тркалото, што може да доведе до сериозна повреда.
8. **Пред да употребите сегментирано дијамантско тркало, осигурете се дека дијамантското тркало има периферно растојание помеѓу сегментите од 10 мм или помало, само со негативен агол на закосеност.**

Безбедносни предупредувања што се специфични за операциите на шмирглање:

Дополнителни безбедносни предупредувања што се специфични за операции на сечење:

1. **Не заглавувајте го тркалото за сечење и не притискајте прекумерно. Не обидувајте се да направите прекумерна длабочина на сечењето.** Пренапрегнувањето на тркалото го зголемува оптоварувањето и можноста за извиткување или лепење на тркалото во засекот, а со тоа и можноста за повратен удар или кршење на тркалото.
1. **Користете диск со шмиргла со соодветна големина. Почитувајте ги препораките на производителот кога бирате шмиргла.** Поголема шмиргла што премногу стрчи надвор од подлогата за брусење е опасна бидејќи може да ве расече, да предизвика заглавување, кинење на дискот или повратен удар.

Безбедносни предупредувања што се специфични за операциите на четкање со жица:

1. Имајте предвид дека се исфрлаат жичени влакненца од четката дури и при нормална работа. Може да напрегајте ги жиците со прекумерен притисок на четката. Влакната на жицата лесно може да пробијат лесна облека или кожа.
2. Ако се наведува користење штитник за четкање со жица, не дозволувајте допир на жиченото тркало или четката со штитникот. Жиченото тркало или четката може да го зголемат пречникот поради работното оптоварување и центрифугалните сили.

Дополнителни безбедносни предупредувања:

1. Кога користите брусни плочи со вдувањето средиште, користете само тркала зајакнати со армирано стакло.
2. НЕ КОРИСТЕТЕ испакнати тркала со оваа брусилка. Брусилката не е конструирана за такви видови тркала и користењето такви производи може да доведе до тешки повреди.
3. Внимавајте да не ги оштетите вретеното, фланшата (особено површината за монтирање) или навртката за стегање. Оштетувањето на тие делови може да доведе до кршење на тркалото.
4. Внимавајте каменот да не го допира материјалот пред да се вклучи прекинувачот.
5. Пред да го користите алатот врз работниот материјал, оставете го да поработи малку напразно. Видете дали има вибрации или осцилации што може да укажуваат на лошо монтирање или неизбалансиран камен.
6. Користете ја назначената површина на каменот за да го изведете брусењето.
7. Не оставајте го алатот вклучен. Работете со алатот само кога го држите в раце.
8. Не допирајте го материјалот веднаш по работата, може да е многу жешко и да ви ја изгори кожата.
9. Не допирајте ги додатоците веднаш по работата, може да се многу жешки и да ви ја изгори кожата.
10. Почитувајте ги упатствата на производителот за правилно монтирање и користење на камењата. Бидете внимателни кога ракувате со камењата и кога ги одложувате.
11. Не користете посебни редуцирачки лежишта или адаптери за да ставате абразивни тркала со голем отвор.
12. Користете само фланши наметнати за овој алат.
13. За алатите на кои се ставаат тркала со отвор со навои, внимавајте навојот во тркалото да е доволно долг да ја прими должината на вретеното.
14. Проверете дали материјалот е добро прицврстен.
15. Внимавајте, тркалото продолжува да се врти по исклучување на алатот.

16. Ако работното место е крајно жешко и влажно или многу загадено со спроводлив прав, користете прекинувач за краток спој (30 mA) за безбедност на операторот.
17. Не користете го алатот ако материјалот содржи азбест.
18. Кога користите тркало за сечење, секогаш работете со штитникот за тркало за собирање прав ако се бара со домашните прописи.
19. Дискот за сечење не смее да се притиска странично.
20. Не користете платнени работни ракавици при работата. Текстилните влакна од платнените ракавици може да навлезат во алатот, што предизвикува кршење на алатот.
21. Пред да започнете со работа, проверете дали има вметнати предмети, како цевка за електричен кабел, цевка за вода или гас, во работниот материјал. Во спротивно, може да предизвика електричен удар, протекување струја или гас.
22. Ако на тркалото е прикачен подметнувач, не отстранувајте го. Дијаметарот на подметнувачот треба да биде поголем од навртката за блокирање, надворешната фланша и внатрешната фланша.
23. Пред да монтирате брусно тркало, секогаш проверувајте на подметнувачот да нема аномалии, како на пример струганици или лукнатини.
24. Затегнете ја соодветно навртката за блокирање. Прекумерното затегнување на тркалото може да предизвика кршење, а недоволното затегнување може да предизвика треперење.

ЧУВАЈТЕ ГО УПАТСТВОТО.

▲ПРЕДУПРЕДУВАЊЕ: НЕ ДОЗВОЛУВАЈТЕ удобност или познавањето на производот (стекнати со подолга употреба) да ве наведат да не се придржувате строго до безбедносните правила за овој производ. ЗЛОУПОТРЕБАТА или непочитувањето на безбедносните правила наведени во ова упатство може да предизвикаат тешка телесна повреда.

Важни безбедносни упатства за касетата за батеријата

1. Пред користење на касетата за батеријата, прочитајте ги сите упатства и ознаки за претпазливост на (1) полначот за батеријата, (2) батеријата и (3) производот што ја користи батеријата.
2. Не расклопувајте ја, ниту експериментирајте со касетата за батеријата. Тоа може да резултира со оган, прекумерна топлина или експлозија.
3. Ако оперативното времето станало прекумерно кратко, престанете веднаш со работа. Тоа може да резултира со ризик од прегревање, можни изгореници, па дури и експлозија.

4. Ако електролит навлезе во вашите очи, измијте ги со чиста вода и побарајте медицинска нега веднаш. Тоа може да резултира со губење на вашиот вид.
5. Не предизвикувајте спој на касетата за батеријата.
 - (1) Не допирајте ги контактите со никаков проводлив материјал.
 - (2) Избегнувајте да ја чувате касетата за батерија во сад со други метални предмети како што се шајки, монети и сл.
 - (3) На изложувајте ја касетата за батеријата на вода или дожд.

Краткиот спој на батеријата може да предизвика голем проток на електрична енергија, прегревање, можни изгореници, па дури и пад на напојувањето.
6. Не складирајте и не користете ги алатот и касетата за батеријата на места каде што температурата може да достигне или надминува 50 °C (122 °F).
7. Не палете ја касетата за батеријата дури и кога е многу оштетена или целосно потрошена. Касетата за батеријата може да експлодира ако се стави во оган.
8. Не заковувајте ја, сечете ја, фрлајте ја, испуштајте ја касетата за батерија, ниту удирајте ја од тврд предмет касетата за батеријата. Таквото однесување може да резултира со оган, прекумерна топлина или експлозија.
9. Не користете оштетена батерија.
10. Содржаните батерии со литиумови јони се подложни на условите во Правилата за опасни предмети.

За комерцијален транспорт на пр. од трети лица и посредници, мора да се следат посебните услови на пакувањата или ознаките. При подготовка на предметот кој треба да се испрати, консултирајте се со експерт за опасни материјали. Исто така, следете ги потенцијално подеталните национални правила.

Залепете ги со леплива лента или маскирајте ги отворените контакти, а батеријата спакувајте ја, така што нема да се движи слободно во пакувањето.
11. Кога ја фрлате во отпад касетата за батеријата, извадете ја од алатот и фрлате ја на безбедно место. Почитувајте ги локалните законски прописи што се однесуваат на фрлање во отпад на батеријата.
12. Користете ги батериите само со производителите назначени од Makita. Монтирањето батерии на неусогласените производи може да резултира со пожар, прекумерна топлина, експлозија или истекување на електролитот.
13. Доколку алатот не се користи подолг временски период, батеријата мора да се извади од алатот.
14. Пред и по употребата, касетата за батеријата може да прими топлина што може да предизвика изгореници или изгореници од ниска температура. Внимавајте како ракувате со жешките касети за батерии.
15. Не допирајте го терминалот на алатот непосредно по употребата бидејќи може да се загрее доволно за да предизвика изгореници.
16. Не дозволувајте деланки, прав или земја да се заглават во терминалите, отворите и жлебовите на касетата за батерија. Тоа може да предизвика греене, запалување, пукање и дефект на алатот или касетата за батерија, што ќе резултира со изгореници или телесна повреда.
17. Освен ако алатката не поддржува употреба на електричните далноводи со висок напон во близина, не користете ја касетата за батерија во близина на електричните далноводи со висок напон. Тоа може да резултира со дефект или пад на напојувањето на алатот или касетата за батерија.
18. Држете ја батеријата подалеку од деца.

ЧУВАЈТЕ ГО УПАТСТВОТО.

▲ВНИМАНИЕ: Користете само оригинални батерии на Makita. Користењето неоригинални батерии на Makita или батерии што се изменети може да резултира со распакување на батеријата, предизвикувајќи пожар, телесна повреда и оштетување. Тоа исто така ќе ја поништи гаранцијата на Makita за алатот и полначот на Makita.

Совети за одржување максимален работен век на батеријата

1. Заменете ја касетата за батеријата пред целосно да се испразни. Секогаш запирајте ја работата со алатот и заменете ја касетата за батеријата кога ќе забележите дека алатот дава помала моќност.
2. Никогаш немојте да полните целосно полна касета за батерија. Прекумерното полнење го скратува работниот век на батеријата.
3. Полнете ја касетата за батеријата на собна температура од 10°C - 40°C. Дозволете загреаната касета за батерија да се олади пред да ја ставите на полнење.
4. Кога не ја користите касетата за батерија, извадете ја алатот или полначот.
5. Полнете ја касетата за батеријата доколку не ја користите подолго време (повеќе од шест месеци).

ОПИС НА ФУНКЦИИТЕ

⚠ ВНИМАНИЕ: Пред секое нагодување или проверка на алатот, проверувајте дали е исклучен и батеријата е извадена.

Монтирање или отстранување на касетата за батеријата

⚠ ВНИМАНИЕ: Секогаш исклучувајте го алатот пред ставањето или вадењето на касетата за батеријата.

⚠ ВНИМАНИЕ: Држете ги алатот и касетата за батеријата цврсто кога ја монтирате или вадите касетата за батеријата. Ако не ги држите цврсто алатот и касетата за батеријата, тие може да се лизнат од вашите раце и да дојде до нивно оштетување, како и до телесна повреда.

► **Сл.1:** 1. Црвен индикатор 2. Копче 3. Касета за батерија

За да ја извадите касетата за батеријата, повлечете ја од алатот додека го лизгате копчето на предната страна на касетата.

За монтирање на касетата за батерија, порамнете го јазичето на касетата за батерија со жлебот во кукиштето и лизнете го во место. Вметнете ја докрај додека не се блокира во место при што ќе се слушне звук. Ако можете да го видите црвениот индикатор како што е прикажано на сликата, не е целосно блокирана во место.

⚠ ВНИМАНИЕ: Секогаш монтирајте ја касетата за батеријата целосно додека црвениот индикатор не се изгасне. Во спротивно, може ненадејно да испадне од алатот предизвикувајќи ви повреда вам или на некој друг околу вас.

⚠ ВНИМАНИЕ: Немојте да ја монтирате касетата за батеријата на сила. Ако касетата не може да се лизне лесно, тоа значи дека не е поставена правилно.

Укажување на преостанатиот капацитет на батеријата

Само за батерии со индикатор

► **Сл.2:** 1. Индикаторски ламбички 2. Копче за проверка

Притиснете го копчето за проверка на касетата за батеријата за укажување на преостанатиот капацитет на батеријата. Индикаторските ламбички светнуваат неколку секунди.

Индикаторски ламбички			Преостанат капацитет
Запалено	Исклучено	Трепка	
			75% до 100%
			50% до 75%
			25% до 50%
			0% до 25%
			Наполнете ја батеријата.
			Батеријата можеби е неисправна.

НАПОМЕНА: Во зависност од условите на користење и амбиенталната температура, индикацијата може да се разликува во мала мера од реалниот капацитет.

НАПОМЕНА: Првата (најлево) ламбичка на индикаторот ќе трепка кога работи системот за заштита на батеријата.

Укажување на преостанатиот капацитет на батеријата

Конкретно за држава

Кога ќе го вклучите алатот, индикаторот за батерија го покажува преостанатиот капацитет на батеријата.

► **Сл.3:** 1. Индикатор за батерија

Преостанатиот капацитет на батеријата се прикажува во вид на следнава табела.

Статус на индикатор за батерија			Преостанат капацитет на батеријата
Вклучено	Исклучено	Трепка	
			од 50% до 100%
			од 20% до 50%
			од 0% до 20%
			Наполнете ја батеријата

Систем за заштита на алатот/ батеријата

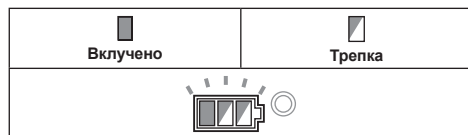
Алатот е опремен со систем за заштита на алатот/ батеријата. Овој систем автоматски го прекинува напојувањето на моторот за да го продолжи работниот век на алатот и на батеријата. Алатот автоматски ќе се исклучи за време на работењето ако тој или батеријата се најдат под еден од следниве услови:

Заштита од преоптоварување

Кога со алатот се работи на начин што предизвикува повлекување прекумерно висока струја, тој автоматски се исклучува без никаква индикација. Во таква ситуација, исклучете го алатот и запрете со примената која предизвикала негово преоптоварување. Потоа, повторно вклучете го алатот.

Заштита од прегревање

Кога алатот е прегреан, алатот се исклучува автоматски и индикаторот за батерија ја покажува следнава состојба. Во оваа ситуација, оставете алатот да се олади пред повторно да го вклучите.



Ако алатот не се вклучи, батеријата може да се прегрее. Во оваа ситуација, оставете ја батеријата да се олади пред повторно да го вклучите алатот.

Заштита од прекумерно празнење

Кога капацитетот на батеријата нема да биде доволен, алатот автоматски се исклучува. Во овој случај, извадете ја батеријата од алатот и наполнете ја.

Ослободување на заштитната блокада

Кога системот за заштита работи повторливо, алатот е блокиран и индикаторот за батеријата ја покажува следнава состојба.

Во оваа ситуација, алатот не стартува дури ни ако го исклучувате и вклучувате. За да ја ослободите заштитната блокада, извадете ја батеријата, поставете ја на полначот за батерии и почекајте додека не заврши полнењето.



Заштита од други причини

Системот за заштита исто така е дизајниран за други причини што може да го оштетат алатот и овозможува тој да запре автоматски. Преземете ги сите следни чекори за да ги отстраните причините кога алатот е доведен до привремено запирање или престанување на работата.

1. Исклучете го алатот и потоа повторно вклучете го за да се рестартира.
2. Наполнете ја батеријата(ите) или заменете ја/ ги со наполнета батерија(и).
3. Оставете ги алатот и батеријата(ите) да се оладат.

Доколку не дојде до подобрување со враќање на системот за заштита, контактирајте со локалниот сервисен центар на Makita.

Блокада на оската

▲ ПРЕДУПРЕДУВАЊЕ: Не затегнувајте ја блокадата на оската кога навојот се движи. Тоа може да предизвика сериозна повреда или оштетување на алатот.

Притиснете ја блокадата на оската за да спречите вртење на вретеното кога ставате или вадите додатоци.

► Сл.4: 1. Блокада на оската

Вклучување

▲ ВНИМАНИЕ: Пред да ја монтирате батеријата во алатот, секогаш проверувајте дали функционира правилно клизниот прекинувач и дали се враќа во положбата „OFF“ кога ќе се притисне задниот дел од клизниот прекинувач.

▲ ВНИМАНИЕ: Прекинувачот може да биде блокиран во положбата „ON“ за поголема удобност за лицето што ракува со алатот при подолготрајна употреба. Бидете внимателни кога го блокирате алатот во положбата „ON“ и одржувајте стабилен зафат на алатот.

За да го стартувате алатот, притиснете го задниот дел од лизгачкиот прекинувач, потоа лизгајте го во положба „I (ON)“. За непрекинатата работа, притиснете го предниот дел од лизгачкиот прекинувач за да го блокирате.



► Сл.5: 1. Лизгачки прекинувач

За да го исклучите алатот, притиснете го задниот дел од лизгачкиот прекинувач, потоа лизгајте го во положба „O (OFF)“.

► Сл.6: 1. Лизгачки прекинувач

Функција за автоматско менување на брзината

► Сл.7: 1. Индикатор за режим

Статус на индикатор за режим	Работен режим
	Режим со голема брзина
	Режим на голем вртежен момент

Овој алат има „режим со голема брзина“ и „режим со голем вртежен момент“. Автоматски го менува работниот режим во зависност од работното оптоварување. Кога индикаторот за режим ќе се вклучи во текот на работењето, алатот е во режим на голем вртежен момент.

Функција за спречување случајно рестартирање

При монтирање на касетата за батерија во алатот со прекинувач во положба ON, алатот не се стартува. За да го стартувате алатот, исклучете го прекинувачот и повторно вклучете го.

Технологија за препознавање активен фидбек

Алатот електронски открива ситуации каде тркалото или опремата се изложени на ризик да бидат ограничени. Во таа ситуација, алатот автоматски се исклучува за да спречи додатна ротација на вретеното (не спречува повратен удар). За да го рестартирате алатот, прво исклучете го, отстранете ја причината за ненадејниот пад на брзината на ротација, а потоа вклучете го.

Одлика за меко стартување

Одликата за меко стартување ја намалува почетната реакција.

Електрична сопирачка

Електричната сопирачка се активира по исклучување на алатот. Сопирачката нема да работи кога ќе се исклучи напојувањето, како при ненадејно отстранување на батеријата додека прекинувачот е вклучен.

СОСТАВУВАЊЕ

▲ВНИМАНИЕ: Пред секое нагудување или проверка на алатот, проверувајте дали е исклучен и батеријата е извадена.

Местење на страничниот држач (рачка)

▲ВНИМАНИЕ: Секогаш проверувајте дали страничниот држач е наместен цврсто пред да работите.

Завртете го страничниот држач цврсто во положбата на алатот како што е прикажано на сликата.

► Сл.8

Ставање или вадење на штитникот за тркалото (за тркало со вдлабнато средиште, повеќеделен диск, флекси-тркало, жичена четка/тркало за абразивно сечење, дијамантско тркало)

▲ПРЕДУПРЕДУВАЊЕ: Кога користите тркало со вдлабнато средиште, повеќеделен диск, флекси-тркало или тркало со жичена четка, штитникот за тркалото треба да се монтира на алатот, така што затворената страна на штитникот да биде свртена кон операторот.

▲ПРЕДУПРЕДУВАЊЕ: Кога користите тркало за абразивно сечење/дијамантско тркало, внимавајте да го користите само специјалниот штитник конструиран за тркалата за сечење.

За алат со штитник за тркалото со завртка

Монтирајте го штитникот за тркалото со испакнатините на лентата на штитникот за тркалото порамнета со жлебовите на кутијата на лежиштето. Потоа, свртете го штитникот на тркалото до агол што ќе го заштити операторот зависно од работата. Цврсто стегнете ја завртката. За да го извадите штитникот, следете ја постапката за местење по обратен редослед.

► Сл.9: 1. Штитник за тркало 2. Склоп со лагери 3. Завртка

За алати со штитник за тркалото со рачка за стегање

Олабавете ја завртката и потоа, повлечете ја рачката во насока на стрелката. Монтирајте го штитникот за тркалото со испакнатините на лентата на штитникот за тркалото порамнета со жлебовите на кутијата на лежиштето. Потоа, свртете го штитникот на тркалото до агол што ќе го заштити операторот зависно од работата.

► Сл.10: 1. Штитник за тркало 2. Склоп со лагери 3. Завртка 4. Рачка

Повлечете ја рачката во насока на стрелката. Потоа, прицврстете го штитникот за тркалото стегнувајќи ја завртката. Цврсто стегнете ја завртката. Аголот на штитникот за тркалото може да се приспособи со помош на рачката.

► **Сл.11:** 1. Завртка 2. Рачка

За да го извадите штитникот, следете ја постапката за мерење по обратен редослед.

Додаток на прикачување за штитникот за тркалото за сечење

Опционален прибор

НАПОМЕНА: За операции со отсекување, може да се користи додаток на прикачување за штитникот со штитникот за тркало (за брусно тркало).

Во некои земји не е достапно.

► **Сл.12**

Монтирање или вадење на тркало со вдлабнато средиште или повеќеделен диск

Опционален прибор

▲ ПРЕДУПРЕДУВАЊЕ: Кога користите тркало со вдлабнато средиште или повеќеделен диск, штитникот на тркалото треба да се монтира на алатот, така што затворената страна на штитникот да биде свртена кон операторот.

▲ ПРЕДУПРЕДУВАЊЕ: Уверете се дека делот од внатрешната фланша што се монтира совршено го собира во внатрешниот дијаметар на вдлабнатото средиште/повеќеделниот диск. Ако внатрешната фланша се монтира на погрешната страна, може да настанат опасни вибрации.

Монтирајте ја внатрешната фланша на вретеното. Поставете го вдлабнатиот дел од внатрешната фланша на рамниот дел на дното од вретеното. Наместете го вдлабнатото средиште/повеќеделниот диск на внатрешната фланша и завртете ја навртката на вретеното.

► **Сл.13:** 1. Навртка за стегање 2. Тркало со вдлабнато средиште 3. Внатрешна фланша 4. Дел за монтирање

За да ја затегнете навртката, притиснете ја цврсто блокадата на оската, така што вретеното нема да може да се врти, па со клучот за стегање затегнете ја надесно.

► **Сл.14:** 1. Клуч за стегање 2. Блокада на оската

За да го извадите тркалото, следете ја постапката за мерење по обратен редослед.

Ставање и вадење флекси-тркало

Опционален прибор

▲ ПРЕДУПРЕДУВАЊЕ: Секогаш користете го испорачаниот штитник кога флекси-тркалото е поставено на алатот. Тркалото може да се распрсне за време на употребата, а штитникот помага во намалување на шансите за телесна повреда.

► **Сл.15:** 1. Навртка за стегање 2. Флекси-тркало 3. Подлошка 4. Внатрешна фланша

Следете ги упатствата за тркалото со вдлабнато средиште, но, исто така, користете подлошка врз тркалото.

Инсталирање или отстранување на абразивниот диск

Опционален прибор

НАПОМЕНА: Користете додатоци за стругање назначени во ова упатство. Тие треба да се купат посебно.

За модел од 100 мм (4")

► **Сл.16:** 1. Навртка за шмирглање 2. Абразивен диск 3. Гумена подлошка 4. Внатрешна фланша

1. Монтирајте ја внатрешната фланша на вретеното.
2. Монтирајте ја гумената подлошка на вретеното.
3. Поставете го дискот на гумената подлошка и завртете ја навртката за блокирање на вретеното.
4. Држете го вретеното со блокадата на оската и убаво стегнете ја навртката за шмирглање надесно со клуч за навртки.

За да го извадите дискот, следете ја постапката за мерење по обратен редослед.

За модел што е поинакво од 100 мм (4")

► **Сл.17:** 1. Навртка за шмирглање 2. Абразивен диск 3. Гумена подлошка

1. Монтирајте ја гумената подлошка на вретеното.
2. Поставете го дискот на гумената подлошка и завртете ја навртката за блокирање на вретеното.
3. Држете го вретеното со блокадата на оската и убаво стегнете ја навртката за шмирглање надесно со клуч за навртки.

За да го извадите дискот, следете ја постапката за мерење по обратен редослед.

Монтирање или отстранување на Ezyrut

Опционален прибор

Само за алати со навој на вретеното M14.

Монтирајте ги внатрешната фланша, абразивното тркало и Ezyrut на оската така што логото Makita на Ezyrut да е свртено напред.

- **Сл.18:** 1. Ezyrut 2. Абразивно тркало
3. Внатрешна фланша 4. Оска

Притиснете ја блокадата на оската цврсто и стегнете го Ezyrut со вртење на абразивното тркало напред до крај.

- **Сл.19:** 1. Блокада на оската

За да го олабавите Ezyrut, свртете го надворешниот прстен на Ezyrut налево.

НАПОМЕНА: Ezyrut може да се олабави со рака ако стрелката покажува на засекот. Во спротивно, потребен е клуч за навртка за блокирање за да се олабави. Вметнете една игличка од клучот во дупка и вртете го Ezyrut налево.

- **Сл.20:** 1. Стрелка 2. Засек

- **Сл.21**

Монтирање на тркало за абразивно сечење/дијамантско тркало

Опционален прибор

⚠ ПРЕДУПРЕДУВАЊЕ: Кога користите тркало за абразивно сечење/дијамантско тркало, внимавајте да го користите само специјалниот штитник конструиран за тркалата за сечење.

⚠ ПРЕДУПРЕДУВАЊЕ: НИКОГАШ не користете го тркалото за сечење за странично брусење.

- **Сл.22:** 1. Навртка за стегање 2. Тркало за абразивно сечење/дијамантско тркало
3. Внатрешна фланша 4. Штитник за тркало за абразивно сечење/дијамантско тркало

За монтирање, следете ги упатствата за тркало со вклопување на средниот дел.

Насоката за монтирање на навртката за блокирање и внатрешната фланша се разликува зависно од дебелината на тркалото.

Погледнете ги следните цифри.

За модел од 100 мм (4")

Кога се монтира абразивното тркало за сечење:

- **Сл.23:** 1. Навртка за стегање 2. Абразивно тркало за сечење (потенко од 4 мм (5/32")) 3. Абразивно тркало за сечење (од 4 мм (5/32") или подебело)
4. Внатрешна фланша

Кога се монтира дијамантското тркало:

- **Сл.24:** 1. Навртка за стегање 2. Дијамантско тркало (потенко од 4 мм (5/32"))
3. Дијамантско тркало (од 4 мм (5/32") или подебело) 4. Внатрешна фланша

За модел што е поинакво од 100 мм (4")

Кога се монтира абразивното тркало за сечење:

- **Сл.25:** 1. Навртка за стегање 2. Абразивно тркало за сечење (потенко од 4 мм (5/32")) 3. Абразивно тркало за сечење (од 4 мм (5/32") или подебело)
4. Внатрешна фланша

Кога се монтира дијамантското тркало:

- **Сл.26:** 1. Навртка за стегање 2. Дијамантско тркало (потенко од 4 мм (5/32"))
3. Дијамантско тркало (од 4 мм (5/32") или подебело) 4. Внатрешна фланша

Монтирање на испакнатата жичена четка

Опционален прибор

⚠ ВНИМАНИЕ: Не користете ја четката ако е оштетена или ако е неуррамнотежена. Користењето оштетена четка може да го зголеми потенцијалот за повреда од доаѓање во допир со скршени жици од четката.

Поставете го алатот наопаку за да се дозволи лесен пристап до вретеното.

Извадете ги сите додатоци од вретеното. Монтирајте испакнатата жичена четка врз вретеното и стегнете ја со испорачаниот клуч.

- **Сл.27:** 1. Испакнатата жичена четка

Монтирање на кружна жичена четка

Опционален прибор

⚠ ВНИМАНИЕ: Не користете ја жичената четка ако е оштетена или ако е неуррамнотежена. Користењето оштетена жичена четка може да го зголеми потенцијалот за повреда од доаѓање во допир со скршени жици од четката.

⚠ ВНИМАНИЕ: СЕКОГАШ користете штитник со жичените кружни четки, уверувајќи се дека дијаметарот на тркалото одговара на штитникот. Тркалото може да се распрсне за време на употребата, а штитникот помага во намалување на шансите за телесна повреда.

Поставете го алатот наопаку за да се дозволи лесен пристап до вретеното.

Извадете ги сите додатоци од вретеното. Ставете ја кружната жичена четка врз вретеното и затегнете со клучевите.

- **Сл.28:** 1. Кружна жичена четка

Монтирање секач за отвори

Опционален прибор

Поставете го алатот наопаку за да се дозволи лесен пристап до вретеното.

Извадете ги сите додатоци на вретеното. Ставете го секачот за отвори врз вретеното и затегнете со испорачаниот клуч.

- **Сл.29:** 1. Секач за отвори

Монтирање штитник за тркало за собирање прав за брусење

Само за моделот DGA456 / DGA506

Опционален прибор

Со опционалните додатоци, може да го користите алатот за брусење бетонска површина.

▲ ВНИМАНИЕ: Штитникот за тркало за собирање прав за вдлабнатото дијамантско тркало се користи само при брусење бетонска површина со вдлабнато дијамантско тркало. Не користете го штитников со друг додаток за сечење или за ниту една друга цел.

▲ ВНИМАНИЕ: Пред работењето, осигурете се дека вакуумската правосмукалка е поврзана со алатот и е вклучена.

Поставете го алатот наопаку и монтирајте го штитникот за тркало за собирање прав. Монтирајте ја внатрешната фланша на оската. Наместете го чашковидното дијамантско тркало на внатрешната фланша и затегнете ја навртката за блокирање на вретеното.

► **Сл.30:** 1. Навртка за блокирање 2. Чашковидно дијамантско тркало 3. Централно чашковидно дијамантско тркало 4. Внатрешна фланша 5. Штитник за тркало за собирање прав 6. Склоп со лагери

НАПОМЕНА: За информации како се монтира штитникот за тркало за собирање прав, погледнете во прирачникот за штитникот за тркало за собирање прав.

Монтирање штитник за тркало за собирање прав за сечење

Опционален прибор

Со опционалните додатоци, може да го користите алатот за сечење бетонски материјали.

► **Сл.31**

НАПОМЕНА: За информации како се монтира штитникот за тркало за собирање прав, погледнете во прирачникот за штитникот за тркало за собирање прав.

РАБОТЕЊЕ

▲ ПРЕДУПРЕДУВАЊЕ: Никогаш не би требало да се применува сила врз алатот. Тежината на алатот нанесува доволно притисок. Додавањето сила и прекумерен притисок може да предизвикаат опасно кршење на тркалото.

▲ ПРЕДУПРЕДУВАЊЕ: СЕКОГАШ заменувајте го тркалото ако алатот ви падне при брусење.

▲ ПРЕДУПРЕДУВАЊЕ: НИКОГАШ не удирајте го тркалото.

▲ ПРЕДУПРЕДУВАЊЕ: Избегнувајте отскокнување и заглавување на тркалото, особено кога работите на агли, остри рабови и сл. Така може да изгубите контрола и да дојде до повратен удар.

▲ ПРЕДУПРЕДУВАЊЕ: НЕ КОРИСТЕТЕ ГО алатот со сечила за дрворез и други пили за дрво. Таквите сечила, кога се користат со брусилка, често удираат и предизвикуваат губење контрола, што може да доведе до телесна повреда.

▲ ВНИМАНИЕ: Никогаш не вклучувајте го алатот кога е во контакт со работниот материјал, во спротивно може да дојде до повреда на операторот.

▲ ВНИМАНИЕ: Секогаш носете заштитни очила или маска за заштита на лицето при работата.

▲ ВНИМАНИЕ: По работата, секогаш исклучувајте го алатот и почекајте додека тркалото не сопре сосема пред да го одложите алатот.

▲ ВНИМАНИЕ: СЕКОГАШ држете го алатот цврсто со едната рака за кукиштето и со другата на страничниот држач (рачка).

НАПОМЕНА: Тркалото за двојна намена може да се користи и за брусење и за шмирглање.

Погледнете во „Брусење и шмирглање“ за брусење, а за сечење погледнете во „Работа со тркало за абразивно сечење / дијамантско тркало“.

Брусење и шмирглање

► **Сл.32**

Вклучете го алатот и потоа, ставете ги тркалото или дискот во работниот материјал.

По принцип, одржувајте го работ од тркалото или дискот под агол од околу 15° во однос на површината на работниот материјал.

За време на првичниот период на користење ново тркало, не работете со брусилката во насока напред бидејќи ќе засече во работниот материјал. Штом работ на тркалото ќе се заобли од употребата, со тркалото може да се работи во двете насоки, напред и наназад.

Пример за користење: работење со чашковидно дијамантско тркало

► Сл.33

Држете го алатот хоризонтално и поставете го целото чашковидно дијамантско тркало на површината на работниот материјал.

Работа со тркало за абразивно сечење/дијамантско тркало

Опционален прибор

▲ ПРЕДУПРЕДУВАЊЕ: Не заглавувајте го тркалото и не притискајте прекумерно. Не обидувајте се да сечете предлабоко.

Пренапрегнувањето на тркалото го зголемува оптоварувањето и можноста за извиткување или лепење на тркалото во засекот и можноста за повратен удар, кршење на тркалото и прегревање на моторот.

▲ ПРЕДУПРЕДУВАЊЕ: Не почнувајте со сечењето повторно додека тркалото е во материјалот. Оставете го тркалото да достигне максимална брзина и внимателно влезете во засекот, движејќи го алатот напред преку површината на материјалот. Тркалото може да осцилира, да излезе или да удри наназад ако алатот се стартува во материјалот.

▲ ПРЕДУПРЕДУВАЊЕ: За време на сечењето, не менувајте го аголот на тркалото. Ако се притиска странично на тркалото за сечење (при брусење) може да дојде до пукање или кршење на тркалото, што може да предизвика тешки телесни повреди.

▲ ПРЕДУПРЕДУВАЊЕ: Со дијамантското тркало треба да се работи вертикално врз материјалот за сечење.

Пример за користење: работење со абразивно тркало за сечење

► Сл.34

Пример за користење: работење со дијамантско тркало

► Сл.35

Операции со испакната жичена четка

Опционален прибор

▲ ВНИМАНИЕ: Проверете ја функционалноста на четката оставајќи го алатот да работи без оптоварување, осигурувајќи дека нема никој пред или во линија со четката.

ЗАБЕЛЕШКА: Избегнувајте преголем притисок при користење на испакната жичена четка со што може да се извитаат жиците. Со тоа може предвремено да се искршат.

Пример за користење: работење со испакната жичена четка

► Сл.36

Операции со кружна жичена четка

Опционален прибор

▲ ВНИМАНИЕ: Проверете ја функционалноста на жичената четка оставајќи го алатот да работи без оптоварување, осигурувајќи дека нема никој пред или во линија со четката.

ЗАБЕЛЕШКА: Избегнете преголем притисок при користење на четката, со што може да се извитаат жиците. Со тоа може предвремено да се искршат.

Пример за користење: работење со кружна жичена четка

► Сл.37

Работа со секач за отвори

Опционален прибор

▲ ВНИМАНИЕ: Проверете ја работата на секачот за отвори оставајќи го алатот да работи без оптоварување, осигурувајќи се дека нема никој пред секачот за отвори.

ЗАБЕЛЕШКА: Не навалувајте го алатот додека работи. Тоа може да доведе до предвремено кршење.

Пример за користење: работење со секач за отвори

► Сл.38

ОДРЖУВАЊЕ

▲ ВНИМАНИЕ: Пред секоја проверка или одржување, секогаш проверувајте дали алатот е исклучен и касетата за батеријата е извадена.

ЗАБЕЛЕШКА: За чистење, не користете нафта, бензин, разредувач, алкохол или слично. Тие средства ја вадат бојата и може да предизвикаат деформации или пукнатини.

За да се одржи БЕЗБЕДНОСТА и СИГУРНОСТА на производот, поправките, одржувањата или дотерувањата треба да се вршат во овластени сервисни или фабрички центри на Makita, секогаш со резервни делови од Makita.

Чистење на отворите за воздух

Алатот и отворите за воздух треба да се одржуваат чисти. Редовно чистете ги отворите за воздух на алатот или секогаш кога ќе се извалкаат.

► Сл.39: 1. Отвор за испуштање воздух 2. Отвор за вшмукување воздух

Извадете го капакот за прав од отворот за вентилација и исчистете го за да се добие добра циркулација на воздухот.

► Сл.40: 1. Капак на резервоар за прав

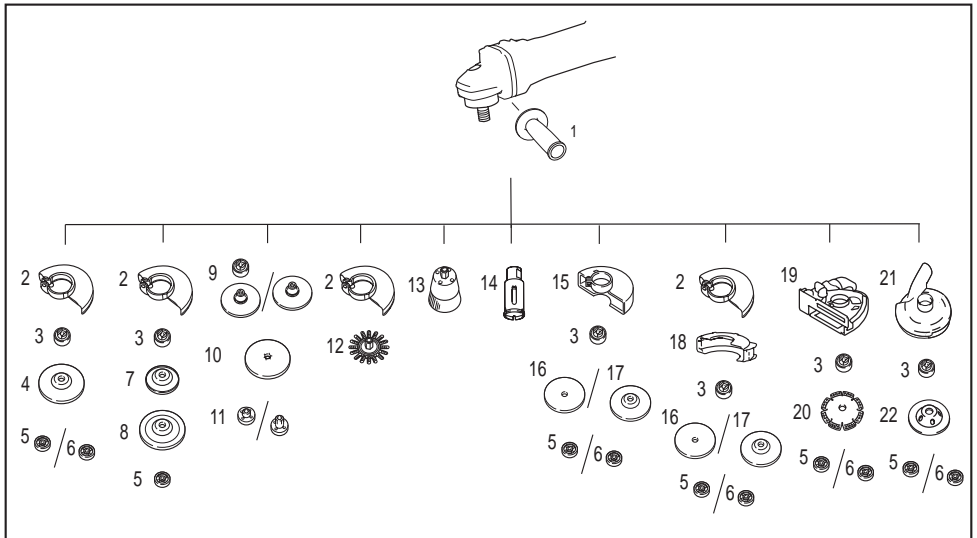
ЗАБЕЛЕШКА: Работењето со затнат капак за прав може да го оштети алатот. Ако продолжите со работа со затнат капак за прав, може да се оштети алатот.

КОМБИНАЦИЈА НА ПРИМЕНИ И ДОДАТОЦИ

Опционален прибор

▲ВНИМАНИЕ: Користењето на алатот со неправилни штитници може да ги предизвика следниве ризици.

- Кога користите штитник за тркалото за сечење за предно брусење, штитникот за тркало може да го попречи работниот материјал предизвикувајќи слаба контрола.
- Кога користите штитник за тркало за брусење за операции на сечење со заварени абразивни тркала и дијамантски тркала, постои зголемен ризик од изложување на ротирачки тркала, емитирани искри и честички, како и изложување на парчиња од тркало во случај на распснување на тркалото.
- Кога користите штитник за тркалото за сечење или штитник за тркало за брусење за предни операции со чашковидни дијамантски тркала, штитникот за тркало може да го попречи работниот материјал предизвикувајќи слаба контрола.
- Кога користите штитник за тркалото за сечење или штитник за тркало за брусење со жичена четка од кружен тип што е со поголема дебелина од максималната дебелина наведена во „СПЕЦИФИКАЦИИ“, жиците може да се фатат на штитникот што доведува до кинење на жиците.
- Користењето штитници за тркало за собирање прав за операции на сечење и предни операции во бетон или ѕидарство го намалува ризикот од изложување на прав.
- Кога користите тркала монтирани со фланша за двојна намена (комбинирано брусење и абразивно сечење), користете само штитник за тркало за сечење.



-	Примена	Модел од 100 мм	Модел од 115 мм	Модел од 125 мм
1	-	Страничен држач		
2	-	Штитник за тркало (за брусно тркало)		
3	-	Внатрешна фланша		
4	Брусење / шмирглање	Тркало со вдлабната средина/повеќеделен диск		
5	-	Навртка за стегање		
6	-	-	Ezy nut *1	
7	-	Подлошка		
8	Брусење	Флекси-тркало		
9	-	Внатрешна фланша и гумена подлога 76	Гумена подлошка 100	Гумена подлошка 115
10	Шмирглање	Абразивен диск		
11	-	Навртка за шмирглање		

-	Примена	Модел од 100 мм	Модел од 115 мм	Модел од 125 мм
12	Четкање со жица	Кружна жичена четка		
13	Четкање со жица	Испакната жичена четка		
14	Сечење отвори	Секач за отвори		
15	-	Штитник за тркало (за тркало за сечење)		
16	Сечење	Тркало за абразивно сечење/дијамантско тркало		
17	Брусење / сечење	Тркало за двојна намена		
18	-	Додаток на прикачување за штитникот за тркалото за сечење *2		
19	-	Штитник за тркало за собирање прав за тркало за сечење *3		
20	Сечење	Дијамантско тркало		
21	-	-	Штитник за тркало за собирање прав за брусење *4	
22	Брусење	-	Чашковидно дијамантско тркало *4	
-	-	Клуч за стегање		

НАПОМЕНА: *1 Само за алати со навој на вретеното M14.

НАПОМЕНА: *2 Додатокот на прикачување за штитникот за тркалото за сечење не е достапен во некои земји. За повеќе детали, погледнете го упатството за употреба на додатокот на прикачување за штитникот за тркалото за сечење.

НАПОМЕНА: *3 За повеќе детали, погледнете го секое упатство за употреба на штитникот.

НАПОМЕНА: *4 Само за моделот DGA456 / DGA506

За повеќе детали, погледнете го секое упатство за употреба на штитникот.

ОПЦИОНАЛЕН ПРИБОР

⚠ ВНИМАНИЕ: Овој прибор или додатоци се препорачуваат за користење со алатот од Makita дефиниран во упатството. Со користење друг прибор или додатоци може да се изложите на ризик од телесни повреди. Користете ги приборот и додатоците само за нивната назначена намена.

Ако ви треба помош за повеќе детали за приборот, прашајте во локалниот сервисен центар на Makita.

- Оригинална батерија и полнач на Makita
- Прибор наведен во „КОМБИНАЦИЈА НА ПРИМЕНИ И ДОДАТОЦИ“

НАПОМЕНА: Некои ставки на листата може да се вклучени со алатот како стандарден прибор. Тие може да се разликуваат од држава до држава.

ТЕХНИЧКИ ПОДАЦИ

Модел:		DGA406	DGA456	DGA506
Применљива брусна плоча	Макс. пречник плоче	100 мм	115 мм	125 мм
	Макс. дебљина плоче	6,4 мм	7,2 мм	
Применљив диск за одсецање	Макс. пречник плоче	105 мм	115 мм	125 мм
	Макс. дебљина плоче	3,2 мм		
Применљива обртна жичана четка	Макс. пречник плоче	100 мм	115 мм	125 мм
	Макс. дебљина плоче	20 мм		
Навој вретена		M10	M14 или 5/8" (у зависности од земље)	
Макс. дужина вретена		18 мм	23 мм	
Брзина без оптерећења (n ₀) / номинална брзина (n)		8.500 мин ⁻¹		
Укупна дужина	са BL1840B	362 мм		
Нето тежина		2,2 – 3,7 кг	2,3 – 3,8 кг	2,4 – 3,8 кг
Номинални напон		DC 18 V		

- На основу нашег непрестаног истраживања и развоја задржавамо право измена наведених техничких података без претходне најаве.
- Спецификације могу да се разликују у различитим земљама.
- Тежина може да се разликује у зависности од наставака, укључујући и уложак батерије. Најлакша и најтежа комбинација, према процедури ЕПТА 01/2014, приказане су у табели.

Применљив уложак батерије и пуњач

Уложак батерије	BL1815N / BL1820B / BL1830B / BL1840B / BL1850B / BL1860B
Пуњач	DC18RC / DC18RD / DC18RE / DC18SD / DC18SE / DC18SF / DC18SH / DC18WC

- Неки горенаведени улошци батерија и пуњачи можда неће бити доступни у зависности од места становања.

▲УПОЗОРЕЊЕ: Користите само горенаведене улошке батерије и пуњаче. Коришћење других уложака батерије и пуњача може узроковати повреде и/или пожар.

Препоручени извор напајања повезан каблом

Преносиво напајање	PDC01
--------------------	-------

- Извори напајања повезани каблом који су горенаведени можда неће бити доступни у зависности од вашег места становања.
- Пре него што користите извор напајања повезан каблом, прочитајте упутства и безбедносне ознаке на њему.

Симболи

У наставку су приказани симболи који се односе на опрему. Пре употребе се обавезно упознајте са њиховим значењем.



Увек рукујте алатом обема рукама.



Немојте да користите штитник плоче приликом одсецања.



Прочитајте упутство за употребу.



Носите заштитне наочаре.



Само за земље ЕУ
Због присуства штетних компонента у опреми, отпад од електричне и електронске опреме, акумулатора и батерија, може да има негативан утицај на животну средину и здравље људи. Не одлажите електричне и електронске уређаје или батерије са кућним отпадом! У складу са европском директивом о отпаду од електричне и електронске опреме и о акумулаторима и батеријама и отпаду од акумулатора и батерија, као и њеном прилагођавању националном закону, отпад од електричне и електронске опреме, батерија и акумулатора мора да се прикупи одвојено и достави одвојеном сабиралишту за комунални отпад који ради у складу са прописима о заштити животне средине. То означава симбол прецртане канте за смеће на опреми.

Намена

Овај алат је намењен за брушење, полирање, четкање жичаном четком, сечење отвора и резање метала и камена без употребе воде.

Бука

Типичан А-пондерисани ниво буке одређен је према стандарду EN62841-2-3:

Модел	Ниво звучног притиска (L_{pA}): (dB (A))	Ниво звучне снаге (L_{WA}): (dB (A))	Несигурност (K): (dB (A))
DGA406	83	91	3
DGA456	82	90	3
DGA506	82	90	3

НАПОМЕНА: Декларисане вредности емисије буке су измерене према стандардизованом мерном поступку и могу се користити за упоређивање алата.

НАПОМЕНА: Декларисана вредност емисије буке се такође може користити за прелиминарну процену изложености.

▲ УПОЗОРЕЊЕ: Носите заштитне слушалице.

▲ УПОЗОРЕЊЕ: Емисије буке током стварне примене електричног алата могу се разликовати од декларисане вредности у зависности од начина на који се користи алат, а посебно која врста предмета се обрађује.

▲ УПОЗОРЕЊЕ: Уверите се да сте идентификовали безбедносне мере за заштиту руковаоца које су засноване на процени изложености у стварним условима употребе (узимајући у обзир све делове радног циклуса, као што је време рада уређаја, али и време када је алат искључен и када ради у празном ходу).

▲ УПОЗОРЕЊЕ: Брушење танких металних лимова или других лако вибрирајућих структура са великом површином може довести до много веће укупне емисије буке (до 15 dB) од декларисаних вредности емисије буке.

На такве предмете обраде поставите тешке савитљиве простирке за пригушивање или слично, како бисте спречили емитовање звука.

Узмите у обзир повећану емисију буке при процени ризика од излагања буци и при избору адекватне заштите за слух.

Вибрације

Укупна вредност вибрација (векторски збир по три осе) одређена је према стандарду EN62841-2-3:

Режим рада: брушење површине помоћу стандардног бочног рукохвата (дршке)

Модел	Вредност емисије вибрација ($a_{h, A}$): (m/s^2)	Несигурност (K): (m/s^2)
DGA406	4,5	1,5
DGA456	6,5	1,5
DGA506	6,5	1,5

Режим рада: брушење површине помоћу антивибрационог бочног рукохвата (дршке)

Модел	Вредност емисије вибрација ($a_{H, AG}$): (m/s^2)	Несигурност (K): (m/s^2)
DGA406	4,0	1,5
DGA456	6,0	1,5
DGA506	6,0	1,5

Режим рада: брушење диском помоћу стандардног бочног рукохвата

Модел	Вредност емисије вибрација ($a_{H, DS}$): (m/s^2)	Несигурност (K): (m/s^2)
DGA406	2,5 m/s^2 или мања	1,5
DGA456	2,5 m/s^2 или мања	1,5
DGA506	2,5 m/s^2 или мања	1,5

Режим рада: брушење диском помоћу антивибрационог бочног рукохвата

Модел	Вредност емисије вибрација ($a_{H, DS}$): (m/s^2)	Несигурност (K): (m/s^2)
DGA406	2,5 m/s^2 или мања	1,5
DGA456	2,5 m/s^2 или мања	1,5
DGA506	2,5 m/s^2 или мања	1,5

НАПОМЕНА: Декларисане укупне вредности вибрација су измерене према стандардизованом мерном поступку и могу се користити за упоређивање алата.

НАПОМЕНА: Декларисане укупне вредности вибрација се такође могу користити за прелиминарну процену изложености.

▲УПОЗОРЕЊЕ: Вредност емисије вибрација током стварне примене електричног алата може се разликовати од декларисане вредности у зависности од начина на који се користи алат, а посебно која врста предмета се обрађује.

▲УПОЗОРЕЊЕ: Уверите се да сте идентификовали безбедносне мере за заштиту руковаоца које су засноване на процени изложености у стварним условима употребе (узимајући у обзир све делове радног циклуса, као што је време рада уређаја, али и време када је алат искључен и када ради у празном ходу).

▲УПОЗОРЕЊЕ: Декларисана вредност емисије вибрација важи за главне примене електричног алата. Међутим, ако се електрични алат користи за друге примене, вредност емисије вибрација се може разликовати.

ЕЗ декларација о усаглашености

Само за европске земље

ЕЗ декларација о усаглашености део је Додатка А у овом приручнику са упутствима.

БЕЗБЕДНОСНА УПОЗОРЕЊА

Општа безбедносна упозорења за електричне алате

▲УПОЗОРЕЊЕ Прочитајте сва безбедносна упозорења, упутства, илустрације и спецификације достављене уз овај електрични алат. Непоштовање свих доленаведених безбедносних упутстава може изазвати електрични удар, пожар и/или озбиљну повреду.

Сачувајте сва упозорења и упутства за будуће потребе.

Термин „електрични алат“ у упозорењима односи се на електрични алат који се напаја из електричне мреже (каблом) или батерије (без кабла).

Безбедносна упозорења за бежичну брусилу

Безбедносна упозорења која се односе на брушење, полирање, четкање жичаном четком или одсецање:

1. Овај електрични алат је предвиђен да функционише као алат за брушење, полирање, четкање жичаном четком, сечење отвора и одсецање. Прочитајте сва безбедносна упозорења, упутства, илустрације и спецификације које су испоручене уз овај електрични алат. Непоштовање свих доленаведених безбедносних упутстава може изазвати електрични удар, пожар и/или озбиљну повреду.

2. **Овим електричним алатом не смеју да се обављају радови као што је полирање.** Обављање радова за које електрични алат није намењен може изазвати опасности и телесне повреде.
 3. **Немојте преправљати овај електрични алат за начин рада који није посебно предвиђен и наведен од стране произвођача алата.** Такво преправљање може довести до губитка контроле и проузроковати озбиљне телесне повреде.
 4. **Не користите додатни прибор који није специјално пројектован и наведен од стране произвођача алата.** Ако неки прибор може да се прикључи на ваш електрични алат, то не значи да осигурава безбедан рад.
 5. **Номинална брзина прибора мора да буде најмање једнака максималној брзини означеној на електричном алату.** Прибори који се крећу брже од њихове номиналне брзине могу да се сломају и разлете у комадићима.
 6. **Спољни пречник и дебљина прибора морају да одговарају номиналном капацитету вашег електричног алата.** Додатни прибори неправилне величине не могу се адекватно заштитити или контролисати.
 7. **Димензије за монтажу додатног прибора морају да одговарају димензијама монтажног дела електричног алата.** Додатни прибор који не одговара монтажном делу електричног алата биће избачен из равнотеже, јако ће вибрирати и може да доведе до губитка контроле.
 8. **Не користите оштећени додатни прибор.** Пре сваке употребе преконтролишите додатни прибор, на пример, брусне плоче на листане и напрслине, потпорне подлоге на напрслине, хабање или претерано трошење, жичану четку на лабаве или напрсле чекиње. Ако електрични алат или прибор падну, проверите да ли су оштећени или поставите неоштећени прибор. Пошто преконтролишете и инсталирате прибор, присутни посматрачи и ви сами треба да се склоните од равни ротирајућег прибора, а електрични алат прво пустите да ради са максималном брзином празног хода око један минут. Оштећени прибор ће се обично поломити током овог времена тестирања.
 9. **Носите заштитну опрему. У зависности од примене, користите штитник за лице, заштитну маску или заштитне наочаре.** Ако је потребно, носите маску за заштиту од прашице, штитнике за слух, рукавице и радну кећелу која може да заустави мале абразивне честице или делиће предмета обраде. Заштита за очи мора да буде у стању да заустави летеће опилке који се стварају при разним применама. Маска за заштиту од прашице или респиратор морају да буду у стању да филтрирају честице које се стварају током одређене примене. Дуже излагање високом нивоу буке може довести до губитка слуха.
 10. **Удаљите посматраче на безбедну удаљеност од радног подручја.** Свако ко улази у радно подручје мора да носи личну заштитну опрему. Делићи предмета обраде или поломљеног прибора могу бити одбачени и изазвати повреду и изван непосредног радног подручја.
 11. **Електрични алат држите искључиво за изоловане рукохвате када обављате радове при којима постоји могућност да резни алат додирне скривене вогуће.** Контакт са каблом под напором ставља под напон и изложене металне делове електричног алата и излаже руковаоца електричном удару.
 12. **Никад не одлажите електрични алат док се прибор потпуно не заустави.** Ротирајући прибор може да се укопа у површину и избади електрични алат из ваше контроле.
 13. **Немојте да укључујете електрични алат док га носите поред тела.** Случајан додир са ротирајућим прибором може да захвати вашу одећу и повуче прибор према вашем телу.
 14. **Редовно чистите вентилационе отворе електричног алата.** Мотор-вентилатор ће увлачити праšину у кућиште, а превелико нагомилавање металне прашице може изазвати електричне опасности.
 15. **Не укључујте електрични алат близу запаљивих материјала.** Варнице би могле да упале такве материјале.
 16. **Немојте да користите прибор за који је потребна расхладна течност.** Употреба воде или других расхладних течности може довести до електричног удара.
- Повратни удар и повезана упозорења:**
Повратни удар представља изненадну реакцију која се јавља када се ротирајућа плоча, потпорна подлога, четка или други прибор укљеште или укопају. Укљештење или уковавање изазива брзо блокирање ротирајућег прибора, који онда доводи до принудног неконтролисаног кретања алата у смеру супротном од смера ротације прибора у тренутку укљештења.
На пример, ако се брусна плоча укопа или укљешти у предмет обраде, ивица плоче која улази у тачку укљештења може да зарони у површину материјала изазивајући извлачење или одскакање плоче. Плоча може да одскочи или ка руковаоцу или од њега, што зависи од смера кретања плоче у тренутку укљештења. Под таквим условима, може доћи до лома брусних плоча.
Повратни удар је резултат неправилног коришћења електричног алата и/или неправилних радних поступака или услова и може се избећи предузимањем одговарајућих мера опреза које су наведене у наставку.
1. **Чврсто држите алат обема рукама, а тело и руке поставите тако да могу да издрже силе повратног удара.** Увек користите помоћну дршку, ако постоји, ради максималне контроле над повратним ударом или реакције на обртни момент при покретању. Руковалац може да контролише силе реакције на обртни момент или силе повратног удара ако предузме одговарајуће мере опреза.

2. **Никада не стављајте руку близу ротирајућег прибора.** Прибор може да направи повратни удар преко ваше руке.
3. **Не заузимајте положај у подручју кретања електричног алата у случају повратног удара.** Повратни удар ће принудити алат да се креће у смеру који је супротан од смера кретања плоче у тренутку укљештења.
4. **Будите нарочито пажљиви када обрађујете углове, оштре ивице итд. Избегавајте одскакање и уковавање прибора.** Углови, оштре ивице или одскакање имају тенденцију уковавања ротирајућег прибора и могу да изазову губљење контроле или повратни удар.
5. **Немојте прикључивати лапац тестере, лист за резање дрвета, сегментирану дијамантну плочу са периферним размаком већим од 10 мм или лист тестере са зупцима.** Такве тестере често стварају повратни удар и доводе до губитка контроле.

Безбедносна упозорења за брушење и одсецање:

1. **Користите само оне типове плоча који су наведени за ваш електрични алат и специјалне штитнике за изабрану плочу.** Плоче за које електрични алат није дизајниран не могу се адекватно заштитити и нису безбедне.
2. **Брусна површина коленастих брусних плоча мора да буде монтирана испод равни ивице штитника.** Неисправно монтирана плоча која прелази преко равни ивице штитника не може да буде адекватно заштићена.
3. **Штитник мора да буде чврсто причвршћен за електрични алат и постављен тако да обезбеди максималну безбедност, што значи да ће плоча бити минимално изложена према руковаоцу.** Штитник помаже да се руковалац заштити од делића поломљене плоче, случајног додиривања плоче или варница што може упалити одећу.
4. **Плоче морају да се користе искључиво за наведену намену. На пример: немојте да брусите бочном страном диска за одсецање.** Брусни дискови за одсецање намењени су периферном брушењу пошто бочна сила примењена на ове плоче може да изазове њихово пуцање.
5. **За изабрану плочу увек користите неоштећене прирубнице за плоче, одговарајуће величине и облика.** Правилно изабране прирубнице за плоче подржавају плоче и смањују могућност да се распадну. Прирубнице за дискове за одсецање могу се разликовати од прирубница за брусне плоче.
6. **Не користите истршене плоче са већих електричних алата.** Плоча која је намењена за већи алат није подесна за веће брзине мањег алата и може се распрснути.
7. **Када користите плоче за двоструку намену, увек користите одговарајући штитник за примену која се изводи.** Ако не користите одговарајући штитник, можда неће бити обезбеђен жељени ниво заштите, што може довести до тешких телесних повреда.

Додатна безбедносна упозорења за одсецање:

1. **Немојте „заглављивати“ диск за одсецање или немојте примењивати превелики притисак.** Не покушавајте да направите превише дубоки рез. Пренапрезање плоче повећава оптерећење и склоност ка увртању и блокирању плоче у резу и могућности повратног удара или ломљења плоче.
2. **Не заузимајте положај у линији са или иза ротирајуће плоче.** Када се у току рада плоча креће супротно од вашег тела, могући повратни удар може принудно усмерити ротирајућу плочу и електрични алат ка вама.
3. **Када се плоча блокира или ако се резање из неког разлога прекине, искључите електрични алат и не померајте га док се плоча потпуно не заустави.** Никада не покушавајте да уклоните зауставу за одсецање из реза док се плоча врти, јер то може изазвати повратни удар. Проверите и предузмите корективне мере да бисте елиминисали разлог блокирања плоче.
4. **Не започињите поново резање у предмету обраде.** Пустите да плоча достигне пуну брзину и пажљиво поново уведите алат у рез. Плоча може да се блокира, издигне или направи повратни удар у случају да се струја укључи док се плоча налази у резу.
5. **Подуприте плоче или било који предимензионирани предмет обраде да бисте опасност од укљештења и повратног удара свели на минимум.** Велики предмети обраде имају тенденцију да се улежу под сопственом тежином. Средства за осигурање се морају поставити испод предмета обраде, у близини линије резања и у близини ивице предмета обраде, са обе стране плоче.
6. **Будите посебно пажљиви када сечете „цепове“ у постојећим зидовима или другим непрогледним местима.** Плоча може исећи цевоводе за плин или воду, електричне каблове или предмете који могу изазвати повратни удар.
7. **Не покушавајте да обављате криволинијско сечење.** Пренапрезање плоче повећава оптерећење и склоност ка увртању и блокирању плоче у резу и могућности повратног удара или ломљења плоче, што може довести до тешких телесних повреда.
8. **Пре употребе сегментиране дијамантне плоче, проверите да ли је периферни размак између сегмената дијамантне плоче 10 мм или мањи, само са негативним нагибом.**

Безбедносна упозорења за полирање:

1. **Користите брусни папир одговарајуће величине.** Придржавајте се препорука произвођача при избору брусног папира. Већи брусни папир који превише штри изван брусне плоче, представља опасност од цепања и може изазвати уковавање и кидање плоче или повратни удар.

Безбедносна упозорења за четкање жичаном четком:

1. **Имајте на уму да чекиње четке отпадају и приликом нормалног четкања.** Немојте да пренапрежете чекиње примењујући превелико оптерећење на четку. Жичане чекиње могу лако да продру у танку одећу и/или кожу.

2. Ако користите штитник који је наведен за рад са жичаном четком, пазите да штитник не омета жичани диск или четку. Жичани диск или четка могу да повећају свој пречник због рада и центрифугалних сила.
19. Резне плоче не смеју да буду изложене било каквом бочном притиску.

Додатна безбедносна упозорења:

1. Као коленасте брусне плоче увек употребљавајте само плоче појачане стакленим влакнима.
2. **НИКАД НЕ КОРИСТИТЕ** камена тоцила за рад ове бруснице. Ова брусница није пројектована за ову врсту плоча јер може доћи до тешких телесних повреда.
3. Немојте да оштеђујете вретено, прирубницу (посебно монтажну површину) или сигурносне навртње. Оштећење тих делова може да проузрокује распадање брусне плоче.
4. Уверите се да плоча није у додиру са предметом обраде пре него што укључите прекидач.
5. Пре примене алата на стварном предмету обраде, пустите га да ради извесно време. Водите рачуна о вибрацијама или подрхтавању који су знак неправилне монтаже или неуравнотежене плоче.
6. За брушење употребљавајте прописану површину плоче.
7. Немојте да остављате укључен алат. Алат укључите само када га држите рукама.
8. Предмет обраде не додирујте одмах после завршеног брушења, јер може да буде врло врућ и можете да се опечете.
9. Прибор не додирујте одмах после завршеног брушења, јер може да буде врло врућ и можете да се опечете.
10. Водите рачуна о упутству произвођача у вези са правилном монтажом и употребом брусних плоча. Плочама рукујте опрезно и опрезно их складиштите.
11. За прилагођавање брусних плоча са већим отвором не употребљавајте посебне редуковане спојнице или адаптере.
12. Користите само прирубнице које су спецификацијом предвиђене за овај алат.
13. Код алата са навојним отвором плоче побрините се да дужина навоја на плочи одговара за прихватање дужине вретена.
14. Проверите да ли је предмет обраде правилно подупрт.
15. Водите рачуна о томе да се плоча окреће још извесно време после искључивања алата.
16. Ако је радно место веома вруће, влажно или пуно прашине која проводи електрицитет, прикључите апарат помоћу склопке за заштиту од кратког споја (30 mA) ради заштите руковоаца.
17. Алат не употребљавајте за обраду материјала који садрже азбест.
18. Када користите диск за одсецање, увек радите са штитником плоче за сакупљање прашине, ако је то предвиђено локалним прописима.
20. Немојте да користите платнене рукавице током рада. Влакна са платнених рукавица могу да доспеју у алат, што може да доведе до квара на алату.
21. Пре почетка рада, уверите се да у предмету обраде нема закопаних објеката полупт електричне цеви, цеви за воду или гас. У супротном може доћи до струјног удара, одвода струје или цурења гаса.
22. Ако је упијајућа хартија причвршћена за плочу, немојте је уклањати. Пречник упијајуће хартије мора бити већи од сигурносног навртња, спољашње прирубнице и унутрашње прирубнице.
23. Пре постављања брусне плоче, увек проверите део упијајуће хартије на листање или напрслине.
24. Правилно притегните сигурносне навртња. Прекомерно затезање плоче може довести до ломљења, а недовољна причвршћеност може изазвати подрхтавање.

САЧУВАЈТЕ ОВО УПУТСТВО.

▲УПОЗОРЕЊЕ: НЕМОЈТЕ себи да дозволите да занемарите строга безбедносна правила која се односе на овај производ услед чињенице да сте производ добро упознали и стекли рутину у руковању њима (услед честог коришћења). **НЕНАМЕНСКА УПОТРЕБА** или непоштовање безбедносних правила наведених у овом упутству могу довести до тешких телесних повреда.

Важна безбедносна упутства која се односе на уложак батерије

1. Пре употребе уложка батерије, прочитајте сва упутства и безбедносне ознаке на (1) пуној батерији, (2) батерији и (3) производу који користи батерију.
2. Не растављајте и не модификујте уложак батерије. Тиме можете да изазовете пожар, прекомерно загревање или експлозију.
3. Ако се време рада знатно скратило, одмах престаните са коришћењем. То може да доведе до ризика од прегревања, могућих опекотина, па чак и експлозије.
4. Ако електролит доспе у очи, исперите их чистом водом и одмах затражите помоћ лекара. То може да доведе до губитка вида.
5. Немојте да изазивате кратак спој уложка батерије:
 - (1) Немојте додиривати прикључке било којим проводним материјалом.
 - (2) Избегавајте складиштење уложка батерије у кутији са другим металним предметима као што ексери, новчићи итд.
 - (3) Немојте да излажете уложак батерије води или киши.
 Кратак спој батерије може да доведе до великог протока струје, прегревања, могућих опекотина, па чак и прегоревања.

6. Немојте да складиштите и користите алат и уложак батерије на местима где температура може да достигне или премaши 50 °C (122 °F).
7. Немојте да палите уложак батерије чак ни када је озбиљно оштећен или потпуно похабан. Уложак батерије може да експлодира у ватри.
8. Немојте да закивате, сечете, ломите, бацате или испуштате уложак батерије, или да њиме ударате по чврстој површини. На тај начин можете да изазовете пожар, прекомерно загревање или експлозију.
9. Немојте да користите оштећену батерију.
10. **Сдржане литијум-јонске батерије подлежу Закону о превозу опасних материја.** Приликом комерцијалног превоза, нпр. од стране трећих лица и превозника, мора се обратити посебна пажња на специјалне захтеве паковања и обележавања. Приликом припреме материјала за превоз, потребно је саветовати се са стручњаком за опасне материје. Такође обратите пажњу на евентуалне даље националне прописе. Омотајте траком или прекријте отворене контакте и запакујте батерију тако да се не може померати унутар паковања.
11. Када одлажете уложак батерије на отпад, извадите га из алата и одложите на безбедно место. Придржавајте се локалних прописа у вези са одлагањем батерије.
12. Батерије користите само са производима које је навела компанија Makita. Постављање батерије на производе који нису усаглашени може да доведе до пожара, прекомерне топлоте, експлозије или цурења електролита.
13. Ако се алат не користи током дужег периода, батерија мора да се извади из алата.
14. Током и након коришћења, уложак батерије може да акумулира толико топлоте да то може довести до опекотина, уобичајених и нискотемпературних. Пажљиво рукујте врућим улошцима батерије.
15. Не додирујте контакте алата одмах након коришћења јер су ожегата толико врући да могу да изазову опекотине.
16. Водите рачуна да се струготина, прашина или земља не заглаве у контактима, руцицама и жлебовима улошка батерије. То може проузроковати загревање, запаљивање, пуцање и неисправност алата или улошка батерије, што може да доведе до опекотина или телесних повреда.
17. Осим ако алат то не подржава, немојте да користите уложак батерије близу високонапонских разводних линија електричне струје. У супротном може доћи до квара или прегоривања алата или улошка батерије.
18. Држите батерију ван домашаја деце.

САЧУВАЈТЕ ОВО УПУТСТВО.

▲ПАЖЊА: Користите само оригиналне Makita батерије. Коришћење Makita батерија које нису оригиналне или батерија које су измењене може да доведе до пуцања батерије, које може да изазове пожар, телесне повреде или штету. То ће такође поништити гаранцију компаније Makita за Makita алат и пуњач.

Савети за максимално трајање батерије

1. Напуните уложак батерије пре него што се потпуно испразни. Сваки пут прекините рад са алатом и напуните уложак батерије када приметите да је снага алата слабија.
2. Никада немојте да поново пуните потпуно напуњени уложак батерије. Препуњавање скраћује радни век батерије.
3. Пуните уложак батерије на собној температури између 10°C и 40°C (између 50°F и 104°F). Сачекајте да се врући уложак батерије охлади пре пуњења.
4. Када не користите уложак батерије, извадите га из алата или пуњача.
5. Напуните уложак батерије ако га нећете користити дуже време (више од шест месеци).

ОПИС НАЧИНА ФУНКЦИОНИСАЊА

▲ПАЖЊА: Пре подешавања или провере функција алата увек проверите да ли је алат искључен и да ли је уложак батерије уклоњен.

Постављање и уклањање улошка батерије

▲ПАЖЊА: Увек искључите алат пре постављања или уклањања улошка батерије.

▲ПАЖЊА: Држите чврсто алат и уложак батерије када постављате или уклањате уложак батерије. Ако алат и уложак батерије не будете држали чврсто, могу вам исклизнути из руку, оштетити се при паду и повредити вас.

► Слика1: 1. Црвени индикатор 2. Дугме 3. Уложак батерије

Да бисте уклонили уложак батерије, клизањем га извучите из алата док клизањем померате дугме на предњој страни улошка.

Да бисте поставили уложак батерије, поравнајте језичак на њему са жлебом на кућишту и гурните га на место. Гурните га до краја тако да легне на своје место и чује се тихо шкљоцање. Ако видите црвени индикатор као што је приказано на слици, уложак батерије није потпуно закључан.

▲ПАЖЊА: Увек до краја гурните уложак батерије тако да се црвени индикатор не види. У супротном, он случајно може испасти из алата и повредити вас или неку особу у вашој близини.

▲ПАЖЊА: Немојте на силу да постављате уложак батерије. Ако уложак не можете лако да гурнете, то значи да га не постављате исправно.

Приказ преосталог капацитета батерије

Само за улошке батерије са индикатором

► **Слика2:** 1. Индикаторске лампице 2. Дугме за проверу

Притисните дугме за проверу на улошку батерије да бисте приказали преостали капацитет батерије. Индикаторске лампице ће се укључити на неколико секунди.

Индикаторске лампице			Преостали капацитет
Светли	Искључено	Трепће	
			Од 75% до 100%
			Од 50% до 75%
			Од 25% до 50%
			Од 0% до 25%
			Напуните батерију.
			Морате је да је батерија постала неисправна.

НАПОМЕНА: У зависности од услова коришћења и температуре околине, приказани капацитет може донекле да се разликује од стварног.

НАПОМЕНА: Прва (крајња лева) индикаторска лампица трепери када систем за заштиту батерије ради.

Приказ преосталог капацитета батерије

У зависности од земље

Када укључите алат, индикатор батерије показује преостали капацитет батерије.

► **Слика3:** 1. Индикатор батерије

Преостали капацитет батерије приказује се према следећој табели.

Статус индикатора батерије			Преостали капацитет батерије
Укључено	Искључено	Трепће	
			Од 50% до 100%
			Од 20% до 50%
			Од 0% до 20%
			Напуните батерију

Систем за заштиту алата/батерије

Алат је опремљен системом за заштиту алата/батерије. Овај систем аутоматски прекида напајање мотора како би продужио век трајања алата и батерије. Алат ће се аутоматски зауставити током рада ако алат или батерија уђу у једно од следећих стања:

Заштита од преоптерећења

Када се алатом рукује тако да он вуче превелику струју, алат ће аутоматски престати са радом без упозорења. У овој ситуацији, искључите алат и престаните са употребом која је довела до преоптерећења алата. Затим укључите алат да бисте га поново покренули.

Заштита од прегревања

Када се алат прегреје, он аутоматски престаје са радом и индикатор батерије показује следеће стање. У овој ситуацији, пустите да се алат охлади пре него што га поново укључите.

Укључено	Трепће

Ако се алат не покрене, батерија је можда прегрејана. У овом случају, пустите да се батерија охлади пре поновног покретања алата.

Заштита од превеликог пражњења

Када капацитет батерије није довољан, алат аутоматски престаје са радом. У том случају, уклоните батерију из алата и напуните је.

Ослобађање заштитне браве

Када се систем за заштиту активира узастопно, алат се закључава, а индикатор батерије приказује следеће стање. У овој ситуацији, алат се не покреће чак ни када га искључите и поново укључите. Да бисте ослободили заштитну браву, уклоните батерију, убаците је у пуњач батерије и сачекајте да се пуњење заврши.

Укључено	Искључено	Трепће

Заштита од других узрока

Систем за заштиту је такође дизајниран за друге узроке коју могу да оштете алат и омогућава му аутоматско заустављање. Обавите све следеће кораке да бисте отклонили узроке када се алат привремено заустави или заустави током рада.

1. Искључите алат, а затим га укључите да бисте га поново покренули.
2. Напуните батерије или их замените напуњеним батеријама.
3. Сачекајте да се алат и батерије охладе.

Ако поновним успостављањем система за заштиту не долази до никаквих побољшања, обратите се локалном сервисном центру компаније Makita.

Брава осовине

▲УПОЗОРЕЊЕ: Немојте да активирате браву осовине када се вретено okreће. То може да изазове тешке телесне повреде или оштећење алата.

Притисните тастер за браву осовине да се осовина не би обртала када постављате или скидате додатну опрему.

► **Слика4:** 1. Брава осовине

Функционисање прекидача

▲ПАЖЊА: Пре убацивања улошка батерије у алат, увек проверите да ли клизни прекидач ради правилно и да ли се враћа у положај „OFF“ (искључено) када притиснете задњу страну клизног прекидача.

▲ПАЖЊА: Прекидач може да буде закључан у положају „ON“ (укључивање) за удобнији рад оператера приликом дуге употребе. Будите пажљиви приликом закључавања алата у положају „ON“ (укључивање) и непрекидно чврсто држите алат.

Да бисте покренули алат, притисните надоле задњи крај клизног прекидача, а затим гурните прекидач у положај „I (ON)“. За непрекидни рад, притисните надоле предњи крај клизног прекидача да бисте га закључали.


► **Слика5:** 1. Клизни прекидач

Да бисте искључили алат, притисните надоле задњи крај клизног прекидача тако да се врати у положај „O (OFF)“.

► **Слика6:** 1. Клизни прекидач

Функција аутоматске промене брзине

► **Слика7:** 1. Индикатор режима

Стање индикатора режима	Режим рада
	Режим велике брзине
	Режим великог момента

Овај алат има „режим велике брзине“ и „режим великог момента“. Он аутоматски мења режим рада у зависности од радног оптерећења. Када се индикатор режима укључи током рада, алат је у режиму великог момента.

Функција за спречавање случајног укључивања

Ако постављате уложак батерије када је прекидач укључен, алат се не покреће.

Да бисте покренули алат, искључите прекидач и поново га укључите.

Технологија активног сензинга повратног удара

Алат електронски открива ситуације у којима су диск или прибор у опасности да се заглаве. У том случају, алат се аутоматски искључује како би се спречила даља ротација осовине (што неће спречити повратни удар).

Да бисте поново покренули алат, најпре га искључите, уклоните разлог изненадног пада брзине ротације, а затим поново укључите алат.

Функција лаганог старта

Функција лаганог старта смањује почетну реакцију.

Електрична кочница

Електрична кочница се активира након искључивања алата.

Кочница не функционише када је напајање искључено, на пример – када батерија случајно испадне, а прекидач је и даље укључен.

СКЛАПАЊЕ

▲ПАЖЊА: Пре подешавања или провере функција алата увек проверите да ли је алат искључен и да ли је уложак батерије уклоњен.

Монтажа бочног рукохвата (дршке)

▲ПАЖЊА: Пре употребе се побрините да бочни рукохват буде правилно монтиран.

Бочни рукохват чврсто притегните на алат у положају приказаном на слици.

► **Слика8**

Монтажа или скидање штитника плоче (коленасте брусне плоче, преклопног диска, еластичне плоче, обртне жичане четке / брусне плоче за одсецање, дијамантске плоче)

▲УПОЗОРЕЊЕ: Када се користи коленаста брусна плоча / преклопни диск, еластична плоча или обртна жичана четка, штитник плоче треба причврстити на алат тако да страна са штитником плоче буде увек усмерена према руковаоцу алатом.

▲УПОЗОРЕЊЕ: Када се користи брусна плоча за одсецање / дијамантска плоча, обавезно користите искључиво специјални штитник плоче пројектован за коришћење са брусним дисковима за одсецање.

За алат са штитником плоче у виду зауставног завртња

Штитник плоче поставите тако да избочине на прстену штитника плоче буду поравнате са жлебом на кућишту лежаја. Затим окрените штитник плоче под углом под којим ће руковалац на одговарајући начин бити заштићен у односу на посао који обавља. Пазите да завртањ буде чврсто затегнут.

Да бисте скинули штитник плоче, примените обрнути редослед.

- **Слика9:** 1. Штитник плоче 2. Кућиште лежаја 3. Завртањ

За алат са штитником плоче у виду полуке за стезање

Олабавите завртањ, а затим повуците полуку у смеру стрелице. Штитник плоче поставите тако да избочине на прстену штитника плоче буду поравнате са жлебом на кућишту лежаја. Затим окрените штитник плоче под углом под којим ће руковалац на одговарајући начин бити заштићен у односу на посао који обавља.

- **Слика10:** 1. Штитник плоче 2. Кућиште лежаја 3. Завртањ 4. Полука

Повуците полуку у смеру стрелице. Затим причврстите штитник плоче тако што ћете затегнути завртањ. Пазите да завртањ буде чврсто затегнут. Угао штитника плоче можете да подесите помоћу полуке.

- **Слика11:** 1. Завртањ 2. Полука

Да бисте скинули штитник плоче, примените обрнути редослед.

Додатак у виду штитника резне плоче који се причвршћује жабицом

Опциони додатни прибор

НАПОМЕНА: За радове везане за одсецање, уз штитник плоче (за брусну плочу) може да се користи додатак у виду штитника резне плоче који се причвршћује жабицом.

Није доступно у неким земљама.

- **Слика12**

Постављање или скидање коленасте брусне плоче / преклопног диска

Опциони додатни прибор

▲УПОЗОРЕЊЕ: Када се користи коленаста брусна плоча или преклопни диск, штитник плоче треба причврстити на алат тако да страна са штитником буде увек усмерена према руковаоцу.

▲УПОЗОРЕЊЕ: Уверите се да се део за постављање унутрашње прирубнице савршено уклапа у унутрашњи пречник коленасте брусне плоче / преклопног диска. Постављање унутрашње прирубнице на погрешну страну може да доведе до опасних вибрација.

Унутрашњу прирубницу поставите на осовину. Уверите се да је назубљени део унутрашње прирубнице налегао на прави део на дну осовине. Коленасту брусну плочу / преклопни диск навуците на унутрашњу прирубницу и заврните сигурносни навртањ на осовину.

- **Слика13:** 1. Сигурносни навртањ 2. Коленаста брусна плоча 3. Унутрашња прирубница 4. Део за постављање

Да бисте притегли сигурносни навртањ, снажно притисните браву осовине тако да осовина не може да се окреће, а затим кључем чврсто притегните сигурносни навртањ у смеру казаљке на сату.

- **Слика14:** 1. Кључ за сигурносни навртањ 2. Брава осовине

Да бисте скинули брусну плочу, примените обрнути редослед.

Постављање или скидање еластичне плоче

Опциони додатни прибор

▲УПОЗОРЕЊЕ: Увек користите испоручени штитник када је еластична плоча на алату. Плоча се може сломити током употребе, а штитник помаже тако што смањује шансе да дође до повреде.

- **Слика15:** 1. Сигурносни навртањ 2. Еластична плоча 3. Подметач 4. Унутрашња прирубница

Пратите упутства за коленасту брусну плочу, али на плочи користите и подметач.

Монтирање и уклањање брусног диска

Опциони додатни прибор

НАПОМЕНА: Употребљавајте само брусни прибор наведен у овом упутству. Морате га засебно купити.

За модел од 100 мм (4")

- **Слика16:** 1. Сигурносни навртањ за полирање 2. Брусни диск 3. Гумена подлошка 4. Унутрашња прирубница

1. Унутрашњу прирубницу поставите на осовину.
2. Гумену подлошку поставите на осовину.
3. Поставите диск на гумену подлошку и заврните сигурносни навртањ за полирање на осовину.
4. Држите осовину уз помоћ браве осовине и помоћу кључа за сигурносни навртањ добро затегните навртањ за закључавање шмиргле у смеру казаљке на сату.

Да бисте скинули диск, примените обрнути редослед.

За моделе осим за оне од 100 мм (4")

- **Слика17:** 1. Сигурносни навртањ за полирање 2. Брусни диск 3. Гумена подлошка

1. Гумену подлошку поставите на осовину.
2. Поставите диск на гумену подлошку и заврните сигурносни навртањ за полирање на осовину.
3. Држите осовину уз помоћ браве осовине и помоћу кључа за сигурносни навртањ добро затегните навртањ за закључавање шмиргле у смеру казаљке на сату.

Да бисте скинули диск, примените обрнути редослед.

Постављање или скидање Ezyput сигурносног навртња

Опциони додатни прибор

Само за алате са M14 вретеном са навојем.

Монтирајте унутрашњу прирубницу, брусну плочу и Ezyput сигурносни навртњак на вретено тако да се Makita логотип на Ezyput сигурносном навртњу налази са спољашње стране.

- **Слика18:** 1. Ezyput сигурносни навртњак
2. Брусна плоча 3. Унутрашња прирубница 4. Вретено

Притисните чврсто браву осовине и затегните Ezyput сигурносни навртњак тако што ћете окренути брусну плочу надесно колико год може да се окрене.

- **Слика19:** 1. Брава осовине

Да бисте пустили Ezyput сигурносни навртњак, окрените спољни прстен Ezyput сигурносног навртња налево.

НАПОМЕНА: Ezyput сигурносни навртњак може да се отпусти руком докле год стрелица показује ка зарезу. У супротном, потребан је кључ да бисте отпустили сигурносни навртњак. Уметните један клин кључа у отвор и окрените Ezyput сигурносни навртњак налево.

- **Слика20:** 1. Стрелица 2. Зарез

- **Слика21**

Постављање брусне плоче за одсецање / дијамантске плоче

Опциони додатни прибор

▲УПОЗОРЕЊЕ: Када се користи брусна плоча за одсецање / дијамантска плоча, обавезно користите искључиво специјални штитник плоче пројектован за коришћење са брусним дисковима за одсецање.

▲УПОЗОРЕЊЕ: НИКАДА не користите брусни диск за одсецање за радове на бочном брушењу.

- **Слика22:** 1. Сигурносни навртњак 2. Брусна плоча за одсецање / дијамантска плоча 3. Унутрашња прирубница 4. Штитник плоче за брусну плочу за одсецање / дијамантску плочу

За монтажу пратите упутство за коленасту брусну плочу. Смер монтаже сигурносног навртња и унутрашње прирубнице зависи од типа и дебљине плоче. Погледајте следеће слике.

За модел од 100 мм (4")

Приликом постављања брусне плоче за одсецање:

- **Слика23:** 1. Сигурносни навртњак 2. Брусна плоча за одсецање (тања од 4 мм (5/32")) 3. Брусна плоча за одсецање (4 мм (5/32") или дебља) 4. Унутрашња прирубница

Приликом постављања дијамантске плоче:

- **Слика24:** 1. Сигурносни навртњак 2. Дијамантска плоча (тања од 4 мм (5/32")) 3. Дијамантска плоча (4 мм (5/32") или дебља) 4. Унутрашња прирубница

За моделе осим за оне од 100 мм (4")

Приликом постављања брусне плоче за одсецање:

- **Слика25:** 1. Сигурносни навртњак 2. Брусна плоча за одсецање (тања од 4 мм (5/32")) 3. Брусна плоча за одсецање (4 мм (5/32") или дебља) 4. Унутрашња прирубница

Приликом постављања дијамантске плоче:

- **Слика26:** 1. Сигурносни навртњак 2. Дијамантска плоча (тања од 4 мм (5/32")) 3. Дијамантска плоча (4 мм (5/32") или дебља) 4. Унутрашња прирубница

Постављање жичане четке у облику купе

Опциони додатни прибор

▲ПАЖЊА: Не употребљавајте четку која је оштећена или неуравнотежена. Ако користите оштећену четку, повећаће се опасност од повреде изазване сломљеним жицама са четке.

Поставите алат наопако како бисте омогућили лак приступ вретену.

Скините све додатке са осовине. Ставите жичану четку у облику купе на осовину и стегните је испорученим кључем.

- **Слика27:** 1. Жичана четка у облику купе

Постављање обртне жичане четке

Опциони додатни прибор

▲ПАЖЊА: Не употребљавајте обртну жичану четку која је оштећена или неуравнотежена. Ако користите оштећену обртну жичану четку, повећаће се опасност од повреде изазване сломљеним жицама са четке.

▲ПАЖЊА: УВЕК користите штитник с обртним жичаним четкама, водећи рачуна да пречник плоче одговара штитнику. Плоча се може сломити током употребе, а штитник помаже тако што смањује шансе да дође до повреде.

Поставите алат наопако како бисте омогућили лак приступ вретену.

Скините све додатке са осовине. Заврните обртну жичану четку на осовину и стегните је кључем.

- **Слика28:** 1. Обртна жичана четка

Постављање секача отвора

Опциони додатни прибор

Поставите алат наопако како бисте омогућили лак приступ вретену.

Уклоните сав додатни прибор са вретена. Навијте секач отвора на вретено и затегните га достављеним кључем.

- **Слика29:** 1. Секач отвора

Постављање штитника плоче за сакупљање прашине за брушење

Само за модел DGA456 / DGA506

Опциони додатни прибор

Када се постави додатни прибор, овај алат може да се користи брушење бетонских површина.

ПАЖЊА: Штитник плоче за прикупљање прашине за дијамантску брусну плочу се користи само за брушење бетонских површина помоћу дијамантске брусне плоче. Немојте да користите овај штитник са другим алатом за сечење или за неку другу намену.

ПАЖЊА: Пре почетка рада, проверите да ли је усисивач повезан на алат и укључен.

Окрените алат наопако и поставите штитник плоче за сакупљање прашине.

Унутрашњу прирубницу поставите на вретено. Навуците дијамантску плочу у облику купе на унутрашњу прирубницу и причврстите сигурносни навртањ на вретено.

► **Слика30:** 1. Сигурносни навртањ 2. Дијамантска плоча у облику купе 3. Дијамантска плоча у облику купе са главчином 4. Унутрашња прирубница 5. Штитник плоче за сакупљање прашине 6. Кућиште лежаја

НАПОМЕНА: За информације о постављању штитника плоче за сакупљање прашине, погледајте упутство за употребу штитника плоче за сакупљање прашине.

Постављање штитника плоче за сакупљање прашине за одсецање

Опциони додатни прибор

Када се постави опциони додатни прибор, можете да користите овај алат за сечење материјала од камена.

► **Слика31**

НАПОМЕНА: За информације о постављању штитника плоче за сакупљање прашине, погледајте упутство за употребу штитника плоче за сакупљање прашине.

РАД

УПОЗОРЕЊЕ: Током рада никада не употребљавајте силу. Сама тежина алата обезбеђује довољан притисак. У случају претераног притиска постоји опасност да се плоча распадне.

УПОЗОРЕЊЕ: Брусну плочу УВЕК замените ако се алат током брушења срушио.

УПОЗОРЕЊЕ: Брусна плоча НИКАДА не сме да удари о предмет обраде.

УПОЗОРЕЊЕ: Водите рачуна да брусна плоча не одскочи или да се не окрњи, нарочито приликом обраде углова, оштрих ивица итд. То би могло да изазове губитак контроле и повратни ударац.

УПОЗОРЕЊЕ: Алат НИКАДА не употребљавајте са листовима тестере за резање дрвета и другим листовима тестере. Ако се употребе на брусилицу, такви листови тестере изазивају честе повратне ударце и губитак контроле, што може да доведе до повреда.

ПАЖЊА: Никада немојте да укључујете алат када је у контакту са предметом обраде, јер може доћи до повреде руковаоца.

ПАЖЊА: Увек носите заштитне наочаре или штитник за лице током рада.

ПАЖЊА: По завршетку рада увек искључите алат и пре одлагања алата сачекајте да се брусна плоча потпуно заустави.

ПАЖЊА: Алат УВЕК чврсто држите једном руком за кућиште, а другом за бочни рукохват (дршку).

НАПОМЕНА: Плоча за двоструку намену може да се користи и за брушење и одсецање.

За брушење погледајте одељак „Брушење и полирање“, а за одсецање погледајте одељак „Рада са брусном плочом за одсецање / дијамантском плочом“.

Брушење и полирање

► **Слика32**

Укључите алат, а затим ставите плочу или диск на предмет обраде.

Обично ивицу плоче или диска треба држати под углом од отприлике 15° у односу на површину предмета обраде.

Током периода уходавања са новом плочом, немојте да усмеравае брусилицу унапред, пошто ће засећи предмет обраде. Када се ивица плоче услед употребе заобли, плочу можете да употребљавате у оба правца – унапред и уназад.

Пример употребе: рад са дијамантском плочом у облику купе

► **Слика33**

Држите алат у хоризонталном положају и поставите целу дијамантску плочу у облику купу на површину предмета обраде.

Рад са брусном плочом за одсецање / дијамантском плочом

Опциони додатни прибор

▲УПОЗОРЕЊЕ: Не „ометајте“ плочу и не примењујте превелики притисак. Не покушавајте да направите превише дубоки рез. Пренапрезање плоче повећава оптерећење и склоност ка увртању и блокирању плоче у резу и могућност повратног удара, ломљења плоче и прегревања мотора.

▲УПОЗОРЕЊЕ: Не започињите резање у предмету обраде. Пустите да плоча достигне пуну брзину и пажљиво уведите алат у рез померајући алат унапред преко површине предмета обраде. Плоча може да се блокира, издиже или прави повратни удар у случају да дође до укључивања струје док се плоча налази у резу.

▲УПОЗОРЕЊЕ: Никад не мењајте угао нагиба плоче током резања. Бочни притисак на диск за одсецање (као код брушења) доведи до прскања и ломљења диска, што може проузроковати озбиљне повреде.

▲УПОЗОРЕЊЕ: Дијамантску плочу треба употребљавати под правим углом у односу на материјал који се сече.

Пример употребе: рад са брусним диском за одсецање
► Слика34

Пример употребе: рад са дијамантском плочом
► Слика35

Руковање жичаном четком у облику купе

Опциони додатни прибор

▲ПАЖЊА: Проверите функционисање четке радом у празном ходу, и то само када сте сигурни да никог нема испред или у линији са четком.

ОБАВЕШТЕЊЕ: Немојте примењивати превелики притисак док користите жичану четку у облику купе, јер то изазива савијање жица. Може довести до превременог ломљења.

Пример употребе: рад са жичаном четком у облику купе
► Слика36

Руковање обртном жичаном четком

Опциони додатни прибор

▲ПАЖЊА: Проверите функционисање обртне жичане четке радом у празном ходу, и то само када сте сигурни да никог нема испред или у линији са четком.

ОБАВЕШТЕЊЕ: Немојте примењивати превелики притисак док користите обртну жичану четку, јер то изазива савијање жица. Може довести до превременог ломљења.

Пример употребе: рад са обртном жичаном четком
► Слика37

Руковање секачем отвора

Опциони додатни прибор

▲ПАЖЊА: Проверите функционисање секача отвора радом алата у празном ходу, и то само када сте сигурни да никог нема испред секача отвора.

ОБАВЕШТЕЊЕ: Немојте нагињати алат током рада. Може доћи до превременог ломљења.

Пример употребе: рад са секачем отвора
► Слика38

ОДРЖАВАЊЕ

▲ПАЖЊА: Пре него што почнете с прегледом или одржавањем алата, искључите алат и уклоните уложак батерије.

ОБАВЕШТЕЊЕ: Никад немојте да користите нафту, бензин, разређивач, алкохол и слична средства. Може доћи до губитка боје, деформације или оштећења.

БЕЗБЕДАН и ПОУЗДАН рад алата гарантујемо само ако поправке, свако друго одржавање или подешавање, препустите овлашћеном сервису компаније Makita или фабричком сервису, уз употребу оригиналних резервних делова компаније Makita.

Чишћење вентилационог отвора

Алат и вентилационе отворе увек одржавајте чистим. Вентилационе отворе чистите редовно или када почну да се зачепљују.

► Слика39: 1. Издувни отвор 2. Усисни отвор

Скитите поклопац за прашину са усисног отвора и очистите га ради несметаног циркулисања ваздуха.

► Слика40: 1. Поклопац за заштиту од прашине

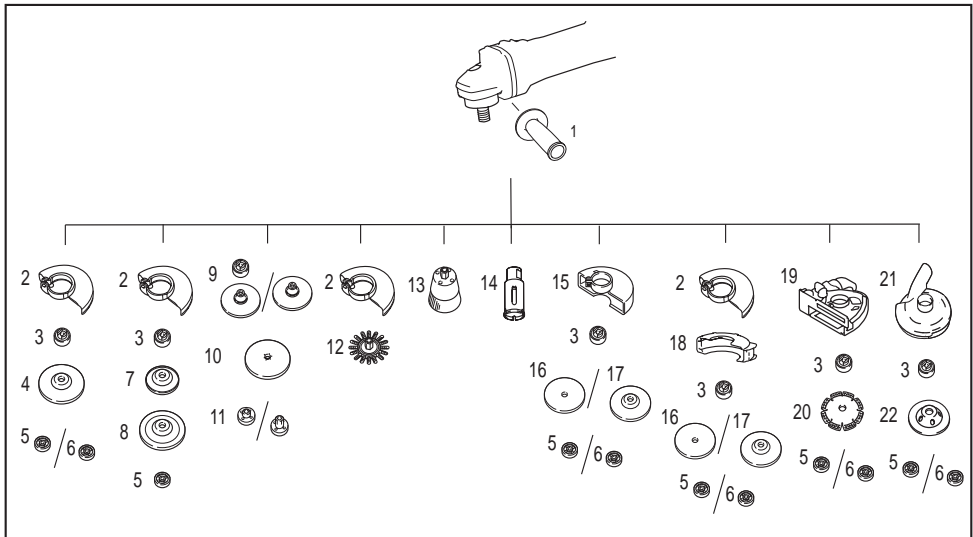
ОБАВЕШТЕЊЕ: Очистите поклопац за прашину када се запуши прашином или страним предметима. Наставак употребе са запушеним поклопцем за прашину може оштетити алат.

КОМБИНАЦИЈА ПРИМЕНЕ И ДОДАТНОГ ПРИБОРА

Опциони додатни прибор

▲ПАЖЊА: Коришћење алата са неодговарајућим штитницима може да проузрокује следеће ризике.

- Када користите штитник диска за одсецање ради брушења равних површина, штитник плоче може да омета предмет обраде и проузрокује лошу контролу над алатом.
- Када за одсецање користите штитник за брусну плочу са повезаним брусним плочама и дијамантским плочама, постоји повећани ризик од излагања ротирајућим плочама, емитованим варницама и честицама, као и излагање делићима плоче у случају распрснућа плоче.
- Када за брушење равних површина користите штитник диска за одсецање или штитник за брусну плочу са дијамантским плочама у облику купе, штитник плоче може да омета предмет обраде и проузрокује лошу контролу над алатом.
- Када користите штитник диска за одсецање или штитник за брусну плочу са обртном жичаном четком дебљине веће од максималне дебљине која је наведена у поглављу „ТЕХНИЧКИ ПОДАЦИ“, жице могу да се ухвате за штитник што доводи до ломљења жица.
- Коришћење штитника плоче за сакупљање прашине смањује ризик од излагања прашини када обављате одсецање или брушење равних површина на бетону или зиду.
- Када користите плоче за двоструку намену (брусна плоча и брусна плоча за одсецања) са прирубницом, користите само штитник диска за одсецање.



-	Примена	Модел од 100 мм	Модел од 115 мм	Модел од 125 мм
1	-	Бочни рукохват		
2	-	Штитник плоче (за брусну плочу)		
3	-	Унутрашња прирубница		
4	Брушење / полирање	Коленаста брусна плоча / преклопни диск		
5	-	Сигурносни навртањ		
6	-	-	Езунут сигурносни навртањ *1	
7	-	Подметач		
8	Брушење	Еластична плоча		
9	-	Унутрашња прирубница и гумена подлошка 76	Гумена подлошка 100	Гумена подлошка 115
10	Полирање	Брусни диск		
11	-	Сигурносни навртањ за полирање		

-	Примена	Модел од 100 мм	Модел од 115 мм	Модел од 125 мм
12	Четкање жичаном четком	Обртна жичана четка		
13	Четкање жичаном четком	Жичана четка у облику купе		
14	Сечење отвора	Секач отвора		
15	-	Штитник плоче (за диск за одсецање)		
16	Одсецање	Брусна плоча за одсецање / дијамантска плоча		
17	Брушење / одсецање	Плоча за двоструку намену		
18	-	Додатак у виду штитника резне плоче који се причвршћује жабицом *2		
19	-	Штитник плоче за сакупљање прашине за одсецање *3		
20	Одсецање	Дијамантска плоча		
21	-	-	Штитник плоче за сакупљање прашине за брушење *4	
22	Брушење	-	Дијамантска плоча у облику купе *4	
-	-	Кључ за сигурносни навртањ		

НАПОМЕНА: *1 Само за алате са М14 вртеном са навојем.

НАПОМЕНА: *2 Додатак у виду штитника резне плоче који се причвршћује жабицом није доступан у неким земљама. За више информација погледајте упутство за употребу додатка за штитник резне плоче који се причвршћује жабицом.

НАПОМЕНА: *3 За више информација погледајте одговарајуће упутство за употребу штитника.

НАПОМЕНА: *4 Само за модел DGA456 / DGA506

За више информација погледајте одговарајуће упутство за употребу штитника.

ОПЦИОНИ ПРИБОР

⚠ ПАЗЊА: Ова опрема и прибор су предвиђени за употребу са алатом Makita описаним у овом упутству за употребу.

Употреба друге опреме и прибора може да доведе до повреда. Користите делове прибора или опрему искључиво за предвиђену намену.

Да бисте добили више детаља у вези са овим прибором, обратите се локалном сервисном центру компаније Makita.

- Makita оригинална батерија и пуњач
- Додатни прибор наведен у поглављу „КОМБИНАЦИЈА ПРИМЕНЕ И ДОДАТНОГ ПРИБОРА“

НАПОМЕНА: Поједине ставке на листи могу бити укључене у садржај паковања алата као стандардна опрема. Оне се могу разликовати од земље до земље.

SPECIFICAȚII

Model:		DGA406	DGA456	DGA506
Disc abraziv aplicabil	Diametrul maxim al discului	100 mm	115 mm	125 mm
	Grosimea maximă a discului	6,4 mm	7,2 mm	
Disc de retezat aplicabil	Diametrul maxim al discului	105 mm	115 mm	125 mm
	Grosimea maximă a discului	3,2 mm		
Perie de disc din sârmă aplicabilă	Diametrul maxim al discului	100 mm	115 mm	125 mm
	Grosimea maximă a discului	20 mm		
Filetul arborelui		M10	M14 sau 5/8" (în funcție de țară)	
Lungime maximă arbore		18 mm	23 mm	
Turație în gol (n ₀) / Turație nominală (n)		8.500 min ⁻¹		
Lungime totală	cu BL1840B	362 mm		
Greutate netă		2,2 - 3,7 kg	2,3 - 3,8 kg	2,4 - 3,8 kg
Tensiune nominală		18 V cc.		

- Datorită programului nostru continuu de cercetare și dezvoltare, specificațiile pot fi modificate fără o notificare prealabilă.
- Specificațiile pot varia în funcție de țară.
- Greutatea poate diferi în funcție de accesoriu(ii), inclusiv cartușul acumulatorului. În tabel se prezintă combinația cea mai ușoară și cea mai grea, conform Procedurii EPTA 01/2014.

Cartușul acumulatorului și încărcătorul aplicabile

Cartușul acumulatorului	BL1815N / BL1820B / BL1830B / BL1840B / BL1850B / BL1860B
Încărcător	DC18RC / DC18RD / DC18RE / DC18SD / DC18SE / DC18SF / DC18SH / DC18WC

- Este posibil ca unele cartușe ale acumulatorilor și încărcătoare menționate mai sus să nu fie disponibile în funcție de regiunea dvs. de reședință.

⚠️ AVERTIZARE: Utilizați numai cartușele de acumulator și încărcătoarele enumerate mai sus. Utilizarea oricărui altor cartușe de acumulator și încărcătoare poate duce la rănire și/sau incendiu.

Sursă de alimentare cu conectare prin cablu recomandată

Bloc de alimentare portabil	PDC01
-----------------------------	-------

- Este posibil ca sursa/sursele de alimentare cu conectare prin cablu menționată(e) mai sus să nu fie disponibilă(e) în funcție de regiunea dumneavoastră de reședință.
- Înainte de a utiliza sursa de alimentare cu conectare prin cablu, citiți instrucțiunile și atenționările de pe aceasta.

Simboluri

Mai jos sunt prezentate simbolurile care pot fi utilizate pentru echipament. Asigurați-vă că înțelegeți sensul acestora înainte de utilizare.



Citiți manualul de utilizare.



Purtați ochelari de protecție.



Acționați întotdeauna cu ambele mâini.



Nu utilizați apăratorea discului pentru operații de rețezare.



Doar pentru țările din cadrul UE
Din cauza prezenței componentelor periculoase în echipament, deșeurile de echipamente electrice și electronice, acumulatorii și bateriile pot avea un efect negativ asupra mediului și sănătății umane.

Nu eliminați aparatele electrice și electronice sau bateriile împreună cu gunoii menajeri!

În conformitate cu Directiva europeană privind deșeurile de echipamente electrice și electronice, acumulatorii, bateriile și deșeurile de acumulatori și baterii, precum și cu adaptarea sa în legislația națională, deșeurile de echipamente electrice, de baterii și de acumulatori trebuie depozitate separat și eliminate la un centru de colectare separat pentru deșeurile municipale, care respectă reglementările privind protecția mediului.

Acest lucru este indicat prin simbolul care reprezintă o pubea cu roți barată cu o cruce, aplicat pe echipament.

Destinația de utilizare

Mașina este destinată polizării, șlefuirii, curățării cu perie de sârmă, găuririi și tăierii materialelor de metal și piatră fără utilizarea apei.

Zgomot

Nivelul de zgomot normal ponderat A determinat în conformitate cu EN62841-2-3:

Model	Nivel de presiune acustică (L_{pA}): (dB(A))	Nivel de putere acustică (L_{WA}): (dB(A))	Marjă de eroare (K): (dB(A))
DGA406	83	91	3
DGA456	82	90	3
DGA506	82	90	3

NOTĂ: Valoarea (valorile) totală(e) a (ale) emisiilor de zgomot declarate a(u) fost măsurată(e) în conformitate cu o metodă de test standard și poate (pot) fi utilizată(e) pentru compararea unei unelte cu alta.

NOTĂ: Valoarea (valorile) totală(e) a (ale) emisiilor de zgomot declarate poate (pot) fi, de asemenea, utilizată(e) într-o evaluare preliminară a expunerii.

⚠️ AVERTIZARE: Purtați echipament de protecție pentru urechi.

⚠️ AVERTIZARE: Emisiile de zgomot în timpul utilizării efective a uneltei electrice poate diferi de valoarea (valorile) nivelului declarat, în funcție de modul în care unealta este utilizată, în special ce fel de piesă este prelucrată.

⚠️ AVERTIZARE: Asigurați-vă că identificați măsurile de siguranță pentru a proteja operatorul, acestea fiind bazate pe o estimare a expunerii în condiții reale de utilizare (luând în considerare toate părțile ciclului de operare, precum timpii în care unealta a fost oprită, sau a funcționat în gol, pe lângă timpul de declanșare).

⚠️ AVERTIZARE: Polizarea foilor subțiri de metal sau a altor structuri ușor vibrante cu o suprafață mare poate avea ca rezultat o emisie totală de zgomot mult mai mare (până la 15 dB) decât valorile emisiilor de zgomot declarate.

Așezați covorașe grele flexibile de amortizare sau alte materiale asemănătoare pe astfel de piese de prelucrat pentru a le împiedica să emită sunete.

Luăți în considerare creșterea emisiilor de zgomot, atât pentru evaluarea riscului expunerii la zgomot, cât și pentru selectarea unui echipament de protecție a auzului adecvat.

Vibrații

Valoarea totală a vibrațiilor (suma vectorilor tri-axiali) determinată conform EN62841-2-3:

Mod de lucru: rectificare plană cu mâner lateral normal

Model	Emisie de vibrații ($a_{h,AG}$): (m/s^2)	Marjă de eroare (K): (m/s^2)
DGA406	4,5	1,5
DGA456	6,5	1,5
DGA506	6,5	1,5

Mod de lucru: rectificare plană cu mâner lateral contra vibrațiilor

Model	Emisie de vibrații ($a_{hr, AG}$) : (m/s ²)	Marjă de eroare (K): (m/s ²)
DGA406	4,0	1,5
DGA456	6,0	1,5
DGA506	6,0	1,5

Mod de lucru: șlefuire cu disc cu mâner lateral normal

Model	Emisie de vibrații ($a_{hr, DS}$) : (m/s ²)	Marjă de eroare (K): (m/s ²)
DGA406	2,5 m/s ² sau mai puțin	1,5
DGA456	2,5 m/s ² sau mai puțin	1,5
DGA506	2,5 m/s ² sau mai puțin	1,5

Mod de lucru: șlefuire cu disc cu mâner lateral contra vibrațiilor

Model	Emisie de vibrații ($a_{hr, DS}$) : (m/s ²)	Marjă de eroare (K): (m/s ²)
DGA406	2,5 m/s ² sau mai puțin	1,5
DGA456	2,5 m/s ² sau mai puțin	1,5
DGA506	2,5 m/s ² sau mai puțin	1,5

NOTĂ: Valoarea (valorile) totală(e) a (ale) nivelului de vibrații declarat a (au) fost măsurată(e) în conformitate cu o metodă de test standard și poate (pot) fi utilizată(e) pentru compararea unei unelte cu alta.

NOTĂ: Valoarea (valorile) totală(e) a (ale) nivelului de vibrații declarat poate (pot) fi, de asemenea, utilizată(e) într-o evaluare preliminară a expunerii.

⚠️ AVERTIZARE: Nivelul de vibrații în timpul utilizării efective a unelei electrice poate diferi de valoarea (valorile) nivelului declarat, în funcție de modul în care uneltea este utilizată, în special ce fel de piesă este prelucrată.

⚠️ AVERTIZARE: Asigurați-vă că identificați măsurile de siguranță pentru a proteja operatorul, acestea fiind bazate pe o estimare a expunerii în condiții reale de utilizare (luând în considerare toate părțile ciclului de operare, precum timpii în care uneltea a fost oprită, sau a funcționat în gol, pe lângă timpul de declanșare).

⚠️ AVERTIZARE: Nivelul de vibrații declarat este utilizat pentru aplicațiile principale ale mașinii electrice. Totuși, dacă mașina electrică este utilizată pentru alte aplicații, valoarea vibrațiilor emise poate fi diferită.

Declarație de conformitate CE

Numai pentru țările europene

Declarația de conformitate CE este inclusă ca Anexa A în acest manual de instrucțiuni.

AVERTIZĂRI DE SIGURANȚĂ

Avertismente generale de siguranță pentru mașinile electrice

⚠️ AVERTIZARE Citiți toate avertizările privind siguranța, instrucțiunile, ilustrațiile și specificațiile furnizate cu această mașină electrică. Nerespectarea integrală a instrucțiunilor de mai jos poate provoca electrocutări, incendii și/sau accidentări grave.

Păstrați toate avertismentele și instrucțiunile pentru consultări ulterioare.

Termenul „mașină electrică” din avertizări se referă la mașinile dumneavoastră electrice acționate de la rețea (prin cablu) sau cu acumulator (fără cablu).

Avertismente privind siguranța pentru polizorul cu acumulator

Avertismente privind siguranța comune operațiilor de polizare, șlefuire, curățare cu perie de sârmă sau rețezare:

- 1. Această mașină electrică este destinată să funcționeze ca polizor, șlefuitor, perie de sârmă, mașină de găurit sau mașină de rețezat. Citiți toate avertizările privind siguranța, instrucțiunile, ilustrațiile și specificațiile furnizate cu această mașină electrică. Nerespectarea integrală a instrucțiunilor de mai jos poate provoca electrocutări, incendii și/sau accidentări grave.**
- 2. Cu această mașină electrică nu se efectuează operații cum ar fi lustruirea.** Operațiile pentru care această mașină electrică nu a fost concepută pot fi periculoase și pot provoca vătămări corporale.
- 3. Nu modificați această mașină electrică pentru a funcționa într-un mod care nu este special conceput și specificat de producătorul mașinii.** O astfel de modificare poate duce la pierderea controlului și poate provoca accidentări grave.
- 4. Nu folosiți accesorii care nu sunt special concepute și specificate de producătorul mașinii.** Simplul fapt că accesoriul poate fi atașat la mașina dumneavoastră electrică nu asigură funcționarea în condiții de siguranță.

5. **Turația nominală a accesoriului trebuie să fie cel puțin egală cu turația maximă indicată pe mașina electrică.** Accesoriile utilizate la o turație superioară celei nominale se pot sparge și împrăștia.
 6. **Diametrul exterior și grosimea accesoriului dumneavoastră trebuie să se înscrie în capacitatea nominală a mașinii electrice.** Accesoriile de dimensiuni incorecte nu pot fi protejate sau controlate în mod corespunzător.
 7. **Dimensiunile accesoriului de montat trebuie să corespundă cu dimensiunile uneltelor de montaj ale mașinii electrice.** Accesoriile care nu se potrivesc cu uneltele de montaj ale mașinii electrice vor funcționa dezechilibrat, vor vibra excesiv și pot cauza pierderea controlului.
 8. **Nu utilizați un accesoriu deteriorat. Înainte de fiecare utilizări inspectați accesoriile, cum ar fi roțile abrazive, în privința sfărâmurilor și fisurilor, talerele suport în privința fisurilor, rupturii sau uzurii excesive, peria de sărmă în privința firelor slăbite sau plesnite. Dacă scăpați pe jos mașina electrică sau accesoriul, verificați dacă prezintă deteriorări sau instalați un accesoriu intact. După inspectarea și instalarea unui accesoriu, poziționați-vă, împreună cu persoanele aflate în zonă, departe de planul accesoriului rotativ și porniți mașina electrică la viteza maximă de mers în gol, timp de un minut.** Accesoriile deteriorate se vor sparge în mod normal pe durata acestui test.
 9. **Purtați echipamentul individual de protecție. În funcție de aplicație, folosiți o mască de protecție, ochelari de protecție tip mască sau ochelari de protecție. Dacă este cazul, purtați o mască de protecție contra prafului, mijloace de protecție a auzului, mănuși și un sort de lucru care poate opri fragmentele mici abrazive sau fragmentele piesei de prelucrat.** Mijloacele de protecție a ochilor trebuie să fie capabile să oprească resturile proiectate în aer generate de diverse aplicații. Maska de protecție contra prafului sau maska de protecție respiratorie trebuie să poată filtra particulele generate în timpul aplicației respective. Expunerea prelungită la zgomot foarte puternic poate provoca pierderea auzului.
 10. **Țineți persoanele aflate în zonă la o distanță sigură față de zona de lucru. Orice persoană care pătrunde în zona de lucru trebuie să poarte echipament individual de protecție.** Fragmentele piesei prelucrate sau ale unui accesoriu spart pot fi proiectate în jur, cauzând vătămări corporale în zona imediat adiacentă zonei de lucru.
 11. **Țineți mașina electrică numai de suprafețele de prindere izolate atunci când executați o operație la care unealta de tăiere poate intra în contact cu cabluri ascunse.** Contactul cu un cablu aflat sub tensiune va pune sub tensiune și componentele metalice neizolate ale mașinii și ar putea conduce la electrocutarea operatorului.
 12. **Nu așezați niciodată mașina electrică înainte de oprirea completă a accesoriului.** Accesoriul aflat în rotație ar putea să prindă suprafața și să tragă de mașina electrică fără a dumneavoastră să o puteți controla.
 13. **Nu lăsați mașina electrică în funcțiune în timp ce o transportați lângă corpul dumneavoastră.** Contactul accidental cu accesoriul aflat în rotație vă poate agăța îmbrăcămintea, trăgând accesoriul spre corpul dumneavoastră.
 14. **Curățați în mod regulat fantele de ventilație ale mașinii electrice.** Ventilatorul motorului va aspira praful în interiorul carcasei, iar acumulările excesive de pulberi metalice pot prezenta pericol de electrocutare.
 15. **Nu folosiți mașina electrică în apropierea materialelor inflamabile.** Scânteile pot aprinde aceste materiale.
 16. **Nu folosiți accesorii care necesită agenți de răcire lichizi.** Folosirea apei sau a lichidelor de răcire poate cauza electrocutări sau șocuri de tensiune.
- Reculul și avertismentele aferente:**
Reculul este o reacție bruscă la înțepenirea sau agățarea unui disc, a unui taler suport, a unei perii sau a unui alt accesoriu aflat în rotație. Înțepenirea sau agățarea provoacă o oprire bruscă a accesoriului aflat în rotație, ceea ce forțează mașina scăpată de sub control în direcția opusă celei de rotație a accesoriului în punctul de contact.
De exemplu, dacă o roată abrazivă se înțepeneste sau se agăță în piesa de prelucrat, muchia roții care pătrunde în punctul de blocare poate săpa în suprafața materialului, cauzând urcarea sau proiectarea înapoi a roții. Discul poate sări către utilizator sau în partea opusă acestuia, în funcție de direcția de mișcare a discului în punctul de blocare. De asemenea, roțile abrazive se pot rupe în aceste condiții.
Reculul este rezultatul utilizării incorecte a mașinii electrice și/sau al procedeeelor sau condițiilor de lucru necorespunzătoare, putând fi evitat prin adoptarea unor măsuri de precauție adecvate prezentate în continuare.
1. **Țineți ferm mașina electrică cu ambele mâini și poziționați-vă corpul și brațele astfel încât să contracarați forțele de recul. Folosiți întotdeauna mânerul auxiliar, dacă există, pentru a contracara în mod optim reculurile sau momentul de torsiune reactiv din faza de pornire.** Operatorul poate contracara momentele de torsiune reactive sau forțele de recul, dacă își ia măsuri de precauție adecvate.
 2. **Nu vă poziționați niciodată mâna în apropierea accesoriului aflat în rotație.** Accesoriul poate recula peste mâna dvs.
 3. **Nu vă poziționați corpul în zona în care se va deplasa mașina electrică în cazul unui recul.** Reculul va împinge unealta în direcția opusă rotației discului în punctul de agățare.
 4. **Procedați cu deosebită atenție atunci când efectuați colțuri, muchii ascuțite etc. Evitați agățările și salturile accesoriului.** Colțurile, muchiile ascuțite sau salturile au tendința de a agăța accesoriul aflat în rotație și conduc la pierderea controlului sau la apariția reculului.
 5. **Nu atașați un lanț de ferăstrău, o pânză pentru scobirea lemnului, un disc diamantat segmentat cu un spațiu periferic mai mare de 10 mm sau o pânză de ferăstrău dințată.** Astfel de pânze pot crea reculul frecvente și pierderea controlului.

Avertismente privind siguranța specifică operațiilor de polizare și rețezare:

- 1. Utilizați numai tipurile de discuri specificate pentru mașina dumneavoastră electrică și apărătorile specifice proiectate pentru discul selectat.** Discurile pentru care mașina electrică nu a fost proiectată nu pot fi protejate adecvat și sunt nesigure.
- 2. Suprafața de polizare a discurilor cu centru depresat trebuie să fie montată sub planul marginii apărătorii.** Un disc montat necorespunzător care iese prin planul marginii apărătoarei nu poate fi protejat în mod adecvat.
- 3. Apărătoarea trebuie atașată ferm la mașina electrică și poziționată pentru siguranță maximă, astfel încât cea mai mică porțiune a discului să fie expusă în direcția operatorului.** Apărătoarea ajută la protejarea operatorului de fragmentele discului spart, de contactul accidental cu discul și de scânteile care ar putea aprinde îmbrăcămintea.
- 4. Discurile trebuie utilizate numai pentru aplicațiile specificate. De exemplu: nu polizați cu părțile laterale ale discului abraziv de rețezat.** Discurile abrazive de rețezat sunt create pentru șlefuire periferică, iar forțele aplicate pe părțile laterale ale discurilor pot cauza spargerea acestora.
- 5. Folosiți întotdeauna flanșe de disc intacte, cu dimensiuni și formă adecvate pentru discul folosit.** Flanșele de disc adecvate susțin discul, reducând astfel posibilitatea de rupere a acestuia. Flanșele pentru discurile abrazive de rețezat pot fi diferite de flanșele discului pentru polizare.
- 6. Nu folosiți discuri parțial uzate de la mașini electrice mai mari.** Un disc destinat unei mașini electrice mai mari nu este adecvat pentru viteza mai mare a unei mașini mai mici și se poate sparge.
- 7. Pentru discurile cu dublă utilizare, utilizați întotdeauna apărătoarea corectă pentru aplicația efectuată.** Folosirea unei apărătoari incorecte poate să nu ofere nivelul dorit de protecție, ceea ce ar putea duce la vătămări grave.

Avertismente suplimentare privind siguranța specifică operațiilor de rețezare:

- 1. Nu „blocați” discul abraziv de rețezat și nici nu aplicați o presiune excesivă. Nu încercați să executați o adâncime excesivă a tăieturii.** Supratensionarea discului mărește sarcina și susceptibilitatea de a torsiona sau de a înțepeni discul în tăietură și posibilitatea de recul sau de spargere a discului.
- 2. Nu vă poziționați corpul pe aceeași linie și în spatele discului aflat în rotație.** Atunci când discul, la punctul de operare, se mișcă la distanță de corpul dumneavoastră, reculul posibil poate împinge discul care se învârtă și mașina electrică direct spre dumneavoastră.
- 3. Atunci când discul este înțepenit sau când este întreruptă o tăiere din orice motiv, opriți mașina electrică și țineți-o nemișcată până când discul se oprește complet. Nu încercați niciodată să scoateți discul abraziv de rețezat din tăietură în timp ce discul este în mișcare; în caz contrar, poate apărea reculul. Investigați și efectuați acțiunile corective pentru a elimina cauza înțepenirii discului.**

- 4. Nu reporniți operația de tăiere în piesa de prelucrat. Lăsați discul să ajungă la viteza maximă și pătrundeți din nou cu atenție în tăietură.** Discul se poate înțepeni, se poate deplasa în sus sau poate provoca un recul dacă mașina electrică este repornită în piesa de prelucrat.
- 5. Sprijiniți panourile sau orice piesă de prelucrat de dimensiuni mari pentru a reduce la minimum riscul de înțepenire și de recul al discului.** Piesele de prelucrat mari tind să se încovoale sub propria greutate. Sub piesa de prelucrat trebuie amplasate suporturi lângă linia de tăiere și lângă marginea piesei de prelucrat, pe ambele părți ale discului.
- 6. Acordați o atenție sporită atunci când executați o „decupare prin plonjare” în pereții existenți sau în alte zone mascate.** Discul poate tăia conducte de gaz sau de apă, cabluri electrice sau obiecte care pot provoca un recul.
- 7. Nu încercați să efectuați o tăiere curbă.** Supratensionarea discului mărește sarcina și susceptibilitatea de a torsiona sau de a înțepeni discul în tăietură și posibilitatea de recul sau de spargere a discului, care ar putea duce la accidente grave.
- 8. Înainte de a utiliza un disc diamantat segmentat, asigurați-vă că discul diamantat are un spațiu periferic între segmente de 10 mm sau mai puțin, doar cu un unghi de degajare negativ.**

Avertismente privind siguranța specifică operațiilor de șlefuire:

- 1. Utilizați hârtie de șlefuit de dimensiuni adecvate. Respectați recomandările producătorilor, atunci când selectați hârtia de șlefuit.** Hârtia de șlefuit prea mare extinsă mult în afara plăcuței de șlefuire prezintă pericol de sfâșiere și poate cauza înțepenirea, sfâșierea discului sau reculul.

Avertismente privind siguranța specifică operațiilor de curățare cu peria de sârmă:

- 1. Țineți cont de faptul că firele de sârmă sunt aruncate de perie chiar și în timpul unei operații obișnuite. Nu supratensionați firele prin aplicarea unei sarcini excesive periei.** Firele de sârmă pot penetra ușor îmbrăcămintea subțire și/sau pielea.
- 2. Dacă se specifică utilizarea unei apărătoari pentru periere, nu permiteți nicio interferență a discului sau periei din sârmă cu apărătoarea.** Discul sau peria din sârmă își pot mări diametrul din cauza sarcinilor de lucru și a forțelor centrifugale.

Avertismente suplimentare privind siguranța:

- 1. Atunci când folosiți discuri cu centru adâncit, asigurați-vă că folosiți numai discuri armate cu fibră de sticlă.**
- 2. NU UTILIZAȚI NICIODATĂ discuri abrazive în formă de oală cu acest polizor.** Acest polizor nu este conceput pentru aceste tipuri de discuri, iar utilizarea unui astfel de produs poate duce la accidente grave.
- 3. Fiți atenți să nu deteriorați arborele, flanșa (în special suprafața de montaj) sau contrapiulița. Deteriorarea acestor piese poate conduce la ruperea discului.**

4. Asigurați-vă că discul nu intră în contact cu piesa de prelucrat înainte de a apăsa comutatorul.
5. Înainte de utilizarea mașinii pe piesa propriu-zisă, lăsați-o să funcționeze în gol pentru un timp. Încercați să identificați orice vibrație sau oscilație care ar putea indica o instalare necorespunzătoare sau un disc neechilibrat.
6. Folosiți fața specificată a discului pentru a executa polizarea.
7. Nu lăsați mașina în funcțiune. Folosiți mașina numai când o țineți cu mâinile.
8. Nu atingeți piesa prelucrată imediat după executarea lucrării; aceasta poate fi extrem de fierbinte și poate provoca arsuri ale pielii.
9. Nu atingeți accesoriile imediat după executarea lucrării; acestea pot fi extrem de fierbinți și pot provoca arsuri ale pielii.
10. Respectați instrucțiunile producătorului cu privire la montarea și utilizarea corectă a discurilor. Manipulați și depozitați cu atenție discurile.
11. Nu folosiți reduții cu mufă sau adaptoare separate pentru a adapta roțile abrazive cu gaură mare.
12. Folosiți numai flanșele specificate pentru această mașină.
13. Pentru mașinile destinate a fi echipate cu disc cu gaură filetată, asigurați-vă că filetul discului este suficient de lung pentru lungimea arborelui.
14. Verificați ca piesa de prelucrat să fie sprijinită corect.
15. Rețineți că discul continuă să se rotească după oprirea mașinii.
16. Dacă locul de muncă este extrem de cald și umed, sau foarte poluat cu pulbere conductoare, folosiți un întrerupător de scurtcircuitare (30 mA) pentru a asigura protecția utilizatorului.
17. Nu folosiți mașina pe materiale care conțin azbest.
18. Când folosiți un disc abraziv de retezat, lucrați întotdeauna cu apărătoarea de disc cu colector de praf, dacă este impusă de reglementările naționale.
19. Discurile de retezat nu trebuie supuse niciunei presiuni laterale.
20. Nu purtați mănuși de lucru din pânză în timpul operației. Fibrele din mănușile de pânză pot intra în mașină, ducând la blocarea mașinii.
21. Înainte de utilizare, asigurați-vă că nu există obiecte îngropate în piesa de lucru, cum ar fi țevi electrice, conducte de apă sau gaz. În caz contrar, se poate produce un șoc electric, o pierdere de energie electrică sau o scurgere de gaze.
22. Dacă pe disc este atașată o șaibă compresibilă, nu o îndepărtați. Diametrul șaibei compresibile trebuie să fie mai mare decât contrapiulița, flanșa exterioară și flanșa interioară.
23. Înainte de a instala un disc abraziv, verificați întotdeauna ca șaiba compresibilă să nu prezinte anomalii, cum ar fi așchii sau crăpături.
24. Strângeți corect contrapiulița. Strângerea excesivă a discului poate provoca ruperea, iar strângerea insuficientă poate provoca trepidaiții.

PĂSTRAȚI ACESTE INSTRUCȚIUNI.

AVERTIZARE: NU permiteți comodității și familiarizării cu produsul (obținute prin utilizare repetată) să înlocuiască respectarea strictă a normelor de securitate pentru acest produs. **FOLOSIREA INCORECTĂ** sau nerespectarea normelor de securitate din acest manual de instrucțiuni poate provoca vătămări corporale grave.

Instrucțiuni importante privind siguranța pentru cartușul acumulatorului

1. Înainte de a folosi cartușul acumulatorului, citiți toate instrucțiunile și atenționările de pe (1) încărcătorul acumulatorului, (2) acumulator și (3) produsul care folosește acumulatorul.
2. Nu dezasamblați și nu interveniți asupra cartușului acumulatorului. Acest lucru poate cauza incendii, căldură excesivă sau explozii.
3. Dacă timpul de funcționare s-a redus excesiv, întrerupeți imediat funcționarea. Aceasta poate prezenta risc de supraîncălzire, posibile arsuri și chiar explozie.
4. Dacă electrolitul pătrunde în ochi, clătiți bine ochii cu apă curată și consultați imediat un medic. Există risc de orbire.
5. Nu scurtcircuitați cartușul acumulatorului:
 - (1) Nu atingeți bornele cu niciun material conductor.
 - (2) Evitați depozitarea cartușului acumulatorului la un loc cu alte obiecte metalice cum ar fi cuie, monede etc.
 - (3) Nu expuneți cartușul acumulatorului la apă sau ploaie.

Un scurtcircuit al acumulatorului poate provoca un flux puternic de curent electric, supraîncălzire, posibile arsuri și chiar defectarea mașinii.
6. Nu depozitați și nu utilizați mașina și cartușul acumulatorului în locuri în care temperatura poate atinge sau depăși 50 °C (122 °F).
7. Nu incinerati cartușul acumulatorului chiar dacă acesta este grav deteriorat sau complet uzat. Cartușul acumulatorului poate exploda în foc.
8. Nu introduceți cuie în cartușul acumulatorului, nu îl tăiați, striviți, aruncați sau scăpați și nu îl loviți cu un obiect dur. Astfel de acțiuni pot provoca incendii, căldură excesivă sau explozii.
9. Nu utilizați un acumulator deteriorat.
10. Acumulatorii Li-Ion încorporați se supun cerințelor Legislației privind substanțele periculoase. Pentru transporturi comerciale, efectuate de exemplu de către părți terțe, expeditori, trebuie respectate cerințele speciale de ambalare și etichetare. Pentru pregătirea articolului care urmează să fie expedit, este necesară consultarea unui expert în materiale periculoase. Vă rugăm să respectați, de asemenea, reglementările naționale, care pot fi mai detaliate.

Izolați sau acoperiți contactele deschise și împachetați acumulatorul în așa fel încât să nu se poată mișca în ambalaj.

11. **Atunci când eliminați la deșeuri cartușul acumulatorului, scoateți-l din mașină și eliminați-l într-un loc sigur. Respectați normele naționale privind eliminarea la deșeuri a acumulatorului.**
12. **Utilizați acumulatorii numai cu produsele specificate de Makita. Instalarea acumulatorilor în produse neconforme poate cauza incendii, căldură excesivă, explozii sau scurgeri de electrolit.**
13. **Dacă mașina nu este utilizată o perioadă lungă de timp, acumulatorul trebuie scos din acesta.**
14. **În timpul utilizării și după aceea, cartușul acumulatorului se poate încălzi, ceea ce poate cauza arsuri sau arsuri la temperaturi scăzute. Fiți atenți la manipularea cartușelor de acumulator atunci când sunt fierbinți.**
15. **Nu atingeți borna mașinii imediat după utilizare, întrucât se poate încălzi foarte tare și poate provoca arsuri.**
16. **Nu lăsați să pătrundă așchii, praf sau pământ în borne, în orificii și în canelurile cartușului acumulatorului. Acest lucru poate provoca încălzirea, aprinderea, explozia și defectarea mașinii sau a cartușului acumulatorului, cauzând arsuri sau vătămări corporale.**
17. **Nu utilizați cartușul acumulatorului în apropierea liniilor electrice de înaltă tensiune, cu excepția cazului în care mașina suportă utilizarea în apropierea liniilor electrice de înaltă tensiune. Acest lucru poate duce la funcționarea necorespunzătoare sau la defectarea mașinii sau a cartușului acumulatorului.**
18. **Țineți acumulatorul la distanță de copii.**

PĂSTRAȚI ACESTE INSTRUCȚIUNI.

⚠ATENȚIE: Folosiți numai acumulatori Makita originali. Acumulatorii Makita care nu sunt originali și acumulatorii care au suferit modificări se pot aprinde, provocând incendii, leziuni corporale și daune. De asemenea, anulează garanția oferită de Makita pentru unealta și încărcătorul Makita.

Sfaturi pentru obținerea unei durate maxime de exploatare a acumulatorului

1. **Încărcați cartușul acumulatorului înainte de a se descărca complet. Întrerupeți întotdeauna funcționarea mașinii și încărcați cartușul acumulatorului când observați o scădere a puterii mașinii.**
2. **Nu reîncărcați niciodată un acumulator complet încărcat. Suprîncărcarea va scurta durata de exploatare a acumulatorului.**
3. **Încărcați cartușul acumulatorului la temperatura camerei, între 10 °C - 40 °C (50 °F - 104 °F). Lăsați un acumulator fierbinte să se răcească înainte de a-l încărca.**
4. **Atunci când nu utilizați cartușul acumulatorului, scoateți-l din mașină sau din încărcător.**
5. **Încărcați cartușul acumulatorului în cazul în care nu a fost utilizat pe o perioadă mai lungă (mai mult de șase luni).**

DESCRIEREA FUNCȚIILOR

⚠ATENȚIE: Asigurați-vă întotdeauna că mașina este oprită și cartușul acumulatorului este scos înainte de a ajusta sau verifica funcționarea mașinii.

Instalarea sau scoaterea cartușului acumulatorului

⚠ATENȚIE: Opriți întotdeauna mașina înainte de montarea sau demontarea cartușului de acumulator.

⚠ATENȚIE: Țineți ferm mașina și cartușul acumulatorului la montarea sau demontarea cartușului. În cazul în care nu țineți ferm mașina și cartușul de acumulator, acestea vă pot aluneca din mâini, rezultând defectarea mașinii și cartușului de acumulator, precum și în accidentări personale.

► Fig.1: 1. Indicator roșu 2. Buton 3. Cartușul acumulatorului

Pentru a scoate cartușul acumulatorului, glisați-l din mașină în timp ce glisați butonul de pe partea frontală a cartușului.

Pentru a monta cartușul acumulatorului, aliniați limba de pe cartușul acumulatorului cu canelura din carcasă și introduceți-l în locaș. Introduceți-l complet, până când se înclinetează în locaș. Dacă vedeți indicatorul roșu, astfel cum se arată în imagine, acesta nu este blocat complet.

⚠ATENȚIE: Instalați întotdeauna cartușul acumulatorului complet, până când indicatorul roșu nu mai este vizibil. În caz contrar, acesta poate cădea accidental din mașină provocând rănirea dumneavoastră sau a persoanelor din jur.

⚠ATENȚIE: Nu forțați cartușul acumulatorului la montare. Dacă acesta nu glisează ușor, înseamnă că a fost introdus incorect.

Indicarea capacității rămase a acumulatorului

Numai pentru cartușe de acumulator cu indicator

► Fig.2: 1. Lămpi indicatoare 2. Buton de verificare

Apăsăți butonul de verificare de pe cartușul acumulatorului, astfel încât să se indice capacitățile rămase ale acumulatorului. Lămpile indicatorului vor lumina timp de câteva secunde.

Lămpi indicatoare			Capacitate rămasă
Iluminat	Oprit	Iluminare intermitentă	
■	□	▨	între 75% și 100%
■ ■ ■ ■	□	□	între 50% și 75%
■ ■	□ □	□ □	între 25% și 50%
■	□ □ □ □	□ □ □ □	între 0% și 25%
▨	□ □ □ □	□ □ □ □	Încărcați acumulatorul.
■ ■ □ □	□ □	■ ■	Este posibil ca acumulatorul să fie defect.

NOTĂ: În funcție de condițiile de utilizare și temperatura ambientală, indicația poate fi ușor diferită de capacitatea reală.

NOTĂ: Prima lampă indicatoare (extremitatea stângă) va lumina intermitent când sistemul de protecție a acumulatorului funcționează.

Indicarea capacității rămase a acumulatorului

Diferă în funcție de țară

Când porniți mașina, indicatorul de acumulator prezintă capacitatea rămasă a acumulatorului.

► **Fig.3: 1.** Indicator acumulator

Capacitatea rămasă a acumulatorului este indicată conform tabelului următor.

Stare indicator acumulator			Capacitatea rămasă a acumulatorului
Pornit	Oprit	Iluminare intermitentă	
■	□	▨	între 50% și 100%
			între 20% și 50%
			între 0% și 20%
			Încărcați acumulatorul

Sistem de protecție mașină/acumulator

Mașina este prevăzută cu un sistem de protecție mașină/acumulator. Acest sistem întrerupe automat alimentarea motorului pentru a extinde durata de funcționare a mașinii și acumulatorului. Mașina se va opri automat în timpul funcționării dacă mașina sau acumulatorul se află într-una din situațiile următoare:

Protecție la suprasarcină

Când mașina este utilizată într-un mod care duce la un consum exagerat de curent, mașina se va opri automat, fără nicio indicație. În această situație, opriți mașina și aplicația care a dus la suprasolicitarea mașinii. Apoi reporniți mașina.

Protecție la supraîncălzire

Când mașina este supraîncălzită, mașina se oprește automat, iar indicatorul de acumulator indică starea următoare. În această situație, lăsați mașina să se răcească înainte de a o reporni.

Pornit	Iluminare intermitentă

Dacă mașina nu pornește, acumulatorul poate fi supraîncălzit. În această situație, lăsați acumulatorul să se răcească înainte de a porni din nou mașina.

Protecție la supradescărcare

Când capacitatea acumulatorului scade, unealta se oprește automat. În acest caz, scoateți acumulatorul din mașină și încărcați-l.

Eliberare blocaj de protecție

Când sistemul de protecție funcționează în mod repetat, mașina este blocată, iar indicatorul de acumulator afișează starea următoare.

În această situație, mașina nu pornește, chiar dacă este oprită și repornită. Pentru a elibera blocajul de protecție, scoateți acumulatorul, poziționați-l pe încărcătorul de acumulator și așteptați finalizarea încărcării.

Pornit	Oprit	Iluminare intermitentă

Măsurile de protecție împotriva altor cauze

Sistemul de protecție este, de asemenea, conceput pentru alte cauze care ar putea deteriora mașina și permite mașinii să se oprească automat. Parcurgeți toți pașii următori pentru a elimina cauzele, atunci când mașina a fost oprită temporar sau a fost scoasă din funcțiune.

1. Opriti mașina, apoi porniți-o din nou pentru a reporni.
2. Încărcați acumulatorul (acumulatorii) sau înlocuiți-l (înlocuiți-i) cu un acumulator (acumulatori) încărcat (încărcați).
3. Lăsați mașina și acumulatorul (acumulatorii) să se răcească.

Dacă nu se poate observa nicio îmbunătățire prin resetarea sistemului de protecție, contactați centrul local de service Makita.

Pârghie de blocare a axului

⚠️ AVERTIZARE: Nu acționați niciodată pârghia de blocare a axului în timpul mișcării arborelui.

Acest lucru poate provoca vătămări grave sau deteriorarea mașinii.

Apăsăți pârghia de blocare a axului pentru a preveni rotirea arborelui atunci când montați sau demontați accesoriul.

► Fig.4: 1. Pârghie de blocare a axului

Acționarea întrerupătorului

⚠️ ATENȚIE: Înainte de montarea cartușului de acumulator în mașină, verificați întotdeauna funcționarea corectă a comutatorului glisant și revenirea acestuia în poziția „OFF” (oprit) atunci când se apasă partea din spate a comutatorului glisant.

⚠️ ATENȚIE: Comutatorul poate fi blocat în poziția „ON” (pornire) pentru confortul utilizatorului în timpul utilizării prelungite. Acordați atenție atunci când blocați mașina în poziția „ON” (pornire) și țineți mașina ferm.

Pentru a porni mașina, apăsați în jos capătul posterior al comutatorului glisant și apoi glisați-l spre poziția „I (ON)” (pornit). Pentru funcționare continuă, apăsați în jos capătul frontal al comutatorului glisant pentru a-l bloca.



► Fig.5: 1. Comutator glisant

Pentru a opri mașina, apăsați în jos capătul posterior al comutatorului glisant astfel încât să revină în poziția „O (OFF)” (oprit).

► Fig.6: 1. Comutator glisant

Funcție de schimbare automată a turației

► Fig.7: 1. Indicator mod

Stare indicator mod	Mod de operare
	Mod turație ridicată
	Mod cuplu ridicat

Această mașină are un „mod de turație ridicată” și un „mod de cuplu ridicat”. Schimbă automat modul de operare în funcție de sarcina de lucru. Când indicatorul de mod luminează în timpul operării, mașina este în modul de cuplu ridicat.

Funcție de prevenire a repornirii accidentale

Când se montează cartușul acumulatorului în timp ce comutatorul este în poziția „I (ON)” (pornit), mașina nu pornește. Pentru a porni mașina, opriți comutatorul și porniți-l din nou.

Tehnologie de detectare a reculului activ

Mașina detectează electronic situații în care roata sau accesoriul pot prezenta risc de prindere. În această situație, mașina se închide automat pentru a împiedica rotirea suplimentară a arborelui (aceasta nu împiedică returul). Pentru a reporni mașina, mai întâi opriți-o, eliminați cauza scăderii bruște a vitezei de rotație și apoi porniți-o.

Funcție de pornire lentă

Funcția de pornire lentă atenuează șocul de pornire.

Frână electrică

Frâna electrică este activată după oprirea mașinii. Frâna nu funcționează atunci când sursa de alimentare este oprită, de exemplu atunci când acumulatorul este îndepărtat accidental, cu întrerupătorul pornit în continuare.

ASAMBLARE

⚠️ ATENȚIE: Asigurați-vă întotdeauna că mașina este oprită și cartușul acumulatorului este scos înainte de a ajusta sau verifica funcționarea mașinii.

Instalarea mânerului lateral (mâner)

⚠️ ATENȚIE: Asigurați-vă că mânerul lateral este bine fixat înainte de a pune mașina în funcțiune.

Înșurubați ferm mânerul lateral la mașină în poziția prezentată în figură.

► Fig.8

Instalarea sau demontarea apărătorii pentru disc (Pentru disc cu centru depresat, disc lamelar, disc flexibil, perie de disc din sârmă/ disc abraziv de retezat, disc de diamant)

⚠️ AVERTIZARE: Atunci când utilizați un disc cu centru depresat, un disc lamelar, un disc flexibil sau o perie de disc din sârmă, apărătoarea discului trebuie montată pe mașină astfel încât partea închisă a apărătorii să fie întotdeauna orientată către operator.

⚠️ AVERTIZARE: Atunci când utilizați un disc abraziv pentru retezat/disc de diamant, asigurați-vă că utilizați doar apărătoarele pentru disc proiectate special pentru a fi utilizate împreună cu discuri abrazive de retezat.

Pentru mașinile cu apărătoare pentru disc cu șurub de blocare

Montați apărătoarea pentru disc cu partea proeminentă pe banda apărătorii pentru disc aliniată cu fantele de pe lagăr. Apoi rotiți apărătoarea discului în așa fel încât să protejeze operatorul în timpul lucrului. Asigurați-vă că ați strâns ferm șurubul.

Pentru a demonta apărătoarea discului, executați în ordine inversă operațiile de montare.

► **Fig.9:** 1. Apărătoarea discului 2. Lagăr 3. Șurub

Pentru mașinile cu apărătoare pentru disc cu pârghie de strângere

Slăbiți șurubul și apoi trageți pârghia în direcția săgeții. Montați apărătoarea pentru disc cu partea proeminentă pe banda apărătorii pentru disc aliniată cu fantele de pe lagăr. Apoi rotiți apărătoarea discului în așa fel încât să protejeze operatorul în timpul lucrului.

► **Fig.10:** 1. Apărătoarea discului 2. Lagăr 3. Șurub 4. Pârghie

Trageți pârghia în direcția săgeții. Apoi strângeți apărătoarea pentru disc cu ajutorul șurubului. Asigurați-vă că ați strâns ferm șurubul. Unghiul de reglare al apărătorii pentru disc poate fi reglat cu ajutorul pârghiei.

► **Fig.11:** 1. Șurub 2. Pârghie

Pentru a demonta apărătoarea discului, executați în ordine inversă operațiile de montare.

Accesorii cu clemă pentru apărătoarea discului de retezat

Accesorii opționale

NOTĂ: Pentru operațiunile de retezare, poate fi utilizat un accesoriu cu clemă pentru apărătoarea discului de retezat împreună cu apărătoarea discului (pentru discul abraziv).

Acesta nu este disponibil în unele țări.

► **Fig.12**

Montarea sau demontarea discului cu centru depresat sau discului lamelar

Accesorii opționale

⚠️ AVERTIZARE: Atunci când utilizați un disc cu centru depresat sau un disc lamelar, apărătoarea discului trebuie montată pe mașină astfel încât partea închisă a apărătorii să fie întotdeauna orientată către operator.

⚠️ AVERTIZARE: Asigurați-vă că piesa de montare a flanșei interioare se potrivește perfect în diametrul interior al discului cu centru depresat/discului lamelar. Montarea flanșei interioare pe partea incorectă poate duce la vibrații periculoase.

Montați flanșa interioară pe arbore.

Asigurați-vă că fixați partea crestată a flanșei interioare pe partea dreaptă de la baza arborelui.

Instalați discul cu centru depresat/discul lamelar pe flanșa interioară și înșurubați contrapiulița pe arbore.

► **Fig.13:** 1. Contrapiuliță 2. Disc cu centru depresat 3. Flanșă interioară 4. Piesă de montare

Pentru a strânge contrapiulița, apăsați puternic pârghia de blocare a axului astfel încât arborele să nu se poată roti, apoi folosiți cheia pentru contrapiuliță și strângeți ferm în sens orar.

► **Fig.14:** 1. Cheie pentru contrapiuliță 2. Pârghie de blocare a axului

Pentru a demonta discul, executați în ordine inversă operațiile de montare.

Montarea sau demontarea discului flexibil

Accesorii opționale

⚠️ AVERTIZARE: Utilizați întotdeauna apărătoarea furnizată când discul flexibil este montat pe mașină. Discul se poate sparge în timpul utilizării, iar apărătoarea ajută la reducerea riscului de vătămare.

► **Fig.15:** 1. Contrapiuliță 2. Disc flexibil 3. Taler suport 4. Flanșă interioară

Urmați instrucțiunile pentru discul cu centru depresat, dar utilizați, de asemenea, un taler suport peste disc.

Montarea sau demontarea discului abraziv

Accesorii opționale

NOTĂ: Folosiți accesoriile pentru polizor specificate în acest manual. Acestea trebuie achiziționate separat.

Pentru modelul de 100 mm (4")

► **Fig.16:** 1. Contrapiuliță de presare 2. Disc abraziv 3. Taler de cauciuc 4. Flanșă interioară

1. Montați flanșa interioară pe arbore.
 2. Montați talerul de cauciuc pe arbore.
 3. Instalați discul pe talerul de cauciuc și înșurubați contrapiulița de presare pe arbore.
 4. Fixați arborele cu pârghia de blocare a axului și strângeți fix contrapiulița de presare cu cheia pentru contrapiuliță.
- Pentru a demonta discul, executați în ordine inversă operațiile de instalare.

Pentru alt model decât cel de 100 mm (4")

► **Fig.17:** 1. Contrapiuliță de presare 2. Disc abraziv 3. Taler de cauciuc

1. Montați talerul de cauciuc pe arbore.
2. Instalați discul pe talerul de cauciuc și înșurubați contrapiulița de presare pe arbore.
3. Fixați arborele cu pârghia de blocare a axului și strângeți fix contrapiulița de presare cu cheia pentru contrapiuliță.

Pentru a demonta discul, executați în ordine inversă operațiile de instalare.

Instalarea sau scoaterea Ezynut

Accesorii opțional

Doar pentru mașini cu filet de arbore M14.

Montați flanșa interioară, roata abrazivă și Ezynut pe arbore, astfel încât sigla Makita de pe Ezynut să fie orientată spre exterior.

► **Fig.18:** 1. Ezynut 2. Roată abrazivă 3. Flanșă interioară 4. Arbore

Apăsăți ferm pârghia de blocare a axului și strângeți Ezynut rotind roata abrazivă în sens orar până la capăt.

► **Fig.19:** 1. Pârghie de blocare a axului

Pentru a slăbi Ezynut, rotiți inelul exterior al Ezynut în sens antiorar.

NOTĂ: Ezynut poate fi slăbit manual atât timp cât săgeata indică spre canelură. În caz contrar, pentru a o slăbi, este necesară o cheie pentru contrapiuliță. Introduceți un știft de la cheie într-o gaură și rotiți Ezynut în sens antiorar.

► **Fig.20:** 1. Săgeată 2. Canelură

► **Fig.21**

Montarea discului abraziv de retezat/ discului diamantat

Accesorii opțional

⚠️ AVERTIZARE: Atunci când utilizați un disc abraziv pentru retezat/disc de diamant, asigurați-vă că utilizați doar apărătoarele pentru disc proiectate special pentru a fi utilizate împreună cu discuri abrazive de retezat.

⚠️ AVERTIZARE: NU utilizați niciodată discul abraziv de retezat la polizarea laterală.

► **Fig.22:** 1. Contrapiuliță 2. Disc abraziv de retezat / disc de diamant 3. Flanșă interioară 4. Apărătoare pentru disc abraziv de retezat/disc de diamant

Pentru montare, urmați instrucțiunile pentru discul cu centru depresat.

Direcția de montare a contrapiuliței și a flanșei interioare variază în funcție de tipul și de grosimea discului. Consultați figurile următoare.

Pentru modelul de 100 mm (4")

La instalarea discului abraziv de retezat:

► **Fig.23:** 1. Contrapiuliță 2. Disc abraziv de retezat (mai subțire de 4 mm (5/32")) 3. Disc abraziv de retezat (4 mm (5/32")) sau mai gros 4. Flanșă interioară

La instalarea discului diamantat:

► **Fig.24:** 1. Contrapiuliță 2. Disc diamantat (mai subțire de 4 mm (5/32")) 3. Disc diamantat (4 mm (5/32")) sau mai subțire 4. Flanșă interioară

Pentru alt model decât cel de 100 mm (4")

La instalarea discului abraziv de retezat:

► **Fig.25:** 1. Contrapiuliță 2. Disc abraziv de retezat (mai subțire de 4 mm (5/32")) 3. Disc abraziv de retezat (4 mm (5/32")) sau mai gros 4. Flanșă interioară

La instalarea discului diamantat:

► **Fig.26:** 1. Contrapiuliță 2. Disc diamantat (mai subțire de 4 mm (5/32")) 3. Disc diamantat (4 mm (5/32")) sau mai subțire 4. Flanșă interioară

Montarea periei oală de sârmă

Accesorii opțional

⚠️ ATENȚIE: Nu utilizați o perie care este deteriorată sau neechilibrată. Utilizarea unei perii deteriorate poate crește potențialul de accidentare prin contact cu sârmele periei deteriorate.

Așezați mașina cu susul în jos pentru a permite accesul ușor la arbore.

Îndepărtați orice accesorii de pe arbore. Înfășurați peria oală de sârmă pe arbore și strângeți cu cheia furnizată.

► **Fig.27:** 1. Perie oală de sârmă

Montarea periei de disc din sârmă

Accesorii opțional

⚠️ ATENȚIE: Nu utilizați o perie de disc din sârmă care este deteriorată sau neechilibrată. Utilizarea unei perii de disc din sârmă deteriorate poate mări pericolul de accidentare prin contact cu sârmele deteriorate.

⚠️ ATENȚIE: Protejați-vă ÎNTOTDEAUNA față de periele de disc din sârmă, asigurându-vă că diametrul discului se încadrează în interiorul apărătorii. Discul se poate sparge în timpul utilizării, iar apărătoarea ajută la reducerea riscului de vătămare.

Așezați mașina cu susul în jos pentru a permite accesul ușor la arbore.

Îndepărtați orice accesorii de pe arbore. Înfășurați peria de disc din sârmă pe arbore și strângeți cu cheia furnizată.

► **Fig.28:** 1. Perie de disc din sârmă

Instalarea mașinii de găurit

Accesorii opționale

Așezați mașina cu susul în jos pentru a permite accesul ușor la arbore.

Îndepărtați toate accesoriile de pe arbore. Introduceți mașina de găurit pe arbore și strângeți-o cu cheia furnizată.

► Fig.29: 1. Mașină de găurit

Instalarea apărătorii de disc cu colector de praf pentru operațiile de polizare

Numai pentru modelul DGA456 / DGA506

Accesorii opționale

Cu accesoriile opționale, puteți utiliza această mașină pentru frezarea suprafețelor de beton.

ATENȚIE: Apărătoarea discului cu colector de praf a discului diamantat cotit este destinată doar frezării suprafețelor de beton cu un disc diamantat cotit. Nu utilizați această apărătoare cu alt accesoriu de tăiere sau în alt scop.

ATENȚIE: Înainte de utilizare, asigurați-vă că aspiratorul este conectat la mașină și este pornit.

Așezați mașina cu susul în jos și instalați apărătoarea de disc cu colector de praf.

Montați flanșa interioară pe arbore.

Montați discul diamantat tip cupă pe flanșa interioară și strângeți contrapiulița pe arbore.

► Fig.30: 1. Contrapiuliță 2. Disc diamantat tip cupă 3. Disc diamantat tip cupă cu butuc 4. Flanșă interioară 5. Apărătoare de disc cu colector de praf 6. Lagăr

NOTĂ: Pentru informații referitoare la modalitatea de montare a apărătorii de disc cu colector de praf, consultați manualul apărătorii de disc cu colector de praf.

Instalarea apărătorii de disc cu colector de praf pentru rețezare

Accesorii opționale

Cu accesoriile opționale, puteți utiliza această mașină pentru tăierea materialelor de piatră.

► Fig.31

NOTĂ: Pentru informații referitoare la modalitatea de montare a apărătorii de disc cu colector de praf, consultați manualul apărătorii de disc cu colector de praf.

OPERAREA

AVERTIZARE: Nu este niciodată necesară forțarea mașinii. Greutatea mașinii exercită o presiune adecvată. Forțarea și exercitarea unei presiuni excesive pot provoca ruperea periculoasă a discului.

AVERTIZARE: Înclocuiți ÎNTOTDEAUNA discul dacă scăpați mașina pe jos în timpul rectificării.

AVERTIZARE: Nu izbiți sau loviți NICIODATĂ discul de piesa prelucrată.

AVERTIZARE: Evitați izbiturile și salturile discului, în special când prelucrați colțuri, muchii ascuțite etc. Acestea pot provoca pierderea controlului și reculuri.

AVERTIZARE: Nu folosiți NICIODATĂ mașina cu discuri de tăiat lemne sau alte discuri de ferăstrău. Astfel de discuri folosite cu polizorul pot sări, ducând la pierderea controlului mașinii și la accidentări.

ATENȚIE: Nu porniți niciodată mașina atunci când aceasta se află în contact cu piesa de prelucrat, deoarece poate vătăma operatorul.

ATENȚIE: Purtați întotdeauna ochelari de protecție și o mască de protecție în timpul lucrului.

ATENȚIE: După terminarea operației, opriți întotdeauna mașina și așteptați ca discul să se oprească complet înainte de a așeza mașina.

ATENȚIE: Țineți ÎNTOTDEAUNA mașina ferm cu o mână pe carcasă și cu cealaltă pe mânerul lateral (mâner).

NOTĂ: Discul cu dublă utilizare poate fi utilizat atât pentru operații de polizare, cât și pentru operații de rețezare.

Consultați secțiunea „Operația de rectificare și șlefuire” pentru operația de polizare și consultați secțiunea „Funcționarea cu disc abraziv de rețezat/disc diamantat” pentru operația de rețezare.

Operația de rectificare și șlefuire

► Fig.32

Porniți mașina și apoi aplicați discul pe piesa de prelucrat.

În principiu, mențineți muchia discului la un unghi de circa 15° față de suprafața piesei de prelucrat.

Pe durata perioadei de rodaj a unui disc nou, nu prelucrați cu polizorul pe direcția înainte deoarece aceasta va tăia în piesa de prelucrat. După ce marginea discului a fost rotunjită prin utilizare, discul poate fi utilizat atât în direcția înainte, cât și în direcția înapoi.

Exemplu de utilizare: utilizare cu disc diamantat tip cupă

► Fig.33

Mențineți mașina în poziție orizontală și aplicați discul diamantat tip cupă pe întreaga suprafață a piesei de prelucrat.

Operarea cu disc de retezare abraziv/disc de diamant

Accesorii opționale

⚠️ AVERTIZARE: Nu „înțepeniți” discul și nici nu aplicați o presiune excesivă. Nu încercați să executați o adâncime excesivă a tăieturii.

Supratensionarea discului mărește sarcina și susceptibilitatea de a torsiona sau a de a înțepeni discul în tăietură și posibilitatea de recul, spargerea discului și supraîncălzirea motorului.

⚠️ AVERTIZARE: Nu porniți operația de retezare în piesa de prelucrat. Lăsați discul să ajungă la viteza maximă și pătrundeți cu atenție în tăietură prin mutarea sculei spre înainte pe suprafața piesei de prelucrat. Discul se poate înțepeni, se poate deplasa în sus sau poate provoca un recul dacă mașina electrică este repornită în piesa de lucru.

⚠️ AVERTIZARE: În timpul operațiilor de retezare, nu schimbați niciodată unghiul discului. Aplicarea unei presiuni laterale asupra discului abraziv de retezat (ca la polizare) va cauza fisurarea și spargerea discului, producând leziuni grave.

⚠️ AVERTIZARE: Discul de diamant va fi operat perpendicular pe materialul de tăiat.

Exemplu de utilizare: utilizare cu discul abraziv de retezat
► Fig.34

Exemplu de utilizare: utilizare cu discul diamantat
► Fig.35

Utilizarea cu peria oală de sârmă

Accesorii opționale

⚠️ ATENȚIE: Verificați operarea periei prin rotirea uneltei fără sarcină, asigurându-vă că nu se află nimeni în fața sau în linie cu peria.

NOTĂ: Evitați să aplicați o presiune prea mare care ar putea cauza îndoirea firelor la utilizarea periei oală de sârmă. Aceasta poate duce la o rupere timpurie.

Exemplu de utilizare: utilizare cu peria oală de sârmă
► Fig.36

Utilizarea cu peria de disc din sârmă

Accesorii opționale

⚠️ ATENȚIE: Verificați operarea periei de disc din sârmă prin rotirea uneltei fără sarcină, asigurându-vă că nu se află nimeni în fața sau în linie cu peria de disc din sârmă.

NOTĂ: Evitați să aplicați o presiune prea mare care ar putea cauza îndoirea firelor la utilizarea periei de disc din sârmă. Aceasta poate duce la o rupere timpurie.

Exemplu de utilizare: utilizare cu peria de disc din sârmă
► Fig.37

Utilizarea cu mașina de găurit

Accesorii opționale

⚠️ ATENȚIE: Verificați funcționarea mașinii de găurit, lăsând mașina să funcționeze în gol, asigurându-vă că nu se află nimeni în fața mașinii de găurit.

NOTĂ: Nu înclinați mașina în timpul funcționării. Aceasta poate duce la defectarea timpurie.

Exemplu de utilizare: utilizarea cu mașina de găurit
► Fig.38

ÎNȚREȚINERE

⚠️ ATENȚIE: Asigurați-vă întotdeauna că mașina este oprită și cartușul acumulatorului scos înainte de a executa lucrările de inspecție și întreținere.

NOTĂ: Nu utilizați niciodată gazolină, benzină, diluant, alcool sau alte substanțe asemănătoare. În caz contrar, pot rezulta decolorări, deformări sau fisuri.

Pentru a menține SIGURANȚA și FIABILITATEA produsului, reparațiile și orice alte lucrări de întreținere sau reglare trebuie executate de centre de service Makita autorizate sau proprii, folosind întotdeauna piese de schimb Makita.

Curățarea fanțelor de ventilație

Mașina și fanțele sale de ventilație trebuie păstrate curate. Curățați fanțele de ventilație ale mașinii în mod regulat sau ori de câte ori devin îmbăcșite.

► Fig.39: 1. Fantă de evacuare 2. Fantă de aspirație

Scoateți capacul de protecție contra prafului din oficiul de aspirare și curățați-l pentru a obține o mai bună circulație a aerului.

► Fig.40: 1. Capac de protecție contra prafului

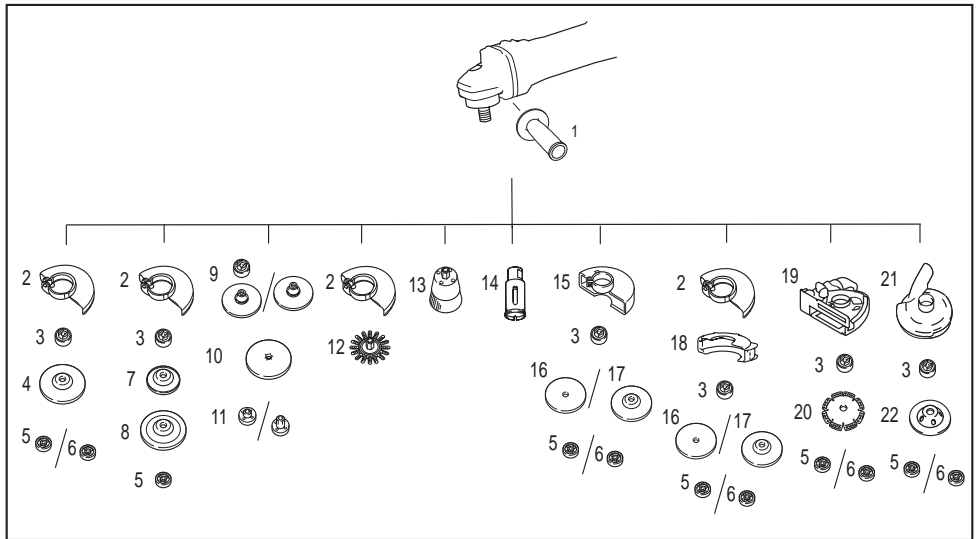
NOTĂ: Curățați capacul de protecție contra prafului atunci când acesta este ancrasat cu praf sau cu materii străine. Continuarea lucrului cu un capac de protecție contra prafului ancrasat poate conduce la avariarea mașinii.

COMBINAREA APLICAȚIILOR ȘI A ACCESORIILOR

Accesorii opționale

⚠️ ATENȚIE: Utilizarea mașinii cu apărătoarea incorectă poate cauza unele riscuri după cum urmează.

- Când utilizați o apărătoare a discului abraziv pentru polizarea fețelor, apărătoarea discului poate interfera cu piesa de prelucrat, ducând la pierderea controlului.
- Atunci când se utilizează o apărătoare a discului abraziv pentru operațiile de rețezare cu roți abrazive din material compozit și cu discuri diamantate, există un risc crescut de expunere la roțile aflate în rotație, la scântei și la particule, precum și de expunere la fragmente de roată în cazul spargerii roții.
- Atunci când utilizați o apărătoare a discului abraziv de rețezat sau o apărătoare a discului abraziv pentru operații asupra fețelor cu discuri diamantate tip cupă, apărătoarea poate interfera cu piesa de prelucrat, ducând la pierderea controlului.
- Atunci când utilizați o apărătoare a discului de rețezat sau o apărătoare a discului abraziv împreună cu o perie de disc din sârmă cu o grosime mai mare decât grosimea maximă menționată în „SPECIFICAȚII”, firele se pot prinde în apărătoare, ducând la ruperea firelor.
- Utilizarea apărătorilor de disc cu colector de praf pentru operații de rețezare și asupra fețelor pentru beton sau zidărie reduce riscul de expunere la praf.
- Când utilizați discuri cu dublă utilizare (pentru operații combinate de polizare și rețezare abrazivă) montate pe flanșă, utilizați numai o apărătoare a discului de rețezat.



-	Aplicație	Model 100 mm	Model 115 mm	Model 125 mm
1	-	Mâner lateral		
2	-	Apărătoare pentru disc (pentru disc abraziv)		
3	-	Flanșă interioară		
4	Polizare / Șlefuire	Disc cu centrul depresat/disc lamelar		
5	-	Contrapiuliță		
6	-	-	Ezynut *1	
7	-	Taler suport		
8	Polizare	Disc flexibil		
9	-	Flanșă interioară și garnitură din cauciuc 76	Taler de cauciuc 100	Taler de cauciuc 115
10	Șlefuire	Disc abraziv		
11	-	Contrapiuliță de presare		
12	Curățare cu perie de sârmă	Perie de disc din sârmă		

-	Aplicație	Model 100 mm	Model 115 mm	Model 125 mm
13	Curățare cu perie de sârmă	Perie oală de sârmă		
14	Găurire	Mașină de găurit		
15	-	Apărătoarea discului (pentru discul abraziv de retezat)		
16	Retezare	Disc abraziv de retezat / disc de diamant		
17	Polizare / Retezare	Disc cu dublă utilizare		
18	-	Accesoriu cu clemă pentru apărătoarea discului de retezat *2		
19	-	Apărătoarea discului cu colector de praf pentru retezare *3		
20	Retezare	Disc diamantat		
21	-	-	Apărătoarea discului cu colector de praf pentru polizare *4	
22	Polizare	-	Disc diamantat tip cupă *4	
-	-	Cheie pentru contrapiuliță		

NOTĂ: *1 Doar pentru mașini cu filet de arbore M14.

NOTĂ: *2 Accesoriul cu clemă pentru apărătoarea discului de retezat nu este disponibil în unele țări. Pentru mai multe detalii, consultați manualul de instrucțiuni al accesoriului cu clemă pentru apărătoarea discului de retezat.

NOTĂ: *3 Pentru mai multe detalii, consultați fiecare manual de instrucțiuni al apărătorii.

NOTĂ: *4 Numai pentru modelul DGA456 / DGA506

Pentru mai multe detalii, consultați fiecare manual de instrucțiuni al apărătorii.

ACCESORII OPȚIONALE

⚠ ATENȚIE: Folosiți accesoriile sau piesele auxiliare recomandate pentru mașina dumneavoastră Makita în acest manual. Utilizarea oricăror alte accesorii sau piese auxiliare poate prezenta risc de vătămare corporală. Utilizați accesoriile și piesele auxiliare numai în scopul destinat.

Dacă aveți nevoie de asistență sau de mai multe detalii referitoare la aceste accesorii, adresați-vă centrului local de service Makita.

- Acumulator și încărcător original Makita
- Accesorii prezentate în secțiunea „COMBINAREA APLICAȚIILOR ȘI A ACCESORIILOR”

NOTĂ: Unele articole din listă pot fi incluse ca accesorii standard în ambalajul de scule. Acestea pot diferi în funcție de țară.

ТЕХНІЧНІ ХАРАКТЕРИСТИКИ

Модель:		DGA406	DGA456	DGA506
Застосовний шліфувальний круг	Макс. діаметр круга	100 мм	115 мм	125 мм
	Макс. товщина круга	6,4 мм	7,2 мм	
Застосовний відрізний круг	Макс. діаметр круга	105 мм	115 мм	125 мм
	Макс. товщина круга	3,2 мм		
Застосовна дискова дротяна щітка	Макс. діаметр круга	100 мм	115 мм	125 мм
	Макс. товщина круга	20 мм		
Різьба шпинделя		M10	M14 або 5/8" (залежно від країни)	
Макс. довжина шпинделя		18 мм	23 мм	
Частота обертання в режимі холостого ходу (n_0) / Номінальна частота обертання (n)		8 500 хв ⁻¹		
Загальна довжина	з BL1840B	362 мм		
Маса нетто		2,2–3,7 кг	2,3–3,8 кг	2,4–3,8 кг
Номінальна напруга		18 В пост. струму		

- Оскільки наша програма наукових досліджень і розробок триває безперервно, наведені тут технічні характеристики можуть бути змінені без попередження.
- У різних країнах технічні характеристики можуть бути різними.
- Вага може відрізнятись залежно від допоміжного обладнання, наприклад касети з акумулятором. Найлегші та найважчі комплекти, відповідно до стандарту ЕРТА (Європейська асоціація виробників електроінструменту) від січня 01/2014 року, представлено в таблиці.

Застосовна касета з акумулятором і зарядний пристрій

Касета з акумулятором	BL1815N / BL1820B / BL1830B / BL1840B / BL1850B / BL1860B
Зарядний пристрій	DC18RC / DC18RD / DC18RE / DC18SD / DC18SE / DC18SF / DC18SH / DC18WC

- Деякі касети з акумулятором і зарядні пристрої, які вказано вище, можуть бути недоступними залежно від вашого регіону або місця перебування.

⚠ ПОПЕРЕДЖЕННЯ: Використовуйте лише касети з акумулятором і зарядні пристрої, перелічені вище. Використання будь-яких інших касет з акумулятором і зарядних пристроїв може призвести до травми й/або пожежі.

Рекомендоване джерело енергопостачання з дротовим підключенням

Портативний блок живлення	PDC01
---------------------------	-------

- У деяких регіонах певні моделі джерел енергопостачання з дротовим підключенням, які вказано вище, можуть бути недоступні.
- Перед використанням джерела енергопостачання з дротовим підключенням прочитайте інструкції та попереджувальні написи на них.

Символи

Далі наведено символи, які можуть застосовуватися для позначення обладнання. Перед користуванням переконайтеся, що ви розумієте їхнє значення.



Читайте інструкцію з експлуатації.



Вдягайте захисні окуляри.



Завжди працюйте двома руками.



Не використовуйте захисний кожух круга під час різання.



Тільки для країн ЄС
Через наявність в обладнанні небезпечних компонентів відходи електричного та електронного обладнання, акумулятори та батареї можуть негативно впливати на навколишнє середовище та здоров'я людини.
Не викидайте електричні та електронні прилади або батареї разом з побутовими відходами!
Відповідно до директиви ЄС стосовно відходів електричного та електронного обладнання, акумуляторів, батарей та відходів акумуляторів і батарей, а також відповідно до її адаптації до національного законодавства, відходи електричного обладнання, батареї та акумулятори слід зберігати окремо й доставляти на пункт роздільного збору комунальних відходів, який працює з дотриманням правил охорони навколишнього середовища.
Це позначено символом у вигляді перевершеного сміттевого контейнера з колесами, нанесеним на обладнання.

Призначення

Інструмент призначений для шліфування абразивним кругом/диском, шліфування абразивним папером, зачищення металевою щіткою, прорізання отворів і різання металів і каміння без використання води.

Шум

Рівень шуму за шкалою А в типовому виконанні, визначений відповідно до стандарту EN62841-2-3:

Модель	Рівень звукового тиску (L_{pA}): (дБ (А))	Рівень звукової потужності (L_{WA}): (дБ (А))	Похибка (К): (дБ (А))
DGA406	83	91	3
DGA456	82	90	3
DGA506	82	90	3

ПРИМІТКА: Заявлене значення шуму було виміряно відповідно до стандартних методів тестування й може використовуватися для порівняння одного інструмента з іншим.

ПРИМІТКА: Заявлене значення шуму може також використовуватися для попереднього оцінювання впливу.

▲ПОПЕРЕДЖЕННЯ: Користуйтеся засобами захисту органів слуху.

▲ПОПЕРЕДЖЕННЯ: Залежно від умов використання рівень шуму під час фактичної роботи електроінструмента може відрізнятись від заявленого значення вібрації; особливо сильно на це впливає тип деталі, що оброблюється.

▲ПОПЕРЕДЖЕННЯ: Забезпечте належні запобіжні заходи для захисту оператора, що відповідають умовам використання інструмента (слід брати до уваги всі складові робочого циклу, як-от час, коли інструмент вимкнено та коли він починає працювати на холостому ході під час запуску).

▲ПОПЕРЕДЖЕННЯ: Загальний рівень шуму під час шліфування тонких листів металу або інших схильних до вібрації конструкцій із великою поверхнею обробки може значно (до 15 дБ) перевищувати заявлені значення шуму.

Щоб запобігти сильному шуму, обкладіть ці конструкції важкими гнучкими амортизаційними матами або чимось подібним.

Враховуйте таке підвищення рівня шуму під час оцінки ризиків, пов'язаних із впливом шуму, та вибору відповідного засобу захисту органів слуху.

Вібрація

Загальна величина вібрації (векторна сума трьох напрямків) визначена згідно з EN62841-2-3:

Режим роботи: шліфування поверхні за допомогою звичайної бокової рукоятки

Модель	Розповсюдження вібрації ($a_{h, A}$): (м/с ²)	Похибка (К): (м/с ²)
DGA406	4,5	1,5
DGA456	6,5	1,5
DGA506	6,5	1,5

Режим роботи: шліфування поверхні за допомогою вібростійкої бокової рукоятки

Модель	Розповсюдження вібрації ($a_{H, AG}$): (м/с ²)	Похибка (К): (м/с ²)
DGA406	4,0	1,5
DGA456	6,0	1,5
DGA506	6,0	1,5

Режим роботи: шліфування диском за допомогою звичайної бокової рукоятки

Модель	Розповсюдження вібрації ($a_{H, DS}$): (м/с ²)	Похибка (К): (м/с ²)
DGA406	2,5 м/с ² або менше	1,5
DGA456	2,5 м/с ² або менше	1,5
DGA506	2,5 м/с ² або менше	1,5

Режим роботи: шліфування диском за допомогою вібростійкої бокової рукоятки

Модель	Розповсюдження вібрації ($a_{H, DS}$): (м/с ²)	Похибка (К): (м/с ²)
DGA406	2,5 м/с ² або менше	1,5
DGA456	2,5 м/с ² або менше	1,5
DGA506	2,5 м/с ² або менше	1,5

ПРИМІТКА: Заявлене загальне значення вібрації було виміряно відповідно до стандартних методів тестування й може використовуватися для порівняння одного інструмента з іншим.

ПРИМІТКА: Заявлене загальне значення вібрації може також використовуватися для попереднього оцінювання впливу.

⚠ ПОПЕРЕДЖЕННЯ: Залежно від умов використання вібрація під час фактичної роботи електроінструмента може відрізнятися від заявленого значення вібрації; особливо сильно на це впливає тип деталі, що оброблюється.

⚠ ПОПЕРЕДЖЕННЯ: Забезпечте належні запобіжні заходи для захисту оператора, що відповідають умовам використання інструмента (слід брати до уваги всі складові робочого циклу, як-от час, коли інструмент вимкнено та коли він починає працювати на холостому ході під час запуску).

⚠ ПОПЕРЕДЖЕННЯ: Заявлене значення вібрації відноситься до основних операцій, що виконуються за допомогою електроінструмента. Однак у разі використання інструмента з іншою метою значення вібрації може відрізнятися.

Декларація про відповідність стандартам ЄС

Тільки для країн Європи

Декларацію про відповідність стандартам ЄС наведено в Додатку А до цієї інструкції з експлуатації.

ПОПЕРЕДЖЕННЯ ПРО ДОТРИМАННЯ ТЕХНІКИ БЕЗПЕКИ

Загальні застереження щодо техніки безпеки при роботі з електроінструментами

⚠ ПОПЕРЕДЖЕННЯ Уважно ознайомтеся з усіма попередженнями, інструкціями, рисунками й технічними характеристиками, які стосуються цього електроінструмента. Невиконання наведених далі інструкцій може призвести до ураження електричним струмом, пожежі й (або) тяжких травм.

Збережіть усі інструкції з техніки безпеки та експлуатації на майбутнє.

Термін «електроінструмент», зазначений у інструкції з техніки безпеки, стосується електроінструмента, який функціонує від електромережі (електроінструмент з кабелем живлення), або електроінструмента з живленням від батареї (безпровідний електроінструмент).

Попередження про необхідну обережність під час роботи з акумуляторною шліфувальною машиною

Загальні попередження про необхідну обережність під час шліфування абразивним кругом/диском, шліфування абразивним папером, зачищення металевою щіткою та різання

1. Цей електроінструмент призначений для шліфування абразивним кругом/диском, шліфування абразивним папером, зачищення металевою щіткою, прорізання отворів або відрізання. Уважно ознайомтеся з усіма попередженнями, інструкціями, рисунками й технічними характеристиками, що стосуються цього електроінструмента. Невиконання наведених далі інструкцій може призвести до враження електричним струмом, пожежі й/або тяжких травм.

2. Цей електроінструмент не призначено для полірування. Використання електроінструмента не за призначенням може спричинити небезпечну ситуацію та призвести до травмування.
 3. Не змінюйте конструкцію електроінструмента з метою його використання у спосіб, що відрізняється від того, який передбачено й узгоджено виробником інструмента. Такі зміни можуть призвести до втрати контролю та спричинити серйозні травми.
 4. Заборонено використовувати приладдя, яке спеціально не призначено для цього інструмента виробником. Навіть якщо приладдя можна приєднати до електроінструмента, це не гарантує безпечної експлуатації.
 5. Номінальна швидкість приладдя має щонайменше дорівнювати максимальній швидкості, яка вказана на електроінструменті. Приладдя, що обертається зі швидкістю, більшою за номінальну, може зламатися та відскочити.
 6. Зовнішній діаметр і товщина приладдя мають бути в межах номінальних характеристик електроінструмента. Приладдя неналежащих розмірів неможливо захистити або контролювати належним чином.
 7. Розміри кріплення приладдя повинні відповідати розмірам кріплення електроінструмента. Використання приладдя, кріплення якого не підходять до кріплень електроінструмента, призводить до втрати рівноваги, надмірної вібрації та може спричинити втрату контролю.
 8. Використовувати пошкоджене приладдя заборонено. Перед кожним використанням слід перевірити приладдя, як-от абразивні круги, на наявність зазублин і тріщин, підкладку-підшову — на наявність тріщин або зношення, а металеві шітки — на наявність послаблених або тріснутих дрітків. У разі падіння електроінструмента або приладдя необхідно оглянути виріб на наявність пошкоджень або встановити неушкоджене приладдя. Після огляду та встановлення приладдя займіть таке положення, щоб ви та сторонні особи перебували поза площиною обертання приладдя, запустіть електроінструмент і дайте йому попрацювати на максимальній швидкості без навантаження протягом однієї хвилини. Під час такого пробного запуску пошкоджене приладдя зазвичай розпадається на частини.
 9. Використовуйте засоби індивідуального захисту. Залежно від сфери застосування необхідно користуватися захисним щитком або захисними окулярами. За необхідності носіть пілозахисну маску, засоби захисту органів слуху, рукавиці та робочий фартух, які здатні затримувати дрібні частинки абразивного матеріалу або деталі. Засоби захисту органів зору повинні бути здатними затримувати уламки, що розлітаються під час виконання різних операцій. Пілозахисна маска або респіратор мають фільтрувати частинки, що утворюються під час виконання певної операції. Тривала дія сильного шуму може призвести до втрати слуху.
 10. Сторонні особи мають знаходитися на безпечній відстані від місця роботи. Кожна особа, яка входить до робочої зони, має носити засоби індивідуального захисту. Частинки оброблюваної деталі або уламки приладдя можуть відлетіти та спричинити травмування.
 11. Тримайте електроінструмент тільки за ізольовані поверхні держача під час виконання дії, за якої різальний інструмент може зачепити сховану електропроводку. Торкання дроту під напругою може призвести до передавання напруги до металевих частин електроінструмента та до ураження оператора електричним струмом.
 12. Не можна відкладати електроінструмент, доки приладдя повністю не зупиниться. Приладдя, що обертається, може зачепити поверхню, і ви не зможете втримати електроінструмент.
 13. Не можна вмикати електроінструмент, тримаючи його впритул до себе. Унаслідок випадкового контакту приладдя, що обертається, може зачепити одяг та призвести до руху приладдя в напрямку тіла.
 14. Регулярно очищуйте вентиляційні отвори електроінструмента. Вентилятор двигуна втягує пил усередину кожуха, а надмірне скупчення металевого порошку створює ризик ураження електричним струмом.
 15. Не можна працювати з електроінструментом поблизу легкозаймистих матеріалів. Ці матеріали можуть спалахнути від іскри.
 16. Не можна використовувати приладдя, що потребує застосування охолоджувальних рідин. Використання води або інших охолоджувальних рідин може призвести до враження електричним струмом.
- Віддача та відповідні попередження**
- Віддача — це миттєва реакція на заземлення або чіплення круга, що обертається, підкладки-підшови, шітки або будь-якого іншого приладдя. Защемлення або чіплення призводить до швидкої зупинки приладдя, що обертається, і це у свою чергу спричиняє неконтрольований рух електроінструмента в напрямку, протилежному до напрямку обертання приладдя в місці заклинювання.
- Наприклад, якщо абразивний круг заземлений або зачеплений деталлю, край круга, що входить до місця заземлення, може ввійти в поверхню матеріалу, що призведе до відскоку круга або віддачі. Круг може відскочити в напрямку оператора або від нього; це залежить від напрямку руху круга в місці заземлення. За таких умов абразивні круги можуть також зламатися. Причинами віддачі є неправильне користування електроінструментом та/або неправильні умови чи порядок експлуатації; її можна уникнути, уживши запобіжних заходів, зазначених нижче.
1. Міцно тримайте електроінструмент обома руками за рукоятку та займіть таке положення, яке дозволить вам опиратися силі віддачі. обов'язково користуйтеся допоміжною рукою (за наявності), щоб збільшити до максимуму контроль за віддачею або реакцією від крутного моменту під час пуску. Якщо вжити всіх запобіжних заходів, оператор зможе контролювати реакцію крутного моменту або силу віддачі.

2. У жодному разі не можна тримати руку біля приладдя, що обертається. Приладдя може травмувати руку під час віддачі.
3. Не стійте на можливій траєкторії руху електроінструмента в разі віддачі. У разі віддачі інструмент рухатиметься в напрямку, протилежному напрямку обертання круга.
4. Будьте особливо обережні під час обробки кутів, гострих країв тощо. Уникайте відскоків і чіпання приладдя. Куті, гострі краї або відскоки призводять до чіпання приладдя, що обертається, спричиняючи втрату контролю та віддачу.
5. Не використовуйте з цим інструментом ланцюг для пили, диск для різання деревини, сегментований алмазний диск із зазором більше 10 мм або зубчатий диск пили. Такі диски часто спричиняють віддачу та втрату контролю.

Спеціальні попередження про необхідну обережність під час шліфування абразивним кругом/диском і операції відрізання

1. Використовуйте круги тільки того типу, який вказано в переліку рекомендованих для цього електроінструмента, а також спеціальний захисний кожух, призначений для вибраного круга. Круги, для роботи з якими електроінструмент не призначено, не можна надійно закрити захисним кожухом, тому вони становлять небезпеку.
2. Шліфувальну поверхню кругів із заглибленим центром необхідно встановлювати під площиную кромки захисного кожуха. Неправильно встановлений круг, який виступає за площину кромки захисного кожуха, не можна закрити належним чином.
3. Захисний кожух необхідно надійно прикріпити до електроінструмента та з міркувань досягнення максимальної безпеки розташувати так, щоб круг був якомога менше відкритим у напрямку оператора. Кожух захищає оператора від уламків зламаного круга, від випадкового контакту з кругом та від іскор, через які може зайнятися одяг.
4. Круги необхідно використовувати тільки за вказаним призначенням. Наприклад, шліфувати поверхні бічною стороною відрізного круга не можна. Абразивні відрізні круги призначені для шліфування периферією круга; у разі докладання бічних зусиль до цих кругів вони можуть розколотися.
5. Обов'язково використовуйте неушкоджені фланці кругів, розмір та форма яких відповідають вибраному кругу. Правильно підібрані фланці добре підтримують круг і таким чином зменшують імовірність його поломи. Фланці для відрізнних кругів можуть відрізатися від фланців для шліфувальних кругів.
6. Не можна використовувати зношені круги від більших електроінструментів. Круг, призначений для більшого електроінструмента, не підходить до високошвидкісного інструмента меншого розміру та може розірватися.

7. Застосовуючи круги подвійного призначення, завжди використовуйте відповідний захисний кожух, що підходить для виконаної роботи. Неправильно вибраний захисний кожух не зможе забезпечувати бажаний рівень захисту, що може призвести до серйозних травм.

Додаткові спеціальні попередження про необхідну обережність під час операцій відрізання

1. Не можна «заклиновати» відрізнний круг або прикладати надмірний тиск. Не намагайтеся зробити розріз надмірної глибини. Надмірний тиск на круг збільшує навантаження та ризик перекошування або заклинювання круга в розрізі, а також може спричинити віддачу або поломку круга.
2. Не можна знаходитися на одній лінії з кругом або позаду круга, що обертається. Коли під час роботи круг рухається від вас, то можлива віддача може відштовхнути круг, що обертається, та електроінструмент прямо у ваш бік.
3. Якщо круг застрягне або процес різання буде перервано з будь-якої причини, вимкніть електроінструмент і утримуйте його нерухомо до повної зупинки круга. У жодному разі не намагайтеся витягти відрізнний круг із розрізу, поки він рухається; недотримання цієї вимоги може призвести до віддачі. Огляньте круг і вживіть необхідних заходів, щоб усунути причину його заклинювання.
4. Заборонено знову починати операцію різання, доки круг залишається в робочій деталі. Спочатку круг повинен набрати повну швидкість, лише потім його можна обережно знову ввести в розріз. Якщо електроінструмент перезапустити, коли круг знаходиться в робочій деталі, круг може застрягти, сіпнутися або спричинити віддачу.
5. Під час роботи з панелями або будь-якими деталями великого розміру необхідно забезпечити опору, щоб мінімізувати ризик заземлення круга або виникнення віддачі. Великі робочі деталі зазвичай прогинаються під власною вагою. Опори необхідно розташовувати під робочою деталлю поблизу лінії різання та поблизу краю робочої деталі з обох боків круга.
6. Необхідна особлива обережність під час вирізання виймок у стінах або інших невидимих зонах. Круг, що виступає вперед, може зачепити газо- або водопровід, електропроводку або предмети, що можуть спричинити віддачу.
7. Не намагайтеся робити криволінійний розріз. Надмірний тиск на круг збільшує навантаження та ризик перекошування або заклинювання круга в розрізі, а також може спричинити віддачу або поломку круга, внаслідок чого можливе серйозне травмування.
8. Перед використанням сегментованого алмазного диска слід переконатися, що зазор між сегментами алмазного диска становить 10 мм або менше й диск має від'ємний передній кут.

Спеціальні попередження про необхідну обережність під час шліфування абразивним папером

1. Використовуйте абразивний папір відповідного розміру. Вибираючи абразивний папір, дотримуйтеся рекомендацій виробника. Завеликий абразивний папір, що надто виступає за межі шліфувальної подушки, становить небезпеку поранення та може призвести до чіпляння, задирання диска або до віддачі.

Спеціальні попередження про необхідну обережність під час зачищення металевою щіткою

1. Пам'ятайте, що від щітки відлітають уламки дроту, навіть під час звичайної роботи. Не перенапружуйте дрід, прикладаючи надмірне навантаження до щітки. Уламки дроту можуть легко пробити легкий одяг та/або шкіру.
2. Якщо під час зачищення металевою щіткою рекомендовано використовувати захисний кожух, не допускайте контакту дискової дротяної щітки або щітки та кожуха. Під дією робочого навантаження та відцентрових сил діаметр щітки або дискової дротяної щітки може збільшитися.

Додаткові попередження про необхідну обережність:

1. У разі використання шліфувальних кругів із заглибленим центром використовуйте лише круги, армовані скловолокном.
2. У ЖОДНОМУ РАЗІ НЕ ВИКОРИСТОВУЙТЕ з цією шліфувальною машиною чашоподібні шліфувальні круги для роботи по каменю. Ця шліфувальна машина не призначена для використання кругів такого типу, і таке використання виробу може призвести до важких травм.
3. Будьте обережні, щоб не пошкодити шпindel, фланець (особливо поверхню встановлення) або контргайку. Пошкодження цих деталей може призвести до поломки круга.
4. Перед увімкненням інструмента переконайтеся, що круг не торкається деталі.
5. Перед початком використання інструмента запустіть його та дайте попрацювати йому деякий час. Звертайте увагу на вібрацію або нерівний хід — це може вказувати на незадовільне встановлення або балансування круга.
6. Використовуйте зазначену поверхню круга для шліфування.
7. Не залишайте без нагляду інструмент, який працює. Працюйте з інструментом, тільки тримаючи його в руках.
8. Не торкайтеся деталі одразу після обробки — вона може бути дуже гарячою та спричинити опік шкіри.
9. Не торкайтеся допоміжних деталей одразу після обробки — вони можуть бути дуже гарячими та спричинити опік шкіри.
10. Дотримуйтеся інструкцій виробника щодо правильного встановлення та використання круга. Поводитися з кругами та зберігати їх необхідно з належною обережністю.

11. Не використовуйте окремі перехідні втулки або адаптери для прикріплення шліфувальних кругів з отворами великого діаметра.
12. Використовуйте тільки фланці, призначені для цього інструмента.
13. При використанні інструментів, призначених для встановлення кругів із різьбовим отвором, необхідно, щоб довжина різьби круга відповідала довжині шпінделя.
14. Перевірте надійність опори робочої деталі.
15. Пам'ятайте, що круг продовжує обертатися після вимкнення інструмента.
16. У разі високої температури, вологості чи рівня забруднення електропровідним пилом на робочому місці використовуйте автоматичний захисний вимикач (30 мА) для забезпечення безпеки оператора.
17. Не застосовуйте інструмент для роботи з матеріалами, що містять азбест.
18. Якщо використовується відрізний круг, обов'язково застосовуйте пилозахисний кожух круга, який відповідає вимогам місцевих норм.
19. Не можна піддавати ріжучі диски боковому тиску.
20. Під час роботи не користуйтеся сукняними робочими рукавицями. Волокно з сукняних рукавиць може потрапити в інструмент, і це призведе до його поломки.
21. Перед початком роботи переконайтеся в тому, що під поверхню робочої зони не проходять лінії електропостачання, водопроводи або газопроводи. Недотримання цієї вимоги може призвести до враження електричним струмом, витоку струму або газу.
22. Якщо до круга прикріплено прокладку, не знімайте її. Діаметр прокладки повинен перевищувати розміри контргайки, а також зовнішнього й внутрішнього фланця.
23. Перш ніж встановлювати шліфувальний круг, обов'язково перевіряйте, чи немає на прокладці якихось пошкоджень типу відколів або тріщин.
24. Затягніть контргайку належним чином. Надмірне затягування круга може призвести до його поломки, а недостатнє затягування може спричинити його вібрацію.

ЗБЕРІГАЙТЕ ЦІ ВКАЗІВКИ.

▲ ПОПЕРЕДЖЕННЯ: НИКОЛИ НЕ втрачайте пильності та не розслабляйтеся під час користування виробом (що можливо при частому користуванні); обов'язково строго дотримуйтеся відповідних правил безпеки. **НЕНАЛЕЖНЕ ВИКОРИСТАННЯ** або недотримання правил безпеки, викладених у цій інструкції з експлуатації, може призвести до серйозних травм.

Важливі інструкції з безпеки для касети з акумулятором

1. Перед тим як користуватися касетою з акумулятором, слід прочитати всі інструкції та застережні знаки щодо (1) зарядного пристрою акумулятора, (2) акумулятора та (3) виробів, що працюють від акумулятора.
2. Не розбирайте касету з акумулятором і не змінюйте її конструкцію. Це може призвести до пожежі, перегріву або вибуху.
3. Якщо період роботи дуже покоротшав, слід негайно припинити користування. Це може призвести до виникнення ризику перегріву, опіку та навіть вибуху.
4. У разі потраплення електроліту в очі слід промити їх чистою водою та негайно звернутися до лікаря. Це може призвести до втрати зору.
5. Не закоротіть касету з акумулятором.
 - (1) Не слід торкатися клем будь-яким струмопровідним матеріалом.
 - (2) Не слід зберігати касету з акумулятором у ємності з іншими металевими предметами, такими як цвяхи, монети тощо.
 - (3) Не залишайте касету з акумулятором під дощем, запобігайте контакту з водою.Коротке замикання може призвести до появи значного струму, перегріву, можливих опіків та навіть виходу з ладу.
6. Не слід зберігати й використовувати інструмент і касету з акумулятором у місцях, де температура може сягнути чи перевищити 50 °C (122 °F).
7. Не слід спалювати касету з акумулятором, навіть якщо вона була неодноразово пошкоджена або повністю спрацьована. Касета з акумулятором може вибухнути у вогні.
8. Заборонено забивати цвяхи в касету з акумулятором, різати, ламати, кидати, впускати касету з акумулятором або вдаряти її твердим предметом. Це може призвести до пожежі, перегріву або вибуху.
9. Не слід використовувати пошкоджений акумулятор.
10. Літій-іонні акумулятори, що містяться в інструменті, мають відповідати вимогам законів про небезпечні товари.

Під час транспортування за допомогою комерційних перевезень, наприклад із залученням третьої сторони та експедиторів, необхідно дотримуватись особливих вимог, вказаних на пакуванні й у маркуванні. Під час підготування позиції до відправлення необхідно проконсультуватись зі спеціалістом з небезпечних матеріалів. Крім того, слід виконувати більш докладні національні настанови, якщо такі є. Заклейте відкриті контакти стрічкою або заховайте їх і запакуйте акумулятор таким чином, щоб він не міг рухатися в пакуванні.
11. Для утилізації касети з акумулятором витягніть її з інструмента та утилізуйте безпечним способом. Дотримуйтеся норм місцевого законодавства щодо утилізації акумуляторів.
12. Використовуйте акумулятори лише з виробами, указаними компанією Makita. Установлення акумуляторів у невідповідні виробы може призвести до пожежі, надмірного нагрівання, вибуху чи витoku електроліту.
13. Якщо інструментом не користуватимуться протягом тривалого періоду часу, вийміть акумулятор з інструмента.
14. Під час і після використання касета з акумулятором може нагріватися, що може стати причиною опіків або низькотемпературних опіків. Будьте обережні під час поводження з гарячою касетою з акумулятором.
15. Не торкайтеся контактів інструмента відразу після використання, оскільки він може бути досить гарячим, щоб викликати опіки.
16. Не допускайте, щоб уламки, пил або земля прилипали до контактів, отворів і пазів на касеті з акумулятором. Це може призвести до перегріву, займання, вибуху та виходу з ладу інструмента або касети з акумулятором і спричинити опіки або травми.
17. Якщо інструмент не розраховано на використання поблизу високовольтних ліній електропередач, не використовуйте касету з акумулятором поблизу високовольтних ліній електропередач. Це може призвести до несправності, поломки інструмента або касети з акумулятором.
18. Тримайте акумулятор у недоступному для дітей місці.

ЗБЕРІГАЙТЕ ЦІ ВКАЗІВКИ.

▲ОБЕРЕЖНО: Використовуйте тільки акумулятори Makita. Використання акумуляторів, інших ніж оригінальні акумулятори Makita, або акумуляторів, конструкцію яких було змінено, може призвести до вибуху акумулятора і спричинити пожежу, травму або пошкодження. У зв'язку з цим також буде анульовано гарантію Makita на інструмент Makita і на зарядний пристрій.

Поради з забезпечення максимального строку експлуатації акумулятора

1. Касету з акумулятором слід заряджати до того, як він розрядиться повністю. Завжди слід зупинити роботу інструмента та зарядити акумулятор, якщо ви помітили зменшення потужності інструмента.
2. Ніколи не слід заряджати повторно повністю заряджену касету з акумулятором. Перезарядження скорочує строк експлуатації акумулятора.
3. Заряджайте касету з акумулятором при кімнатній температурі 10°C - 40°C (50°F - 104°F). Перед тим як заряджати касету з акумулятором, слід зачекати, доки вона охолоне.
4. Коли касета з акумулятором не використовується, виймайте її з інструмента або зарядного пристрою.
5. Якщо касета з акумулятором не використовувалася тривалий час (понад шість місяців), її слід зарядити.

ОПИС РОБОТИ

⚠ ОБЕРЕЖНО: Обов'язково переконайтеся, що прилад вимкнено, а касету з акумулятором знято, перед регулюванням або перевіркою функціонування інструмента.

Встановлення та зняття касети з акумулятором

⚠ ОБЕРЕЖНО: Завжди вимикайте інструмент перед встановленням або зняттям касети з акумулятором.

⚠ ОБЕРЕЖНО: Під час встановлення або зняття касети з акумулятором слід міцно тримати інструмент та касету з акумулятором. Якщо ви утримуватимете інструмент та касету з акумулятором недостатньо міцно, вони можуть вислизнути з рук, що може призвести до пошкодження інструмента та касети з акумулятором або може спричинити травми.

► **Рис.1:** 1. Червоний індикатор 2. Кнопка 3. Касета з акумулятором

Щоб зняти касету з акумулятором, слід витягнути її з інструмента, натиснувши на кнопку в передній частині касети.

Щоб установити касету з акумулятором, слід сумістити виступ на касеті з акумулятором із пазом у корпусі й вставити касету на місце. Вставляйте її до кінця, щоб вона зафіксувалася з легким клацанням. Якщо ви бачите червоний індикатор, як показано на рисунку, її не зафіксовано повністю.

⚠ ОБЕРЕЖНО: Завжди вставляйте касету з акумулятором повністю, щоб червоного індикатора не було видно. Якщо цього не зробити, касета може випадково випасти з інструмента та завдати травми вам або людям, що знаходяться поряд.

⚠ ОБЕРЕЖНО: Не встановлюйте касету з акумулятором із зусиллям. Якщо касета не вставляється легко, то це означає, що ви її неправильно вставляєте.

Відображення залишкового заряду акумулятора

Тільки для касет з акумулятором, які мають індикатори

► **Рис.2:** 1. Індикаторні лампи 2. Кнопка перевірки
Натисніть кнопку перевірки на касеті з акумулятором для відображення залишкового ресурсу акумулятора. Індикаторні лампи загоряться на кілька секунд.

Індикаторні лампи			Залишковий ресурс
Горить	Вимк.	Блимає	
■	□	▧	від 75 до 100%
■	■	■	від 50 до 75%
■	■	□	від 25 до 50%
■	□	□	від 0 до 25%
▧	□	□	Зарядіть акумулятор.
■	■	□	Можливо, акумулятор вийшов з ладу.
□	□	■	

ПРИМІТКА: Залежно від умов використання та температури оточуючого середовища показання можуть незначним чином відрізнятися від дійсного ресурсу.

ПРИМІТКА: Перша (дальня ліва) індикаторна лампа блимає під час роботи захисної системи акумулятора.

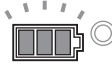
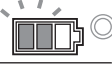
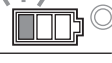
Відображення залишкового заряду акумулятора

Залежно від країни

Коли ви вмикаєте інструмент, індикатор акумулятора показує залишковий заряд акумулятора.

► **Рис.3:** 1. Індикатор акумулятора

Залишковий заряд акумулятора відображається, як показано в наступній таблиці.

Стан індикатора акумулятора			Залишок заряду акумулятора
Вимк.	Вимк.	Блимає	
■	□	▧	Від 50 до 100%
			Від 20 до 50%
			Від 0 до 20%
			Зарядіть акумулятор

Система захисту інструмента/акумулятора

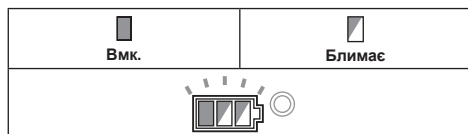
Інструмент оснащено системою захисту інструмента/акумулятора. Ця система автоматично вимикає живлення двигуна з метою збільшення терміну служби інструмента та акумулятора. Інструмент автоматично зупиняється під час роботи, якщо інструмент або акумулятор перебувають у зазначених нижче умовах.

Захист від перевантаження

Якщо інструмент використовується в умовах надмірного споживання струму, він автоматично вимикається без будь-якого попередження. У такому випадку вимкніть інструмент та припиніть роботу, під час виконання якої інструмент зазнав перевантаження. Щоб перезапустити інструмент, увімкніть його знову.

Захист від перегрівання

У разі перегрівання інструмента він автоматично зупиняється, а індикатор акумулятора має нижченаведений вигляд. У такому випадку дозвольте інструменту охолонути, перш ніж знову його ввімкнути.



Якщо інструмент не запускається, це може означати, що акумулятор перегрівся. У такому випадку дозвольте акумулятору охолонути, перш ніж знову ввімкнути інструмент.

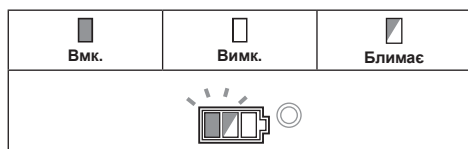
Захист від надмірного розрядження

Коли заряд акумулятора стає недостатнім для подальшої роботи, інструмент автоматично зупиняється. У такому випадку вийміть акумулятор з інструмента та зарядіть його.

Знімання захисного блокування

Коли система захисту спрацьовує повторно, відбувається блокування інструмента й індикатор акумулятора має вказаний нижче вигляд.

У такому разі інструмент не вмикається, навіть якщо його вимкнути та знов увімкнути. Для того щоб зняти захисне блокування, зніміть акумулятор, приєднайте його до заряджального пристрою акумулятора та зачекайте, доки заряджання не закінчиться.



Захист від інших неполадок

Система захисту також забезпечує захист від інших неполадок, які можуть призвести до пошкодження інструмента, і забезпечує автоматичне зупинення інструмента. У разі тимчасової зупинки або припинення роботи інструмента виконайте всі зазначені нижче дії для усунення причини зупинки.

1. Вимкніть і знову увімкніть інструмент, щоб перезапустити його.
2. Зарядіть акумулятор(-и) або замініть його(їх) зарядженим(-и).
3. Дайте інструменту й акумулятору(-ам) охолонути.

Якщо після відновлення вихідного стану системи захисту ситуація не зміниться, зверніться до місцевого сервісного центру Makita.

Замок вала

▲ПОПЕРЕДЖЕННЯ: Заборонено використовувати замок вала, коли шпindel обертається. Це може призвести до важких травм або пошкодження інструмента.

Натисніть на замок вала, щоб заблокувати обертання шпинделя під час встановлення або зняття приладдя.

► **Рис.4:** 1. Замок вала

Дія вимикача

▲ОБЕРЕЖНО: Перед тим як вставляти касету з акумулятором в інструмент, слід переконатися, що повзунковий перемикач працює належним чином і повертається в положення «ВІМК.» у разі натискання задньої частини повзункового перемикача.

▲ОБЕРЕЖНО: Вимикач можна заблокувати в положенні «увімкнено» для зручності оператора у разі тривалого використання. У разі блокування інструмента в положенні «увімкнено» необхідно бути особливо обережним та міцно тримати інструмент.

Щоб увімкнути інструмент, натисніть на задню частину повзункового перемикача, а потім посуňte його в положення «I (УВІМК.)». Для безперервної роботи натисніть на передню частину повзункового перемикача, щоб зафіксувати його.

► **Рис.5:** 1. Повзунковий перемикач

Щоб вимкнути інструмент, натисніть на задню частину повзункового перемикача, а потім посуňte його в положення «O (ВІМК.)».

► **Рис.6:** 1. Повзунковий перемикач

Функція автоматичної зміни швидкості

► **Рис.7:** 1. Індикатор режиму

Стан індикатора режиму	Режим роботи
	Режим високої швидкості
	Режим високого крутного моменту

Цей інструмент має «режим високої швидкості» та «режим високого крутного моменту». Він змінює режим роботи автоматично залежно від робочого навантаження. Якщо індикатор режиму горить під час роботи, інструмент працює у режимі високого крутного моменту.

Функція запобігання раптовому перезапуску

Якщо під час встановлення касети з акумулятором перемикач знаходиться в положенні УВІМК., інструмент не запуститься.

Щоб запустити інструмент, вимкніть перемикач і знов увімкніть.

Функція розпізнавання активного зворотного зв'язку

За допомогою електронного керування інструмент визначає ситуації, у яких існує небезпека заклинювання диска або приладдя. У такому разі інструмент автоматично вимикається, запобігаючи подальшому обертанню шпинделя (він не запобігає спричиненню віддачі). Щоб перезапустити інструмент, вимкніть його, усуньте причину раптового уповільнення обертання диска й увімкніть знов.

Функція плавного запуску

Функція плавного запуску гасить поштовх під час запуску інструмента.

Електричне гальмо

Електричне гальмо активується після вимкнення інструмента.

Гальмо не працює, якщо подача живлення припиняється, наприклад у разі випадкового виймання акумулятора, коли перемикач перебуває в увімкненому положенні.

ЗБОРКА

⚠ ОБЕРЕЖНО: Обов'язково переконайтеся, що прилад вимкнено, а касету з акумулятором знято, перед регулюванням або перевіркою функціонування інструмента.

Встановлення бокової рукоятки (ручки)

⚠ ОБЕРЕЖНО: Перед початком роботи необхідно перевірити надійність кріплення бокової рукоятки.

Надіжно пригвинтіть бокову рукоятку до інструмента, як показано на малюнку.

► Рис.8

Установлення та зняття захисного кожуха (для круга з заглибленим центром, пелюсткового диска, гнучкого круга, дискової дротяної щітки / абразивного відрізного круга, алмазного диска)

⚠ ПОПЕРЕДЖЕННЯ: При використанні круга з заглибленим центром, пелюсткового диска, гнучкого круга або дискової дротяної щітки встановлюйте захисний кожух круга таким чином, щоб закриту сторону кожуха завжди було спрямовано в бік оператора.

⚠ ПОПЕРЕДЖЕННЯ: Під час застосування абразивного відрізного круга / алмазного диска обов'язково використовуйте тільки спеціальний захисний кожух круга, призначений для використання з відрізними кругами.

Для інструмента із захисним кожухом круга зі стопорним гвинтом

Установіть захисний кожух круга, сумістивши виступи на його ободі з виїмками на корпусі підшипника. Потім поверніть захисний кожух круга на такий кут, щоб він захищав оператора відповідно до виконуваних робіт. Надійно затягніть гвинт.

Щоб зняти захисний кожух круга, виконайте процедуру його встановлення у зворотному порядку.

► Рис.9: 1. Захисний кожух круга 2. Корпус підшипника 3. Гвинт

Для інструмента із захисним кожухом круга із затискним важелем

Відпустіть гвинт і потягніть важіль у напрямку, вказаному стрілкою. Установіть захисний кожух круга, сумістивши виступи на його ободі з виїмками на корпусі підшипника. Потім поверніть захисний кожух круга на такий кут, щоб він захищав оператора відповідно до виконуваних робіт.

► Рис.10: 1. Захисний кожух круга 2. Корпус підшипника 3. Гвинт 4. Важіль

Потягніть важіль у напрямку, вказаному стрілкою. Потім затягніть захисний кожух круга за допомогою гвинта. Надійно затягніть гвинт. Кут встановлення захисного кожуха круга можна відрегулювати за допомогою важеля.

► Рис.11: 1. Гвинт 2. Важіль

Щоб зняти захисний кожух круга, виконайте процедуру його встановлення у зворотному порядку.

Насадка захисного кожуха відрізного круга із затискачем

Додаткове приладдя

ПРИМІТКА: Для операцій відрізання разом із захисним кожухом (для шліфувального круга) можна використовувати насадку захисного кожуха відрізного круга із затискачем.

Недоступна в деяких країнах.

► Рис.12

Встановлення або зняття круга з заглибленим центром або пелюсткового диска

Додаткове приладдя

⚠ ПОПЕРЕДЖЕННЯ: При використанні круга з заглибленим центром або пелюсткового диска встановлюйте захисний кожух круга таким чином, щоб закриту сторону кожуха завжди було спрямовано в бік оператора.

⚠ ПОПЕРЕДЖЕННЯ: Переконайтеся, що монтажна деталь внутрішнього фланця точно відповідає внутрішньому діаметру круга з заглибленим центром / пелюсткового диска. Встановлення внутрішнього фланця на невідповідному боці може призвести до небезпечної вібрації.

Установіть внутрішній фланець на шпindelь. Переконайтеся, що зазублену частину внутрішнього фланця встановлено на пряму частину внизу шпindelя.

Встановіть круг із заглибленим центром / пелюстковий диск на внутрішній фланець та накрутіть контргайку на шпindelь.

- **Рис.13:** 1. Контргайка 2. Круг із заглибленим центром 3. Внутрішній фланець 4. Монтажна деталь

Щоб затягнути контргайку, міцно натисніть на замок вала, щоб шпindelь не міг обертатись, а потім за допомогою ключа для контргайки надійно затягніть її за годинниковою стрілкою.

- **Рис.14:** 1. Ключ для контргайки 2. Замок вала

Щоб зняти круг, виконайте процедуру його встановлення у зворотному порядку.

Встановлення та зняття гнучкого круга

Додаткове приладдя

▲ПОПЕРЕДЖЕННЯ: Якщо на інструмент встановлено гнучкий круг, обов'язково використовуйте захисний кожух, що входить до комплекту постачання. Під час використання круг може розколотися, а захисний кожух зменшує ризик травмування.

- **Рис.15:** 1. Контргайка 2. Гнучкий круг 3. Підкладка 4. Внутрішній фланець

Дотримуйтесь інструкцій щодо використання круга із заглибленим центром, але також використовуйте пластикову підкладку, що встановлюється на круг.

Встановлення або зняття абразивного диска

Додаткове приладдя

ПРИМІТКА: Використовуйте приладдя для шліфувальної машини, зазначені в цій інструкції. Їх потрібно купувати окремо.

Для моделі 100 мм (4")

- **Рис.16:** 1. Контргайка шліфувального диска 2. Абразивний диск 3. Гумова підкладка 4. Внутрішній фланець

1. Установіть внутрішній фланець на шпindelь.
2. Установіть гумову підкладку на шпindelь.
3. Установіть диск на гумову підкладку та накрутіть на шпindelь контргайку шліфувального диска.
4. Утримуйте шпindelь за допомогою замка вала та надійно затягніть контргайку шліфувального диска ключем для контргайки.

Щоб зняти диск, виконайте процедуру встановлення у зворотному порядку.

Для моделі, діаметр в якій не 100 мм (4")

- **Рис.17:** 1. Контргайка шліфувального диска 2. Абразивний диск 3. Гумова підкладка

1. Установіть гумову підкладку на шпindelь.
2. Установіть диск на гумову підкладку та накрутіть на шпindelь контргайку шліфувального диска.
3. Утримуйте шпindelь за допомогою замка вала та надійно затягніть контргайку шліфувального диска ключем для контргайки.

Щоб зняти диск, виконайте процедуру встановлення у зворотному порядку.

Установлення або зняття гайки Ezyrut

Додаткове приладдя

Тільки для інструментів із різьбою шпindelя M14.

Установіть внутрішній фланець, абразивний круг і гайку Ezyrut на шпindelь так, щоб логотип Makita на гайці Ezyrut був спрямований назовні.

- **Рис.18:** 1. Ezyrut 2. Абразивний круг 3. Внутрішній фланець 4. Шпindelь

Сильно надавіть на замок вала й затягніть гайку Ezyrut, повернувши абразивний круг за годинниковою стрілкою до упору.

- **Рис.19:** 1. Замок вала

Щоб відпустити гайку Ezyrut, поверніть зовнішнє кільце Ezyrut проти годинникової стрілки.

ПРИМІТКА: Гайку Ezyrut можна відпустити без використання інструментів, якщо стрілка вказує на паз. В іншому разі необхідно скористатися ключом для контргайок. Вставте один зуб ключа в отвір і поверніть гайку Ezyrut проти годинникової стрілки.

- **Рис.20:** 1. Стрілка 2. Паз

- **Рис.21**

Установлення абразивного відрізного круга / алмазного диска

Додаткове приладдя

▲ПОПЕРЕДЖЕННЯ: Під час застосування абразивного відрізного круга / алмазного диска обов'язково використовуйте тільки спеціальний захисний кожух круга, призначений для використання з відрізними кругами.

▲ПОПЕРЕДЖЕННЯ: ЗАБОРОНЕНО використовувати відрізний круг для бокового шліфування.

- **Рис.22:** 1. Контргайка 2. Абразивний відрізний круг / алмазний диск 3. Внутрішній фланець 4. Захисний кожух для абразивного відрізного круга / алмазного диска

Стосовно встановлення дотримуйтесь інструкцій для круга із заглибленим центром.

Напрямок встановлення контргайки та внутрішнього фланця залежить від типу та товщини круга.

Див. наведені далі рисунки.

Для моделі 100 мм (4")

Під час встановлення абразивного відрізного круга:

- **Рис.23:** 1. Контргайка 2. Абразивний відрізнаючий круг (з товщиною до 4 мм (5/32")) 3. Абразивний відрізнаючий круг (завтовшки 4 мм (5/32")) або більше 4. Внутрішній фланець

Під час встановлення алмазного диска:

- **Рис.24:** 1. Контргайка 2. Алмазний диск (з товщиною до 4 мм (5/32")) 3. Алмазний диск (завтовшки 4 мм (5/32")) або більше 4. Внутрішній фланець

Для моделі, діаметр в якій не 100 мм (4")

Під час встановлення абразивного відрізного круга:

- **Рис.25:** 1. Контргайка 2. Абразивний відрізнаючий круг (з товщиною до 4 мм (5/32")) 3. Абразивний відрізнаючий круг (завтовшки 4 мм (5/32")) або більше 4. Внутрішній фланець

Під час встановлення алмазного диска:

- **Рис.26:** 1. Контргайка 2. Алмазний диск (з товщиною до 4 мм (5/32")) 3. Алмазний диск (завтовшки 4 мм (5/32")) або більше 4. Внутрішній фланець

Установлення чашоподібної дротяної щітки

Додаткове приладдя

▲ОБЕРЕЖНО: Не використовуйте пошкоджену або розбалансовану щітку. Використання пошкодженої щітки може збільшити ризик травмування через контакт із дротами пошкодженої щітки.

Перевірте інструмент, щоб забезпечити легкий доступ до шпинделя.

Зніміть усе приладдя зі шпинделя. Накрутіть чашоподібну дротяну щітку на шпиндель та затягніть за допомогою ключа, що входить до комплексу постачання.

- **Рис.27:** 1. Чашоподібна дротяна щітка

Установлення дискової дротяної щітки

Додаткове приладдя

▲ОБЕРЕЖНО: Не використовуйте пошкоджену або розбалансовану дискову дротяну щітку. Використання пошкодженої дискової дротяної щітки може збільшити ризик травмування через контакт із дротами пошкодженої щітки.

▲ОБЕРЕЖНО: Із дисковою дротяною щіткою **ОБОВ'ЯЗКОВО** використовуйте захисний кожух, який відповідає діаметру диска. Під час використання круг може розколотися, а захисний кожух зменшує ризик травмування.

Перевірте інструмент, щоб забезпечити легкий доступ до шпинделя.

Зніміть усе приладдя зі шпинделя. Накрутіть дискову дротяну щітку на шпиндель та затягніть за допомогою ключів.

- **Рис.28:** 1. Дискова дротяна щітка

Установлення насадки для прорізання отворів

Додаткове приладдя

Перевірте інструмент, щоб забезпечити легкий доступ до шпинделя.

Зніміть усе приладдя зі шпинделя. Накрутіть насадку для прорізання отворів на шпиндель і затягніть, використовуючи ключ із комплексу.

- **Рис.29:** 1. Насадка для прорізання отворів

Установлення пилозахисного кожуха шліфувального круга

Тільки для моделі DGA456 / DGA506

Додаткове приладдя

У разі встановлення додаткових аксесуарів цей інструмент можна використовувати для шліфування бетонних поверхонь.

▲ОБЕРЕЖНО: Пилозахисний кожух призначений лише для шліфування бетонних поверхонь за допомогою алмазного диска зі зсувом. Заборонено використовувати цей кожух з іншим приладдям для різання або для інших потреб.

▲ОБЕРЕЖНО: Перед експлуатацією переконайтеся, що пиლოსос під'єднаний до інструмента та ввімкнений.

Перевірте інструмент і встановіть пилозахисний кожух круга.

Установіть внутрішній фланець на шпиндель.

Установіть чашоподібний алмазний диск на внутрішній фланець і затягніть контргайку на шпинделі.

- **Рис.30:** 1. Контргайка 2. Чашоподібний алмазний диск 3. Чашоподібний алмазний диск із втулкою 4. Внутрішній фланець 5. Пилозахисний кожух круга 6. Корпус підшипника

ПРИМІТКА: Інформацію щодо встановлення пилозахисного кожуха круга дивіться в посібнику з використання пилозахисного кожуха круга.

Установлення пилозахисного кожуха відрізного круга

Додаткове приладдя

У разі встановлення додаткових аксесуарів цей інструмент можна використовувати для різання кам'яних матеріалів.

► Рис.31

ПРИМІТКА: Інформацію щодо встановлення пилозахисного кожуха круга дивіться в посібнику з використання пилозахисного кожуха круга.

РОБОТА

▲ ПОПЕРЕДЖЕННЯ: Не потрібно прикладати силу до інструмента. Вага інструмента забезпечує достатній тиск. Прикладання сили та надмірний тиск можуть призвести до небезпечної поломки круга.

▲ ПОПЕРЕДЖЕННЯ: ОБОВ'ЯЗКОВО замініть круг, якщо інструмент впав під час роботи.

▲ ПОПЕРЕДЖЕННЯ: у жодному разі не вдаряйте диском по робочій деталі.

▲ ПОПЕРЕДЖЕННЯ: Уникайте відскоків та чіплення круга, особливо під час обробки кутів, гострих країв тощо. Це може призвести до втрати контролю та віддачі.

▲ ПОПЕРЕДЖЕННЯ: ЗАБОРОНЕНО використовувати інструмент із ріжучими дисками для деревини та іншими дисками пили. У разі використання на шліфувальних машинах такі диски часто спричиняють віддачу та призводять до втрати контролю та травмування.

▲ ОБЕРЕЖНО: Заборонено вмикати інструмент, коли він торкається робочої деталі, оскільки це може призвести до травмування оператора.

▲ ОБЕРЕЖНО: Під час роботи обов'язково користуйтеся захисними окулярами або захисним щитком.

▲ ОБЕРЕЖНО: Після закінчення роботи обов'язково вимкніть інструмент та зачекайте, поки круг не зупиниться повністю, перш ніж відкладати інструмент.

▲ ОБЕРЕЖНО: ОБОВ'ЯЗКОВО міцно тримайте інструмент однією рукою за корпус, а другою — за бокову рукоятку (ручку).

ПРИМІТКА: Круг подвійного призначення можна використовувати як для шліфування, так і для різання.

Щодо шліфування дивіться розділ «Шліфування абразивним кругом/дискон та абразивним папером», а стосовно різання — розділ «Робота з абразивним відрізним кругом / алмазним диском».

Шліфування абразивним кругом/дискон та абразивним папером

► Рис.32

Увімкніть інструмент та підведіть круг або диск до робочої деталі.

Взагалі слід підтримувати кут близько 15° між краєм круга або диска та поверхнею деталі.

Під час періоду припрацювання нового круга не можна пересувати шліфувальну машину вперед, інакше вона може врізатися в деталь. Щойно край круга стане обточеним від використання, круг можна буде пересувати як вперед, так і назад.

Приклад використання: застосування чашоподібного алмазного диска

► Рис.33

Тримайте інструмент горизонтально й притисніть весь чашоподібний алмазний диск до поверхні, що оброблятиметься.

Робота з абразивним відрізним кругом / алмазним диском

Додаткове приладдя

▲ ПОПЕРЕДЖЕННЯ: Не можна «заклинювати» круг або піддавати його надмірному тиску. Не намагайтеся зробити розріз надмірної глибини. Перенапруження круга збільшує навантаження та здатність до перекошування або застрягання круга у розрізі, а також створює потенційний ризик віддачі, поломки круга та перегрівання двигуна.

▲ ПОПЕРЕДЖЕННЯ: Заборонено розпочинати різання, коли круг знаходиться в деталі. Спочатку круг повинен набрати повну швидкість, а потім його слід обережно ввести у проріз, пересуваючи інструмент уперед над поверхнею деталі. Якщо інструмент запустити, коли круг знаходиться в робочій деталі, круг може застрягти, сіпнутися або спричинити віддачу.

▲ ПОПЕРЕДЖЕННЯ: Під час різання не можна міняти кут нахилу круга. Прикладання бокового тиску до відрізного круга (як під час шліфування) призведе до розтріскування та поломки круга і, як наслідок, до важких травм.

▲ ПОПЕРЕДЖЕННЯ: Алмазний диск необхідно прикладати перпендикулярно до робочої поверхні під час роботи.

Приклад використання: робота з абразивним відрізним кругом

► Рис.34

Приклад використання: робота з алмазним диском

► Рис.35

Робота з чашоподібною дротяною щіткою

Додаткове приладдя

⚠ОБЕРЕЖНО: Перевірте роботу щітки, запустивши інструмент у режимі холостого ходу, наперед переконавшись, що перед щіткою або на одній лінії з нею немає людей.

УВАГА: Не прикладайте надмірний тиск, від якого дроти можуть сильно погнутися під час використання чашоподібною дротяною щіткою. Це може призвести до передчасного виходу з ладу.

Приклад використання: робота із чашоподібною дротяною щіткою

► Рис.36

Робота з дисковою дротяною щіткою

Додаткове приладдя

⚠ОБЕРЕЖНО: Перевірте роботу дискової дротяної щітки, запустивши інструмент у режимі холостого ходу, попередньо переконавшись, що перед щіткою або на одній лінії з нею немає людей.

УВАГА: Не прикладайте надмірний тиск, від якого дроти можуть сильно погнутися під час використання дискової дротяної щітки. Це може призвести до передчасного виходу з ладу.

Приклад використання: робота з дисковою дротяною щіткою

► Рис.37

Застосування насадки для прорізання отворів

Додаткове приладдя

⚠ОБЕРЕЖНО: Перевірте роботу насадки для прорізання отворів, запустивши інструмент у режимі холостого ходу, але перед цим переконайтеся, що перед насадкою для прорізання отворів нікого немає.

УВАГА: Не нахильте інструмент під час роботи. Це може призвести до передчасного виходу з ладу.

Приклад використання: застосування насадки для прорізання отворів

► Рис.38

ТЕХНІЧНЕ ОБСЛУГОВУВАННЯ

⚠ОБЕРЕЖНО: Перед здійсненням перевірки або обслуговування завжди перевіряйте, щоб інструмент був вимкнений, а касета з акумулятором була знята.

УВАГА: Ніколи не використовуйте газолін, бензин, розріджувач, спирт та подібні речовини. Їх використання може призвести до зміни кольору, деформації або появи тріщин.

Для забезпечення БЕЗПЕКИ та НАДІЙНОСТІ продукції, її ремонт, а також роботи з обслуговування або регулювання повинні виконуватись уповноваженими або заводськими сервісними центрами Makita із використанням запчастин виробництва компанії Makita.

Очищення вентиляційних отворів

Необхідно підтримувати чистоту інструмента та його вентиляційних отворів. Очищуйте вентиляційні отвори інструмента регулярно та щоразу, коли вони стають заблокованими.

► Рис.39: 1. Вихідні вентиляційні отвори 2. Вхідні вентиляційні отвори

Зніміть пилозахисну кришку з повітрязабірного вентиляційного отвору та прочистіть її, щоб забезпечити безперешкодну циркуляцію повітря.

► Рис.40: 1. Пилозахисна кришка

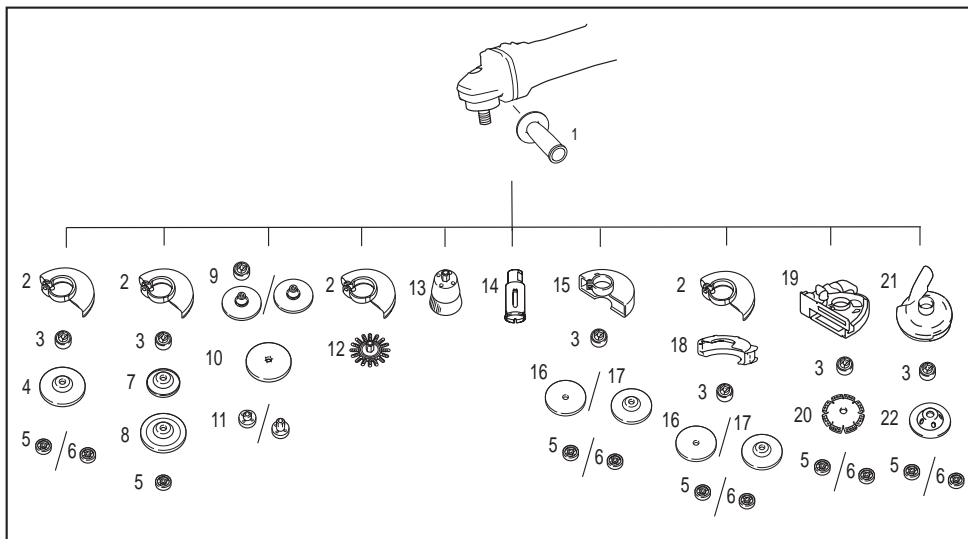
УВАГА: Очищайте пилозахисну кришку в разі налипання на неї пилу або інших сторонніх речовин. Безперервна робота із засміченою пилозахисною кришкою може призвести до пошкодження інструмента.

ВИБІР ПРИЛАДДА ВІДПОВІДНО ДО ЗАСТОСУВАННЯ

Додаткове приладдя

⚠ ОБЕРЕЖНО: Використання інструмента з невідповідними захисними засобами може призвести до небезпечних ситуацій, наведених нижче.

- Якщо для торцевого шліфування використовується захисний кожух відрізного круга, захисний кожух може заважати обробці, заважаючи контролювати інструмент.
- Якщо для різання використовуються абразивні круги зі зв'язкою й алмазні диски та захисний кожух шліфувального круга, існує підвищений ризик торкання кругів, що обертаються, виділення іскор і частинок, а також ризик відлітання осколків круга в разі його розриву.
- Якщо для торцевого шліфування використовуються чашоподібні алмазні диски із захисним кожухом відрізного круга або захисним кожухом шліфувального круга, захисний кожух може заважати обробці та спричинити зниження контролю над інструментом.
- У разі використання захисного кожуха відрізного круга або захисного кожуха шліфувального круга з дисковою дротяною щіткою товщиною більше максимального значення товщини, зазначеного в розділі «ТЕХНІЧНІ ХАРАКТЕРИСТИКИ», дроти можуть чіплятися за захисний кожух і відриватися.
- Використання пилозахисних кожухів круга під час різання та торцевого шліфування бетону або кам'яної поверхні зменшує ризик, пов'язаний із впливом пилу.
- У разі використання фланцевих кругів подвійного призначення (комбінованих шліфувальних і відрізних абразивних кругів) застосовуйте лише захисний кожух відрізного круга.



-	Застосування	Модель 100 мм	Модель 115 мм	Модель 125 мм
1	-	Бокова рукоятка		
2	-	Захисний кожух круга (для шліфувального круга)		
3	-	Внутрішній фланець		
4	Шліфування абразивним кругом / шліфування абразивним папером	Круг із заглибленим центром / пелюстковий диск		
5	-	Контргайка		
6	-	-	Ezy nut *1	
7	-	Підкладка		
8	Шліфування абразивним кругом/диском	Гнучкий круг		

-	Застосування	Модель 100 мм	Модель 115 мм	Модель 125 мм
9	-	Внутрішній фланець і гумова підкладка 76	Гумова підкладка 100	Гумова підкладка 115
10	Шліфування абразивним папером	Абразивний диск		
11	-	Контргайка шліфувального диска		
12	Зачищення металевою щіткою	Дискова дротяна щітка		
13	Зачищення металевою щіткою	Чашоподібна дротяна щітка		
14	Прорізання отворів	Насадка для прорізання отворів		
15	-	Захисний кожух круга (для відрізного круга)		
16	Різання	Абразивний відрізний круг / алмазний диск		
17	Шліфування абразивним кругом / різання	Круг подвійного призначення		
18	-	Насадка захисного кожуха відрізного круга із затискачем *2		
19	-	Пилозахисний кожух відрізного круга *3		
20	Різання	Алмазний диск		
21	-	-	Пилозахисний кожух шліфувального круга *4	
22	Шліфування абразивним кругом/диск	-	Чашоподібний алмазний диск *4	
-	-	Ключ для контргайки		

ПРИМІТКА: *1 Тільки для інструментів із різьбою шпінделя M14.

ПРИМІТКА: *2 У деяких країнах насадка захисного кожуха відрізного круга із затискачем недоступна. Докладнішу інформацію можна знайти в посібнику з використання насадки захисного кожуха відрізного круга із затискачем.

ПРИМІТКА: *3 Докладнішу інформацію можна знайти в посібнику з використання кожного кожуха.

ПРИМІТКА: *4 Тільки для моделі DGA456 / DGA506

Докладнішу інформацію можна знайти в посібнику з використання відповідного кожуха.

ДОДАТКОВЕ ПРИЛАДДЯ

⚠ОБЕРЕЖНО: Це додаткове та допоміжне обладнання рекомендовано використовувати з інструментом Makita, зазначеним у цій інструкції з експлуатації. Використання будь-якого іншого додаткового та допоміжного обладнання може становити небезпеку травмування. Використовуйте додаткове та допоміжне обладнання лише за призначенням.

У разі необхідності отримати допомогу в більш детальному ознайомленні з оснащенням звертайтеся до місцевого сервісного центру Makita.

- Оригінальний акумулятор та зарядний пристрій Makita
- Приладдя, перелічене в розділі «ВИБІР ПРИЛАДДЯ ВІДПОВІДНО ДО ЗАСТОСУВАННЯ»

ПРИМІТКА: Деякі елементи списку можуть входити до комплекту інструмента як стандартне приладдя. Вони можуть відрізнятися залежно від країни.

ТЕХНИЧЕСКИЕ ХАРАКТЕРИСТИКИ

Модель:		DGA406	DGA456	DGA506
Подходящий шлифовальный диск	Макс. диаметр диска	100 мм	115 мм	125 мм
	Макс. толщина диска	6,4 мм	7,2 мм	
Подходящий отрезной диск	Макс. диаметр диска	105 мм	115 мм	125 мм
	Макс. толщина диска	3,2 мм		
Подходящая дисковая проводочная щетка	Макс. диаметр диска	100 мм	115 мм	125 мм
	Макс. толщина диска	20 мм		
Резьба шпинделя		M10	M14 или 5/8дюйма (в зависимости от страны)	
Макс. длина шпинделя		18 мм	23 мм	
Частота вращения без нагрузки (n ₀) / Номинальная частота вращения (n)		8 500 мин ⁻¹		
Общая длина	с BL1840B	362 мм		
Масса нетто		2,2–3,7 кг	2,3–3,8 кг	2,4–3,8 кг
Номинальное напряжение		18 В пост. тока		

- Благодаря нашей постоянно действующей программе исследований и разработок указанные здесь технические характеристики могут быть изменены без предварительного уведомления.
- Технические характеристики могут различаться в зависимости от страны.
- Масса может отличаться в зависимости от дополнительного оборудования. Обратите внимание, что блок аккумулятора также считается дополнительным оборудованием. В таблице представлены комбинации с наибольшим и наименьшим весом в соответствии с процедурой EPTA 01/2014.

Подходящий блок аккумулятора и зарядное устройство

Блок аккумулятора	BL1815N / BL1820B / BL1830B / BL1840B / BL1850B / BL1860B
Зарядное устройство	DC18RC / DC18RD / DC18RE / DC18SE / DC18SF / DC18SH / DC18WC

- В зависимости от региона проживания некоторые блоки аккумуляторов и зарядные устройства, перечисленные выше, могут быть недоступны.

⚠ ОСТОРОЖНО: Используйте только перечисленные выше блоки аккумуляторов и зарядные устройства. Использование других блоков аккумуляторов и зарядных устройств может привести к травме и/или пожару.

Рекомендованный источник электропитания с проводным подключением

Портативный блок питания	PDC01
--------------------------	-------

- В некоторых регионах определенные модели перечисленных выше источников электропитания с проводным подключением могут быть недоступны.
- Перед началом использования источника электропитания с проводным подключением изучите инструкцию и предупреждающие надписи на нем.

Символы

Ниже приведены символы, которые могут использоваться для обозначения оборудования. Перед использованием убедитесь в том, что вы понимаете их значение.



Прочитайте руководство по эксплуатации.



Надевайте защитные очки.



Во время работы обязательно держите инструмент двумя руками.



Не используйте кожух диска для операции резки.



Только для стран ЕС

В связи с наличием в оборудовании опасных компонентов отходы электрического и электронного оборудования, аккумуляторы и батареи могут оказывать негативное влияние на окружающую среду и здоровье человека.

Не выбрасывайте электрические и электронные устройства или батареи вместе с бытовыми отходами!

В соответствии с директивой ЕС по отходам электрического и электронного оборудования, по аккумуляторам, батареям и отходам аккумуляторов и батарей, а также в соответствии с ее адаптацией к национальному законодательству, отходы электрического оборудования, батареи и аккумуляторы следует хранить отдельно и доставлять на пункт раздельного сбора коммунальных отходов, работающий с соблюдением правил охраны окружающей среды.

Это обозначено символом в виде перечеркнутого мусорного контейнера на колесах, нанесенным на оборудование.

Назначение

Инструмент предназначен для шлифовки, зачистки (в том числе проволочной щеткой), вырезания отверстий и резки материалов из металла и камня без использования воды.

Шум

Типичный уровень взвешенного звукового давления (A), измеренный в соответствии с EN62841-2-3:

Модель	Уровень звукового давления ($L_{p(A)}$): (дБ (A))	Уровень звуковой мощности ($L_{w(A)}$): (дБ (A))	Погрешность (K): (дБ (A))
DGA406	83	91	3
DGA456	82	90	3
DGA506	82	90	3

ПРИМЕЧАНИЕ: Заявленное значение распространения шума измерено в соответствии со стандартной методикой испытаний и может быть использовано для сравнения инструментов.

ПРИМЕЧАНИЕ: Заявленное значение распространения шума можно также использовать для предварительных оценок воздействия.

⚠ ОСТОРОЖНО: Используйте средства защиты слуха.

⚠ ОСТОРОЖНО: Распространение шума во время фактического использования электроинструмента может отличаться от заявленного значения в зависимости от способа применения инструмента и в особенности от типа обрабатываемой детали.

⚠ ОСТОРОЖНО: Обязательно определите меры безопасности для защиты оператора, основанные на оценке воздействия в реальных условиях использования (с учетом всех этапов рабочего цикла, таких как выключение инструмента, работа без нагрузки и включение).

⚠ ОСТОРОЖНО: Шлифование тонколистового металла или других легко поддающихся вибрациям структур с большой площадью поверхности может привести к тому, что суммарный уровень шума будет значительно превышать (до 15 дБ) заявленные значения уровня шума.

Во избежание распространения шума от таких обрабатываемых деталей следует прикреплять к ним тяжелые гибкие звукопоглощающие коврики или аналогичные приспособления.

Повышенный уровень шума следует учитывать как при оценке риска, связанного с воздействием шума, так и при выборе надлежащих средств защиты органов слуха.

Вибрация

Суммарное значение вибрации (сумма векторов по трем осям), определенное в соответствии с EN62841-2-3:

Рабочий режим: шлифование поверхности с использованием обычной боковой ручки

Модель	Распространение вибрации ($a_{h(LA)}$): (m/c^2)	Погрешность (K): (m/c^2)
DGA406	4,5	1,5
DGA456	6,5	1,5
DGA506	6,5	1,5

Рабочий режим: шлифование поверхности с использованием антивибрационной боковой ручки

Модель	Распространение вибрации ($a_{H, A(d)}$) : (m/c^2)	Погрешность (K): (m/c^2)
DGA406	4,0	1,5
DGA456	6,0	1,5
DGA506	6,0	1,5

Рабочий режим: шлифование с использованием обычной боковой ручки

Модель	Распространение вибрации ($a_{H, DS}$) : (m/c^2)	Погрешность (K): (m/c^2)
DGA406	2,5 m/c^2 или менее	1,5
DGA456	2,5 m/c^2 или менее	1,5
DGA506	2,5 m/c^2 или менее	1,5

Рабочий режим: шлифование с использованием антивибрационной боковой ручки

Модель	Распространение вибрации ($a_{H, DS}$) : (m/c^2)	Погрешность (K): (m/c^2)
DGA406	2,5 m/c^2 или менее	1,5
DGA456	2,5 m/c^2 или менее	1,5
DGA506	2,5 m/c^2 или менее	1,5

ПРИМЕЧАНИЕ: Заявленное общее значение распространения вибрации измерено в соответствии со стандартной методикой испытаний и может быть использовано для сравнения инструментов.

ПРИМЕЧАНИЕ: Заявленное общее значение распространения вибрации можно также использовать для предварительных оценок воздействия.

⚠ ОСТОРОЖНО: Распространение вибрации во время фактического использования электроинструмента может отличаться от заявленного значения в зависимости от способа применения инструмента и в особенности от типа обрабатываемой детали.

⚠ ОСТОРОЖНО: Обязательно определите меры безопасности для защиты оператора, основанные на оценке воздействия в реальных условиях использования (с учетом всех этапов рабочего цикла, таких как выключение инструмента, работа без нагрузки и включение).

⚠ ОСТОРОЖНО: Заявленное значение распространения вибрации относится к основным операциям, выполняемым с помощью электроинструмента. Однако если электроинструмент используется для других целей, уровень вибрации может отличаться.

Декларация о соответствии ЕС

Только для европейских стран

Декларация о соответствии ЕС включена в руководство по эксплуатации (Приложение А).

МЕРЫ БЕЗОПАСНОСТИ

Общие рекомендации по технике безопасности для электроинструментов

⚠ ОСТОРОЖНО Ознакомьтесь со всеми инструкциями по технике безопасности, указаниями, иллюстрациями и техническими характеристиками, прилагаемыми к данному электроинструменту. Несоблюдение всех приведенных далее инструкций может привести к поражению электрическим током, возгоранию и/или тяжелым травмам.

Сохраните брошюру с инструкциями и рекомендациями для дальнейшего использования.

Термин "электроинструмент" в предупреждениях относится ко всему инструменту, работающему от сети (с проводом) или на аккумуляторах (без провода).

Правила техники безопасности при эксплуатации аккумуляторной шлифовальной машины

Общие предупреждения о правилах техники безопасности при выполнении шлифования абразивным диском, абразивной бумагой, проволочной щеткой или операций резки:

1. Данный электроинструмент предназначен для шлифования абразивным диском, абразивной бумагой, проволочной щеткой, вырезания отверстий или операций резки. Ознакомьтесь со всеми инструкциями по технике безопасности, указаниями, иллюстрациями и техническими характеристиками, прилагаемыми к данному электроинструменту. Несоблюдение всех приведенных далее инструкций может привести к поражению электрическим током, возгоранию и/или тяжелым травмам.

2. Данный электроинструмент не предназначен для выполнения таких операций, как полировка. Использование электроинструмента не по назначению может привести к опасной ситуации и причинить травму.
 3. Не перепрофилируйте данный электроинструмент в целях выполнения операций, для которых он не предназначен и которые не предусмотрены его производителем. Такое перепрофилирование может привести к потере контроля с причинением тяжелой травмы.
 4. Не используйте насадки других производителей, не предназначенные для данного инструмента и не указанные его производителем. Даже если такую насадку удастся закрепить на электроинструменте, это не обеспечит безопасность его эксплуатации.
 5. Номинальная скорость насадки должна быть как минимум равна максимальной скорости, обозначенной на электроинструменте. При вращении насадки со скоростью выше номинальной она может разломиться на части.
 6. Внешний диаметр и толщина насадки должны соответствовать номинальной мощности электроинструмента. Неверно подобранные по размеру насадки не гарантируют безопасности и точности управления.
 7. Размеры крепления насадки должны соответствовать размерам крепежного приспособления электроинструмента. Установка насадок, не соответствующих крепежному приспособлению электроинструмента, приведет к разбалансировке, чрезмерной вибрации и возможной потере контроля.
 8. Не используйте поврежденные насадки. Перед каждым использованием насадок типа абразивных дисков проверяйте их на наличие сколов и трещин, проверяйте подошвы на наличие трещин, задиоров или чрезмерного износа, а проволочные щетки – на наличие выпавших или сломанных кусков проволоки. В случае падения электроинструмента или насадки убедитесь в отсутствии на них повреждений или установите неповрежденную насадку. После осмотра и установки насадки включите электроинструмент на максимальной скорости без нагрузки на одну минуту; при этом следите, чтобы вы сами и окружающие находились на безопасном расстоянии от плоскости вращения принадлежности. Поврежденная насадка обычно ломается в течение такого пробного периода.
 9. Используйте индивидуальные средства защиты. В зависимости от выполняемых операций используйте защитную маску или защитные очки. При необходимости надевайте респиратор, средство защиты органов слуха, перчатки и рабочий фартук для защиты от мелких частиц абразивных материалов или обрабатываемой детали. Средства защиты органов зрения должны предохранять от летящих фрагментов, образующихся при использовании инструмента в различных целях. Пылезащитная маска или респиратор должны обеспечивать фильтрацию частиц, образующихся при использовании инструмента в конкретных целях. Продолжительное воздействие сильного шума может вызвать потерю слуха.
 10. Посторонние лица должны находиться на безопасном расстоянии от рабочей зоны. Любый приближающийся к рабочему месту человек должен предварительно надеть индивидуальные средства защиты. Фрагменты обрабатываемой детали или сломавшейся насадки могут разлететься и причинить травму даже на значительном удалении от рабочего места.
 11. Если при выполнении работ возможен контакт режущего инструмента со скрытой электропроводкой, держите электроинструмент только за специальные изолированные поверхности. В случае контакта с находящимся под напряжением проводом напряжение передается на металлические детали электроинструмента, что может привести к поражению оператора электрическим током.
 12. Ни в коем случае не кладите электроинструмент до полной остановки насадки. Вращающаяся насадка может коснуться поверхности и вывести электроинструмент из-под контроля.
 13. Не включайте электроинструмент во время переноски. Случайный контакт с вращающейся насадкой может привести к заземлению одежды и притягиванию насадки к телу.
 14. Регулярно прочищайте вентиляционные отверстия электроинструмента. Вентилятор электродвигателя засасывает пыль внутрь корпуса, а значительные скопления металлической пыли могут привести к поражению электрическим током.
 15. Не используйте электроинструмент вблизи легковоспламеняющихся материалов. Эти материалы могут воспламениться от искр.
 16. Не используйте насадки, требующие жидкостного охлаждения. Использование воды или других охлаждающих жидкостей может привести к поражению электрическим током, в том числе смертельному.
- Отдача и соответствующие предупреждения:**
 Отдача – это мгновенная реакция на неожиданное застопоривание вращающегося диска, подошвы, щетки или другой принадлежности. Зажимание или застопоривание вызывает резкий останов вращающейся принадлежности, что, в свою очередь, приводит к неконтролируемому рывку электроинструмента в направлении, противоположном вращению принадлежности в момент застревания. Например, если абразивный диск зажимается или прихватывается деталью, то край диска, находящийся в точке заклинивания, может углубиться в поверхность детали, что приведет к выкатыванию или выскакиванию диска. Диск может совершить рывок в направлении оператора или обратно, в зависимости от направления движения диска в точке заклинивания. Также в этих условиях абразивные диски могут разламываться.
 Отдача – это результат неправильного использования электроинструмента и/или неправильных методов или условий работ, чего можно избежать, соблюдая нижеуказанные меры предосторожности.

1. **Крепко держите электроинструмент обеими руками и располагайте свое тело и руки так, чтобы можно было сопротивляться силам отдачи. Обязательно пользуйтесь вспомогательной рукояткой (при наличии), чтобы обеспечить максимальный контроль над отдачей или крутящим моментом во время пуска.** Оператор способен справиться с крутящим моментом и силами отдачи при условии соблюдения соответствующих мер безопасности.
2. **Ни в коем случае не располагайте руки вблизи вращающейся насадки.** При отдаче насадка может задеть руки.
3. **Не становитесь на возможной траектории движения электроинструмента в случае отдачи.** При отдаче инструмент сместится в направлении, противоположном вращению диска в момент застревания.
4. **Соблюдайте особую осторожность при обработке углов, острых краев и т. п.** Не допускайте подпрыгивания и защемления насадки. Углы, острые края и подпрыгивание способствуют защемлению вращающейся насадки, которое приводит к выходу из-под контроля или отдаче.
5. **Не устанавливайте на инструмент пильную цепь, принадлежность для резьбы по дереву, сегментированный алмазный диск с периферийным зазором более 10 мм или пильный диск.** Такие диски часто дают отдачу и приводят к потере контроля.

Специальные предупреждения о безопасности для операций шлифования и резки:

1. **Используйте диски только указанных для вашего электроинструмента типов и специальные защитные приспособления, предназначенные для выбранного диска.** Диски, не предназначенные для данного электроинструмента, не обеспечивают достаточную степень защиты и небезопасны.
2. **Шлифовальная поверхность дисков с утолщенным центром должна быть установлена под плоской поверхностью кромки кожуха.** Для неправильно установленного диска, выступающего над плоской поверхностью кромки кожуха, надлежащая защита не гарантируется.
3. **Кожух должен быть надежно закреплен на электроинструменте и расположен для обеспечения максимальной защиты таким образом, чтобы как можно меньший сегмент диска выступал в сторону оператора.** Кожух помогает обезопасить оператора от разлета осколков разрушившегося диска, случайного прикосновения к диску и искр, которые могут воспламенить одежду.
4. **Диски должны использоваться только по указанному назначению.** Например: не шлифуйте край отрезного диска. Абразивные отрезные диски предназначены для периферийного шлифования; боковые усилия, приложенные к таким дискам, могут вызвать их разрушение.
5. **Используйте только неповрежденные фланцы для дисков соответствующего размера и формы.** Подходящие фланцы поддерживают диск, снижая вероятность его повреждения. Фланцы для отрезных дисков могут отличаться от фланцев для шлифовальных дисков.
6. **Не используйте изношенные диски от более крупных электроинструментов.** Диск, предназначенный для более мощного электроинструмента, не подходит для высокоскоростного электроинструмента меньшей мощности и может разломиться.
7. **При использовании дисков двойного назначения обязательно используйте кожух, подходящий для выполняемой операции.** Использование неподходящего кожуха не обеспечивает нужного уровня защиты, что может привести к тяжелой травме.

Дополнительные предупреждения о безопасности в отношении операций резки:

1. **Не “заклинивайте” отрезной диск и не прикладывайте к нему чрезмерное давление. Не пытайтесь делать слишком глубокий разрез.** Перенапряжение диска увеличивает нагрузку и вероятность искривления или застревания диска в прорези, а также отдачи или поломки диска.
2. **Не становитесь на возможной траектории движения вращающегося диска и позади него.** Если во время работы диск движется от вас, то при отдаче вращающийся диск и электроинструмент может отбросить прямо на вас.
3. **Если диск застревает или процесс резания прерывается по какой-либо причине, выключите электроинструмент и держите его неподвижно до полной остановки диска. Не пытайтесь извлечь отрезной диск из разреза до полной остановки диска, в противном случае может возникнуть отдача.** Выясните и устраните причину застревания диска.
4. **Не перезапускайте отрезной диск, пока он находится в детали.** Дождитесь, пока диск разовьет максимальную скорость, и осторожно погрузите его в разрез. Если перезапустить электроинструмент непосредственно в обрабатываемой детали, то диск может застрять, а отдача может отбросить его вверх или назад.
5. **Устанавливайте опоры под панели или крупные детали, чтобы минимизировать опасность застревания диска и возникновения отдачи.** Крупные детали обычно прогибаются под собственным весом. Опоры должны помещаться под разрезаемой деталью рядом с линией разреза и рядом с краем детали с обеих сторон от диска.
6. **Будьте особенно осторожны при выполнении “врезки” в имеющихся стенах или на других участках, недоступных для осмотра.** Выступающая часть диска может перерезать газовые или водопроводные трубы, электропроводку или другие предметы, что может вызвать отдачу.
7. **Не пытайтесь делать криволинейные разрезы.** Перенапряжение диска увеличивает нагрузку и вероятность искривления или застревания диска в прорези, а также отдачи или поломки диска, что может причинить тяжелую травму.

8. Перед использованием сегментированного алмазного диска убедитесь, что периферийный зазор между сегментами алмазного диска не превышает 10 мм, только с отрицательным передним углом наклона.
10. Соблюдайте инструкции изготовителя по правильной установке и использованию дисков. Бережно обращайтесь с дисками и аккуратно храните их.

Специальные инструкции по технике безопасности для выполнения шлифовальных операций:

1. Используйте круглую наждачную бумагу надлежащего размера. При выборе наждачной бумаги следуйте рекомендациям производителя. При использовании наждачной бумаги большего размера, при котором она слишком сильно выступает за края подложки, существует опасность разрыва бумаги, а также возможность защемления, разрушения круга или отдачи.

Специальные инструкции по технике безопасности в отношении операций очистки проволочной щеткой:

1. Берегитесь кусков проволоки, разлетающихся от щетки даже в нормальном режиме работы. Не прикладывайте чрезмерное усилие к проволоке, слишком сильно нажимая на щетку. Куски проволоки могут легко пробить легкую одежду и/или кожу.
2. Если для очистки проволочными щетками предписано использовать кожу, не допускайте контакта проволочного диска или щетки с кожухом. Проволочный диск или щетка могут увеличиваться в диаметре под воздействием нагрузки и центробежных сил.

Дополнительные правила техники безопасности:

1. При применении дисков с утолщенным центром используйте только диски, армированные стекловолокном.
2. **ЗАПРЕЩАЕТСЯ ИСПОЛЬЗОВАТЬ** с этим инструментом шлифовальные чашки для камня. Данная шлифмашина не предназначена для дисков такого типа, их использование может привести к тяжелой травме.
3. Будьте осторожны во избежание повреждения шпинделя, фланца (особенно его установочной поверхности) или контргайки. Повреждения этих деталей могут привести к поломке диска.
4. Перед включением выключателя убедитесь, что диск не касается детали.
5. Перед использованием инструмента на реальной детали дайте ему немного поработать вхолостую. Следите за вибрацией или биением, которые могут свидетельствовать о неправильной установке или плохой балансировке диска.
6. Для выполнения шлифования пользуйтесь соответствующей поверхностью диска.
7. Не оставляйте работающий инструмент без присмотра. Включайте инструмент только тогда, когда он находится в руках.
8. Сразу после окончания работ не прикасайтесь к обработанной детали. Она может быть очень горячей, что приведет к ожогам кожи.
9. Сразу после окончания работ не прикасайтесь к вспомогательным деталям. Они могут быть очень горячими, что приведет к ожогам кожи.

11. Не пользуйтесь отдельными переходными втулками или адаптерами для крепления абразивных дисков с большими отверстиями.
12. Пользуйтесь только фланцами, предназначенными для данного инструмента.
13. Для инструментов, предназначенных для использования дисков с резьбовым отверстием, убедитесь, что резьба диска достаточна, чтобы диск можно было полностью завернуть на шпиндель.
14. Убедитесь, что обрабатываемая деталь имеет надлежащую опору.
15. Обратите внимание на то, что диск будет некоторое время вращаться после выключения инструмента.
16. Если в месте выполнения работ очень высокая температура и влажность или наблюдается большое количество токопроводящей пыли, используйте прерыватель цепи (30 мА) для обеспечения безопасности работ.
17. Не используйте инструмент на любых материалах, содержащих асбест.
18. При использовании отрезного диска обязательно работайте с защитным кожухом с пылеотводом, если его установка необходима в соответствии с местными нормативными требованиями.
19. Не подвергайте отрезные круги какому-либо боковому давлению.
20. Не пользуйтесь тканевыми перчатками во время работы. Волокна от тканевых перчаток могут попасть в инструмент и привести к его поломке.
21. Перед началом работы убедитесь в том, что под поверхностью обрабатываемой детали не проходят линии электроснабжения, водопроводы или газопроводы. Несоблюдение данного требования может привести к поражению электрическим током, утечке электрического тока или газа.
22. Если к диску прикреплена прокладка, не снимайте ее. Диаметр прокладки должен превышать размеры контргайки, наружного фланца и внутреннего фланца.
23. Перед установкой шлифовального диска обязательно проверяйте, чтобы прокладка не имела никаких дефектов, в частности отколотых частей или трещин.
24. Затягивайте контргайку с надлежащим усилием. В случае перетягивания диска возможна его поломка, а недостаточное затягивание может привести к возникновению вибраций.

**СОХРАНИТЕ ДАННЫЕ
ИНСТРУКЦИИ.**

▲ОСТОРОЖНО: НЕ ДОПУСКАЙТЕ, чтобы удобство или опыт эксплуатации данного устройства (полученный от многократного использования) доминировали над строгим соблюдением правил техники безопасности при обращении с этим устройством. **НЕПРАВИЛЬНОЕ ИСПОЛЬЗОВАНИЕ** инструмента или несоблюдение правил техники безопасности, указанных в данном руководстве, может привести к тяжелой травме.

Важные правила техники безопасности для работы с аккумуляторным блоком

1. Перед использованием аккумуляторного блока прочитайте все инструкции и предупреждающие надписи на (1) зарядном устройстве, (2) аккумуляторном блоке и (3) инструменте, работающем от аккумуляторного блока.
2. Не разбирайте блок аккумулятора и не меняйте его конструкцию. Это может привести к пожару, перегреву или взрыву.
3. Если время работы аккумулятора блока значительно сократилось, немедленно прекратите работу. В противном случае, может возникнуть перегрев блока, что приведет к ожогам и даже к взрыву.
4. В случае попадания электролита в глаза промойте их обильным количеством чистой воды и немедленно обратитесь к врачу. Это может привести к потере зрения.
5. Не замыкайте контакты аккумуляторного блока между собой:
 - (1) Не прикасайтесь к контактам какими-либо токопроводящими предметами.
 - (2) Не храните аккумуляторный блок в контейнере вместе с другими металлическими предметами, такими как гвозди, монеты и т. п.
 - (3) Не допускайте попадания на аккумуляторный блок воды или дождя.Замыкание контактов аккумуляторного блока между собой может привести к возникновению большого тока, перегреву, возможным ожогам и даже поломке блока.
6. Не храните и не используйте инструмент и аккумуляторный блок в местах, где температура может достигать или превышать 50 °C (122 °F).
7. Не бросайте аккумуляторный блок в огонь, даже если он сильно поврежден или полностью вышел из строя. Аккумуляторный блок может взорваться под действием огня.
8. Запрещено вбивать гвозди в блок аккумулятора, резать, ломать, бросать, ронять блок аккумулятора или ударять его твердым предметом. Это может привести к пожару, перегреву или взрыву.
9. Не используйте поврежденный аккумуляторный блок.

10. Входящие в комплект литий-ионные аккумуляторы должны эксплуатироваться в соответствии с требованиями законодательства об опасных товарах.

При коммерческой транспортировке, например, третьей стороной или экспедитором, необходимо нанести на упаковку специальные предупреждения и маркировку.

В процессе подготовки устройства к отправке обязательно проконсультируйтесь со специалистом по опасным материалам. Также соблюдайте местные требования и нормы. Они могут быть строже. Закройте или закрепите разомкнутые контакты и упакуйте аккумулятор так, чтобы он не перемещался по упаковке.

11. Для утилизации блока аккумулятора извлеките его из инструмента и утилизируйте безопасным способом. Выполняйте требования местного законодательства по утилизации аккумулятора блока.
12. Используйте аккумуляторы только с продукцией, указанной Makita. Установка аккумуляторов на продукцию, не соответствующую требованиям, может привести к пожару, перегреву, взрыву или утечке электролита.
13. Если инструментом не будут пользоваться в течение длительного периода времени, извлеките аккумулятор из инструмента.
14. Во время и после использования блок аккумулятора может нагреваться, что может стать причиной ожогов или низкотемпературных ожогов. Будьте осторожны при обращении с горячим блоком аккумулятора.
15. Не прикасайтесь к контактам инструмента сразу после использования, поскольку они могут быть достаточно горячими, чтобы вызвать ожоги.
16. Не допускайте налипания на контакты, отверстия и пазы блока аккумулятора опилок, пыли или земли. Это может стать причиной перегрева, возгорания, взрыва или неисправности инструмента или блока аккумулятора, что может привести к ожогам или травмам.
17. Если инструмент не рассчитан на использование вблизи высоковольтных линий электропередач, не используйте блок аккумулятора вблизи высоковольтных линий электропередач. Это может привести к неисправности, поломке инструмента или блока аккумулятора.
18. Храните аккумулятор в недоступном для детей месте.

СОХРАНИТЕ ДАННЫЕ ИНСТРУКЦИИ.

▲ВНИМАНИЕ: Используйте только фирменные аккумуляторные батареи Makita.

Использование аккумуляторных батарей, не произведенных Makita, или батарей, которые были подвергнуты модификациям, может привести к взрыву аккумулятора, пожару, травмам и повреждению имущества. Это также автоматически аннулирует гарантию Makita на инструмент и зарядное устройство Makita.

Советы по обеспечению максимального срока службы аккумулятора

1. Заряжайте блок аккумулятора перед его полной разрядкой. Обязательно прекратите работу с инструментом и зарядите блок аккумуляторов, если вы заметили снижение мощности инструмента.
2. Никогда не подзаряжайте полностью заряженный блок аккумуляторов. Перезарядка сокращает срок службы аккумулятора.
3. Заряжайте блок аккумуляторов при комнатной температуре в 10 - 40 °C (50 - 104 °F). Перед зарядкой горячего блока аккумуляторов дайте ему остыть.
4. Если блок аккумулятора не используется, извлеките его из инструмента или зарядного устройства.
5. Зарядите ионно-литиевый аккумуляторный блок, если вы не будете пользоваться инструментом длительное время (более шести месяцев).

ОПИСАНИЕ РАБОТЫ

⚠ ВНИМАНИЕ: Перед регулировкой или проверкой функций инструмента обязательно убедитесь, что он выключен и его аккумуляторный блок снят.

Установка или снятие блока аккумуляторов

⚠ ВНИМАНИЕ: Обязательно выключайте инструмент перед установкой и извлечением аккумуляторного блока.

⚠ ВНИМАНИЕ: При установке и извлечении аккумуляторного блока крепко удерживайте инструмент и аккумуляторный блок. Если не соблюдать это требование, они могут выскользнуть из рук, что приведет к повреждению инструмента, аккумуляторного блока и травмированию оператора.

► **Рис.1:** 1. Красный индикатор 2. Кнопка 3. Блок аккумулятора

Для снятия аккумуляторного блока нажмите кнопку на лицевой стороне и извлеките блок.

Для установки блока аккумулятора совместите выступ блока аккумулятора с пазом в корпусе и задвиньте его на место. Устанавливайте блок до упора, чтобы он зафиксировался с небольшим щелчком. Если вы видите красный индикатор, как показано на рисунке, он не зафиксирован полностью.

⚠ ВНИМАНИЕ: Обязательно устанавливайте блок аккумулятора до конца, чтобы красный индикатор не был виден. В противном случае блок аккумулятора может выпасть из инструмента и нанести травму вам или другим людям.












⚠ ВНИМАНИЕ: Не прилагайте чрезмерных усилий при установке аккумуляторного блока. Если блок не движется свободно, значит он вставлен неправильно.

Индикация оставшегося заряда аккумулятора

Только для блоков аккумулятора с индикатором

► **Рис.2:** 1. Индикаторы 2. Кнопка проверки

Нажмите кнопку проверки на аккумуляторном блоке для проверки заряда. Индикаторы загорятся на несколько секунд.

Индикаторы			Уровень заряда
 Горит	 Выкл.	 Мигает	
			от 75 до 100%
			от 50 до 75%
			от 25 до 50%
			от 0 до 25%
			Зарядите аккумуляторную батарею.
 ↑ ↓			Возможно, аккумуляторная батарея неисправна.

ПРИМЕЧАНИЕ: В зависимости от условий эксплуатации и температуры окружающего воздуха индикация может незначительно отличаться от фактического значения.

ПРИМЕЧАНИЕ: Первая (дальняя левая) индикаторная лампа будет мигать во время работы защитной системы аккумулятора.

Индикация оставшегося заряда аккумулятора

В зависимости от страны

При включении инструмента индикатор аккумулятора показывает оставшуюся емкость аккумулятора.

► **Рис.3:** 1. Индикатор аккумулятора

Оставшаяся емкость аккумулятора приведена в следующей таблице.

Состояние индикатора аккумуляторной батареи			Уровень заряда аккумулятора
 Вкл.	 Выкл.	 Мигает	
			от 50% до 100%
			от 20% до 50%
			от 0% до 20%
			Зарядите аккумулятор

Система защиты инструмента/ аккумулятора




На инструменте предусмотрена система защиты инструмента/аккумулятора. Она автоматически отключает питание двигателя для продления срока службы инструмента и аккумулятора. Инструмент автоматически остановится во время работы в следующих случаях:

Защита от перегрузки

Если из-за способа эксплуатации инструмент потребляет очень большое количество тока, он автоматически остановится без включения каких-либо индикаторов. В этом случае выключите инструмент и прекратите работу, повлекшую перегрузку инструмента. Затем включите инструмент для перезапуска.

Защита от перегрева

В случае перегрева инструмента он автоматически выключается и индикатор аккумулятора показывает следующее состояние. В таком случае дайте инструменту остыть, прежде чем вновь запустить его.

 Вкл.	 Мигает
	





Если инструмент не включается, значит, перегрелся аккумулятор. В этом случае дайте аккумулятору остыть перед повторным включением инструмента.

Защита от переразрядки

При истощении емкости аккумулятора инструмент автоматически останавливается. В этом случае извлеките аккумулятор из инструмента и зарядите его.

Выключение защитной блокировки

Если защитная система постоянно срабатывает, инструмент блокируется и индикатор аккумулятора показывает следующее состояние. В этой ситуации инструмент не запустится даже при выключении и повторном включении. Чтобы выключить защитную блокировку, извлеките аккумулятор, установите его в зарядное устройство и дождитесь окончания зарядки.

 Вкл.	 Выкл.	 Мигает
		

Защита от других неполадок

Система защиты также обеспечивает защиту от других неполадок, способных повредить инструмент, и обеспечивает автоматическую остановку инструмента. В случае временной остановки или прекращения работы инструмента выполните все перечисленные ниже действия для устранения причины остановки.

1. Выключите и снова включите инструмент для его перезапуска.
2. Зарядите аккумулятор(-ы) или замените его(их) заряженным(-и).
3. Дайте инструменту и аккумулятору(-ам) остыть.

Если после возврата системы защиты в исходное состояние ситуация не изменится, обратитесь в сервисный центр Makita.

Фиксатор вала

⚠ОСТОРОЖНО: Ни в коем случае не задевайте фиксатор вала при вращающемся шпинделе. Это может вызвать тяжелую травму или вывести инструмент из строя.

Нажмите на фиксатор вала для предотвращения вращения шпинделя при установке или снятии дополнительных принадлежностей.

► **Рис.4:** 1. Фиксатор вала

Действие выключателя

⚠ВНИМАНИЕ: Перед тем как устанавливать блок аккумулятора в инструмент, следует всегда проверять, чтобы ползунковый переключатель работал надлежащим образом и возвращался в положение “ВЫКЛ” при нажатии на заднюю часть ползункового переключателя.

⚠ВНИМАНИЕ: В случае продолжительной работы для удобства оператора переключатель можно зафиксировать в положении “ВКЛ.”. Соблюдайте осторожность при фиксации инструмента в положении “ВКЛ.” и крепко удерживайте инструмент.

Для запуска инструмента нажмите на заднюю часть ползункового переключателя, после чего передвиньте его в положение "I (ВКЛ.)". Для непрерывной работы нажмите на переднюю часть ползункового переключателя, чтобы зафиксировать его.

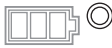

► **Рис.5:** 1. Ползунковый переключатель

Для остановки инструмента нажмите на заднюю часть ползункового переключателя, чтобы он вернулся в положение "O (ВЫКЛ.)".

► **Рис.6:** 1. Ползунковый переключатель

Функция автоматического изменения скорости

► **Рис.7:** 1. Индикатор режима

Состояние индикатора режима	Режим работы
	Режим высокой скорости
	Режим высокого крутящего момента

В данном инструменте предусмотрен "режим высокой скорости" и "режим высокого крутящего момента". Он автоматически меняет режим работы в зависимости от нагрузки. Если во время работы включается индикатор режима, инструмент находится в режиме высокого крутящего момента.

Функция предотвращения случайного запуска

При установке блока аккумулятора с ползунковым переключателем в положении ВКЛ инструмент не запускается.

Для запуска инструмента переведите переключатель в положение ВЫКЛ и включите его снова.

Функция распознавания активной обратной связи

С помощью электронного устройства инструмент определяет, что существует риск защемления диска или другой принадлежности. При выявлении таких рисков инструмент автоматически отключается для предотвращения дальнейшего вращения шпинделя (это не предотвращает отдачу).

Чтобы перезапустить инструмент, сначала отключите его. Устраните причину внезапного снижения скорости вращения и вновь включите инструмент.

Функция плавного запуска

Функция плавного запуска снижает начальный рывок инструмента.

Электрический тормоз

Электрический тормоз активируется после выключения инструмента.

Тормоз не активируется, если питание отключено (например при извлеченном аккумуляторе), а переключатель находится в положении Вкл.

СБОРКА

▲ВНИМАНИЕ: Перед регулировкой или проверкой функций инструмента обязательно убедитесь, что он выключен и его аккумуляторный блок снят.

Установка боковой ручки (рукоятки)

▲ВНИМАНИЕ: Перед работой всегда проверяйте надежность крепления боковой ручки.

Прочно закрепите боковую ручку на месте винтом, как показано на рисунке.

► **Рис.8**

Установка или снятие защитного кожуха (для диска с утопленным центром, откидного круга, гибкого диска, дисковой проволочной щетки / абразивного отрезного диска, алмазного диска)

▲ОСТОРОЖНО: При использовании диска с утопленным центром, откидного круга, гибкого диска или дисковой проволочной щетки установите защитный кожух так, чтобы закрытая сторона кожуха была направлена к оператору.

▲ОСТОРОЖНО: При использовании абразивного отрезного диска/алмазного диска может применяться только специальный защитный кожух, предназначенный для отрезных дисков.

Для инструмента с кожухом диска со стопорным винтом

Установите защитный кожух так, чтобы выступы на его хомуте совместились с пазами на коробке подшипника. Затем установите кожух диска под таким углом, чтобы во время работы он защищал оператора. Проверьте, чтобы винт был надежно затянут. Для снятия кожуха диска выполните процедуру установки в обратном порядке.

► **Рис.9:** 1. Кожух диска 2. Коробка подшипника 3. Винт

Для инструмента с кожухом диска с зажимным рычагом

Ослабьте винт и потяните рычаг в направлении, указанном стрелкой. Установите защитный кожух так, чтобы выступы на его хомуте совместились с пазами на коробке подшипника. Затем установите кожух диска под таким углом, чтобы во время работы он защищал оператора

► **Рис.10:** 1. Кожух диска 2. Коробка подшипника 3. Винт 4. Рычаг

Потяните рычаг в направлении, указанном стрелкой. Затем зафиксируйте кожух диска, затянув винт. Проверьте, чтобы винт был надежно затянут. Регулировка установочного угла кожуха диска выполняется при помощи рычага.

► **Рис.11:** 1. Винт 2. Рычаг

Для снятия кожуха диска выполните процедуру установки в обратном порядке.

Пристежная насадка на кожух отрезного диска

Дополнительные принадлежности

ПРИМЕЧАНИЕ: Для операций резки кожух диска (для шлифовального диска) может использоваться с пристежной насадкой на кожух отрезного диска.

В некоторых странах эта возможность недоступна.

► Рис.12

Установка и снятие диска с утопленным центром или откидного круга

Дополнительные принадлежности

▲ОСТОРОЖНО: При использовании диска с утопленным центром или откидного круга кожух диска должен быть установлен так, чтобы его закрытая сторона была обращена к оператору.

▲ОСТОРОЖНО: Убедитесь, что крепежный компонент внутреннего фланца идеально совпадает с внутренним диаметром диска с утопленным центром/откидного круга. Установка внутреннего фланца не с той стороны может привести к возникновению опасной вибрации.

Установите на шпindelь внутренний фланец. Убедитесь, что часть с выемкой внутреннего фланца установлена на ровный участок у нижней части шпинделя.

Установите диск с утопленным центром/откидной круг на внутренний фланец и закрутите контргайку на шпинделе.

► Рис.13: 1. Контргайка 2. Диск с утопленным центром 3. Внутренний фланец 4. Крепежный компонент

Для затяжки контргайки сильно надавите на фиксатор вала, чтобы шпindelь не проворачивался, затем воспользуйтесь ключом контргайки и крепко затяните ее по часовой стрелке.

► Рис.14: 1. Ключ контргайки 2. Фиксатор вала

Для снятия диска выполните процедуру установки в обратном порядке.

Установка и снятие гибкого диска

Дополнительные принадлежности

▲ОСТОРОЖНО: При установке на инструмент гибкого диска обязательно используйте прилагаемый кожух. Во время работы диск может разрушиться. Защитный кожух снизит риск получения травмы.

► Рис.15: 1. Контргайка 2. Гибкий диск 3. Вспомогательная подушка 4. Внутренний фланец

Следуйте указаниям для диска с утопленным центром, а также установите над диском вспомогательную подушку.

Установка или снятие абразивного круга

Дополнительные принадлежности

ПРИМЕЧАНИЕ: Используйте принадлежности для шлифования, указанные в данном руководстве. Их необходимо приобретать отдельно.

Для модели 100 мм (4 дюйма)

► Рис.16: 1. Шлифовальная контргайка 2. Абразивный круг 3. Резиновая подушка 4. Внутренний фланец

1. Установите на шпindelь внутренний фланец.
2. Установите резиновую подушку на шпindelь.
3. Установите круг на резиновую подушку и наведите на шпindelь шлифовальную контргайку.
4. Закрепите шпindelь с помощью фиксатора вала и надежно затяните шлифовальную контргайку по часовой стрелке с помощью ключа.

Для снятия круга выполните процедуру установки в обратном порядке.

Для моделей кроме 100 мм (4 дюйма)

► Рис.17: 1. Шлифовальная контргайка 2. Абразивный круг 3. Резиновая подушка

1. Установите резиновую подушку на шпindelь.
2. Установите круг на резиновую подушку и наведите на шпindelь шлифовальную контргайку.
3. Закрепите шпindelь с помощью фиксатора вала и надежно затяните шлифовальную контргайку по часовой стрелке с помощью ключа.

Для снятия круга выполните процедуру установки в обратном порядке.

Установка или снятие гайки Ezy nut

Дополнительные принадлежности

Только для инструментов с резьбой шпинделя M14.

Установите внутренний фланец, абразивный диск и гайку Ezy nut на шпindelь так, чтобы логотип Makita на гайке Ezy nut был направлен наружу.

► Рис.18: 1. Гайка Ezy nut 2. Абразивный диск 3. Внутренний фланец 4. Шпindelь

Сильно надавите на фиксатор вала и затяните гайку Ezy nut, повернув абразивный диск по часовой стрелке до упора.

► Рис.19: 1. Фиксатор вала

Чтобы ослабить гайку Ezy nut, поверните ее внешнее кольцо против часовой стрелки.

ПРИМЕЧАНИЕ: Гайку Ezy nut можно ослабить без использования инструментов, если стрелка указывает на паз. В противном случае необходимо воспользоваться ключом для контргайки. Вставьте один зуб ключа в отверстие и поверните гайку Ezy nut против часовой стрелки.

► Рис.20: 1. Стрелка 2. Паз

► Рис.21

Установка абразивного отрезного/ алмазного диска

Дополнительные принадлежности

⚠ОСТОРОЖНО: При использовании абразивного отрезного диска/алмазного диска может применяться только специальный защитный кожух, предназначенный для отрезных дисков.

⚠ОСТОРОЖНО: ЗАПРЕЩАЕТСЯ использовать отрезной диск для шлифовки боковой поверхностью.

- **Рис.22:** 1. Контргайка 2. Абразивный отрезной диск/алмазный диск 3. Внутренний фланец 4. Защитный кожух для абразивного отрезного диска/алмазного диска

Сведения по установке см. в инструкциях к диску с утолщенным центром.

Направление установки контргайки и внутреннего фланца зависит от типа и толщины диска. Придерживайтесь следующих значений.

Для модели 100 мм (4 дюйма)

При установке абразивного отрезного диска:

- **Рис.23:** 1. Контргайка 2. Абразивный отрезной диск (тоньше 4 мм (5/32 дюйма)) 3. Абразивный отрезной диск (4 мм (5/32 дюйма) или толще) 4. Внутренний фланец

При установке алмазного диска:

- **Рис.24:** 1. Контргайка 2. Алмазный диск (тоньше 4 мм (5/32 дюйма)) 3. Алмазный диск (4 мм (5/32 дюйма) или толще) 4. Внутренний фланец

Для моделей кроме 100 мм (4 дюйма)

При установке абразивного отрезного диска:

- **Рис.25:** 1. Контргайка 2. Абразивный отрезной диск (тоньше 4 мм (5/32 дюйма)) 3. Абразивный отрезной диск (4 мм (5/32 дюйма) или толще) 4. Внутренний фланец

При установке алмазного диска:

- **Рис.26:** 1. Контргайка 2. Алмазный диск (тоньше 4 мм (5/32 дюйма)) 3. Алмазный диск (4 мм (5/32 дюйма) или толще) 4. Внутренний фланец

Установка чашечной проволочной щетки

Дополнительные принадлежности

⚠ВНИМАНИЕ: Не используйте поврежденную или разбалансированную щетку. Использование поврежденной щетки может увеличить опасность получения травм от контакта с проволокой.

Положите инструмент в перевернутом положении для облегчения доступа к шпинделю.

Снимите со шпинделя все дополнительные принадлежности. Наверните проволочную чашечную щетку на шпиндель и затяните прилагаемым ключом.

- **Рис.27:** 1. Чашечная проволочная щетка

Установка дисковой проволочной щетки

Дополнительные принадлежности

⚠ВНИМАНИЕ: Не используйте поврежденную или разбалансированную дисковую проволочную щетку. Использование поврежденной дисковой проволочной щетки может увеличить риск получения травм от контакта с проволокой.

⚠ВНИМАНИЕ: При работе с дисковой проволочной щеткой ВСЕГДА используйте защитный кожух, убедившись, что диаметр диска соответствует внутреннему диаметру кожуха. Во время работы диск может разрушиться. Защитный кожух снизит риск получения травмы.

Положите инструмент в перевернутом положении для облегчения доступа к шпинделю. Снимите со шпинделя все дополнительные принадлежности. Установите дисковую проволочную щетку на шпиндель и затяните ее с помощью ключей.

- **Рис.28:** 1. Дисковая проволочная щетка

Установка головки для вырезания отверстий

Дополнительные принадлежности

Положите инструмент в перевернутом положении для облегчения доступа к шпинделю. Снимите все насадки со шпинделя. Наверните на шпиндель головку для вырезания отверстий и затяните ее гаечным ключом из комплекта.

- **Рис.29:** 1. Головка для вырезания отверстий

Установка кожуха шлифовального диска с пылеотводом

Только для модели DGA456 / DGA506

Дополнительные принадлежности

При использовании дополнительных приспособлений данный инструмент можно использовать для шлифовки бетонных поверхностей.

⚠ВНИМАНИЕ: Защитный кожух с патрубком для удаления пыли для несоосного алмазного диска предназначен только для шлифовки бетонных поверхностей с помощью несоосного алмазного диска. Запрещено использовать этот кожух с другими приспособлениями для резки или для других целей.

⚠ВНИМАНИЕ: Перед эксплуатацией убедитесь, что пылесос подсоединен к инструменту и включен.

Положите инструмент в перевернутом положении и установите кожух диска с пылеотводом. Закрепите внутренний фланец на шпинделе. Установите алмазный чашеобразный диск на внутренний фланец и затяните контргайку на шпинделе.

- **Рис.30:** 1. Контргайка 2. Алмазный чашеобразный диск 3. Алмазный чашеобразный диск со втулкой 4. Внутренний фланец 5. Кожух шлифовального диска с пылеотводом 6. Вкладыш подшипника

ПРИМЕЧАНИЕ: Информацию по установке кожуха диска с пылеотводом см. в руководстве к кожуху диска с пылеотводом.

Установка кожуха отрезного диска с пылеотводом

Дополнительные принадлежности

Применяя дополнительные принадлежности, данный инструмент можно использовать для резки каменных материалов.

► Рис.31

ПРИМЕЧАНИЕ: Информацию по установке кожуха диска с пылеотводом см. в руководстве к кожуху диска с пылеотводом.

ЭКСПЛУАТАЦИЯ

▲ОСТОРОЖНО: Никогда не прилагайте к инструменту чрезмерные усилия. Вес инструмента обеспечивает достаточное давление. Чрезмерное усилие и давление могут привести к опасному разрушению диска.

▲ОСТОРОЖНО: ОБЯЗАТЕЛЬНО замените диск, если при шлифовании инструмент упал.

▲ОСТОРОЖНО: ЗАПРЕЩАЕТСЯ стучать и бить диском по обрабатываемой детали.

▲ОСТОРОЖНО: Избегайте подпрыгивания и зацепления диска, особенно при обработке углов, острых краев и т. д. Это может привести к потере контроля и отдаче.

▲ОСТОРОЖНО: Запрещается использовать инструмент с полотнами для обработки дерева или другими пыльными дисками. При использовании на шлифмашине такие диски часто выскакивают, выходят из-под контроля и приводят к травмам.

▲ВНИМАНИЕ: Запрещается включать инструмент, если он касается обрабатываемого изделия. Это может стать причиной травмы оператора.

▲ВНИМАНИЕ: Во время выполнения операции всегда надевайте защитные очки или защитную маску.

▲ВНИМАНИЕ: После работы всегда отключайте инструмент и дожидайтесь полной остановки диска перед тем, как положить инструмент.

▲ВНИМАНИЕ: ВСЕГДА крепко держите инструмент, положив одну руку на корпус, а вторую - на боковую ручку (рукоятку).

ПРИМЕЧАНИЕ: Диск двойного назначения может использоваться как для шлифования, так и для резки.

Информация об операциях шлифовки представлена в разделе "Шлифовка и зачистка", а информация об операциях резки – в разделе "Выполнение работ с абразивным отрезным / алмазным диском".

Шлифовка и зачистка

► Рис.32

Включите инструмент, а затем прижмите диск или круг к обрабатываемой детали. Обычно следует держать край диска или круга под углом около 15 градусов относительно поверхности обрабатываемой детали.

В период приработки нового диска не перемещайте шлифмашину вперед, поскольку диск может врезаться в обрабатываемую деталь. После того как кромка диска закруглится от использования, можно будет перемещать его в обоих направлениях (вперед и назад).

Пример использования: применение алмазного чашеобразного диска

► Рис.33

Держа инструмент горизонтально, поместите алмазный чашеобразный диск на поверхность обрабатываемой детали.

Выполнение работ с абразивным отрезным/алмазным диском

Дополнительные принадлежности

▲ОСТОРОЖНО: Не "заклинивайте" диск и не оказывайте на него чрезмерное давление. Не пытайтесь делать слишком глубокий разрез. Чрезмерное давление на диск увеличивает нагрузку и вероятность искривления или застревания диска в прорези, а также возможность отдачи, поломки диска и перегрева электродвигателя.

▲ОСТОРОЖНО: Не запускайте отрезной диск, пока он находится в детали. Дайте диску раскрутиться до максимальной скорости, а затем осторожно введите в разрез, перемещая инструмент вперед по поверхности обрабатываемой детали. Диск может застрять, отдача может отбросить его вверх или назад, если запустить электроинструмент, когда диск находится в детали.

▲ОСТОРОЖНО: Во время операций резания нельзя менять угол наклона диска. Боковое давление на отрезной диск (как при шлифовке) приводит к растрескиванию и разрушению диска, в результате чего возможны серьезные травмы.

▲ОСТОРОЖНО: Работы с алмазным диском необходимо выполнять, удерживая его перпендикулярно рабочей поверхности.

Пример использования: применение абразивного отрезного диска

► Рис.34

Пример использования: применение алмазного диска

► Рис.35

Операции с чашечной проволочной щеткой

Дополнительные принадлежности

ВНИМАНИЕ: Проверьте работу щетки, запустив инструмент на холостом ходу, предварительно убедившись, что никто не находится перед ним или на одной линии со щеткой.

ПРИМЕЧАНИЕ: Не прилагайте слишком большое давление, поскольку это может привести к изгибанию проволоки во время использования чашечной проволочной щетки. Это может стать причиной преждевременной поломки.

Пример использования: применение чашечной проволочной щетки

► Рис.36

Работа с дисковой проволочной щеткой

Дополнительные принадлежности

ВНИМАНИЕ: Проверьте работу дисковой проволочной щетки, запустив инструмент на холостом ходу и предварительно убедившись, что никто не находится перед ним или на одной линии с дисковой проволочной щеткой.

ПРИМЕЧАНИЕ: Не прилагайте слишком большое давление, так как оно может привести к тому, что проволока погнется во время использования дисковой проволочной щетки. Это может стать причиной преждевременной поломки.

Пример использования: применение дисковой проволочной щетки

► Рис.37

Работа с головкой для вырезания отверстий

Дополнительные принадлежности

ВНИМАНИЕ: Проверьте работу головки для вырезания отверстий, запустив инструмент на холостом ходу, предварительно убедившись в том, что никто не находится перед ним или на одной линии с головкой для вырезания отверстий.

ПРИМЕЧАНИЕ: Не наклоняйте инструмент во время работы. Это может привести к преждевременной поломке.

Пример использования: применение головки для вырезания отверстий

► Рис.38

ОБСЛУЖИВАНИЕ

ВНИМАНИЕ: Перед проведением проверки или работ по техобслуживанию всегда проверяйте, что инструмент выключен, а блок аккумулятора снят.

ПРИМЕЧАНИЕ: Запрещается использовать бензин, растворители, спирт и другие подобные жидкости. Это может привести к обезжириванию, деформации и трещинам.

Для обеспечения БЕЗОПАСНОСТИ и НАДЕЖНОСТИ оборудования ремонт, любое другое техобслуживание или регулировку необходимо производить в уполномоченных сервис-центрах Makita или сервис-центрах предприятия с использованием только сменных частей производства Makita.

Очистка вентиляционного отверстия

Инструмент и его вентиляционные отверстия должны содержаться в чистоте. Производите регулярную очистку вентиляционных отверстий инструмента или очищайте их в случае засорения.

► Рис.39: 1. Вытяжное отверстие 2. Впускное вентиляционное отверстие

Снимите пылезащитную крышку с впускного вентиляционного отверстия и очистите ее, чтобы обеспечить свободное прохождение воздуха.

► Рис.40: 1. Пылезащитный кожух

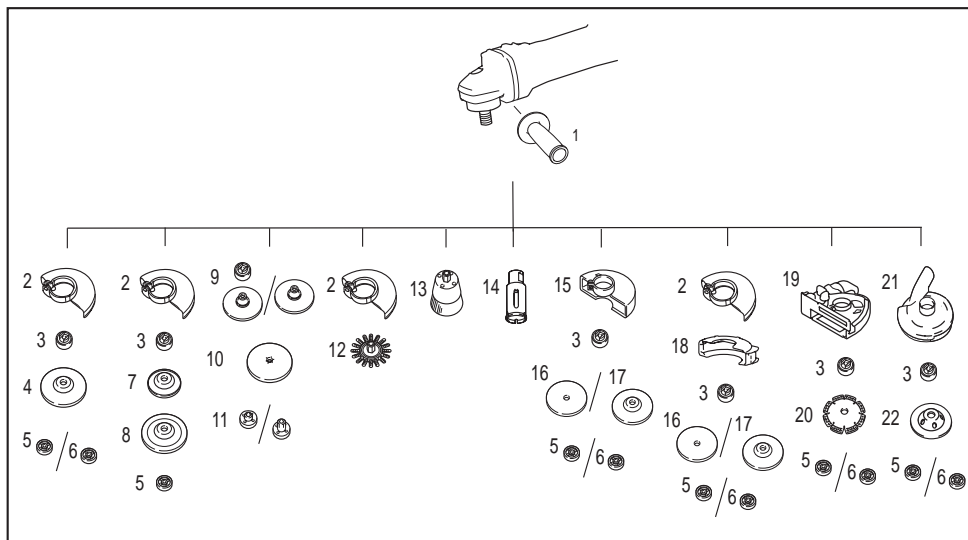
ПРИМЕЧАНИЕ: При засорении пылезащитного кожуха пылью или посторонними веществами очистите его. Продолжение эксплуатации с засоренным пылезащитным кожухом приведет к повреждению инструмента.

СОЧЕТАНИЕ СФЕР ПРИМЕНЕНИЯ И ПРИНАДЛЕЖНОСТЕЙ

Дополнительные принадлежности

▲ВНИМАНИЕ: Использование инструмента с неправильно подобранными кожухами может привести к возникновению следующих рисков.

- При использовании кожуха отрезного диска для поверхностного шлифования кожух диска может цепляться за обрабатываемую деталь, ухудшая контроль над инструментом.
- При использовании кожуха шлифовального диска для операций резки с шлифовальными кругами с абразивом на связке и алмазными кругами существует повышенный риск соприкосновения с вращающимися кругами, а также попадания разлетающихся искр и частиц или фрагментов круга в случае его разрыва.
- При использовании кожуха отрезного диска или кожуха шлифовального диска для поверхностных операций с алмазными чашеобразными дисками кожух диска может цепляться за обрабатываемую деталь, ухудшая контроль над инструментом.
- При использовании кожуха отрезного диска или кожуха шлифовального диска с проволочной щеткой дискового типа толщиной, превышающей максимальное значение, указанное в разделе "ТЕХНИЧЕСКИЕ ХАРАКТЕРИСТИКИ", проволока может цепляться за кожух, что приводит к ее разламыванию.
- Использование кожухов с пылеотводом для дисков, применяемых в целях резки и поверхностной обработки бетона или камня, снижает риск попадания пыли на оператора.
- При использовании дисков двойного назначения (с комбинированным абразивом для шлифования и резки) с фланцевым креплением используйте только кожух для отрезного диска.



-	Сфера применения	Модель 100 мм	Модель 115 мм	Модель 125 мм
1	-	Боковая ручка		
2	-	Кожух диска (для шлифовального диска)		
3	-	Внутренний фланец		
4	Шлифование / обработка наждачной бумагой	Диск с утопленным центром/откидной круг		
5	-	Контргайка		
6	-	-	Гайка Ezynut *1	
7	-	Вспомогательная подушка		
8	Шлифование	Гибкий диск		

-	Сфера применения	Модель 100 мм	Модель 115 мм	Модель 125 мм
9	-	Внутренний фланец и резиновая подушка 76	Резиновая подушка 100	Резиновая подушка 115
10	Обработка наждачной бумагой	Абразивный круг		
11	-	Шлифовальная контргайка		
12	Очистка проволочной щеткой	Дисковая проволочная щетка		
13	Очистка проволочной щеткой	Чашечная проволочная щетка		
14	Вырезание отверстий	Головка для вырезания отверстий		
15	-	Кожух диска (для отрезного диска)		
16	Резка	Абразивный отрезной диск / алмазный диск		
17	Шлифование / резка	Диск двойного назначения		
18	-	Пристегивная насадка на кожух отрезного диска *2		
19	-	Кожух с пылеотводом для отрезного диска *3		
20	Резка	Алмазный диск		
21	-	-	Кожух с пылеотводом для шлифовального диска *4	
22	Шлифование	-	Алмазный чашеобразный диск *4	
-	-	Ключ контргайки		

ПРИМЕЧАНИЕ: *1 Только для инструментов с резьбой шпинделя M14.

ПРИМЕЧАНИЕ: *2 В некоторых странах пристегивная насадка на кожух отрезного диска не предлагается. Более подробную информацию см. в руководстве по эксплуатации пристегивной насадки на кожух отрезного диска.

ПРИМЕЧАНИЕ: *3 Подробнее см. в инструкции по эксплуатации каждого кожуха.

ПРИМЕЧАНИЕ: *4 Только для модели DGA456 / DGA506

Подробнее см. в инструкции по эксплуатации каждого кожуха.

ДОПОЛНИТЕЛЬНЫЕ ПРИНАДЛЕЖНОСТИ

⚠ ВНИМАНИЕ: Данные принадлежности или приспособления рекомендуются для использования с инструментом Makita, указанным в настоящем руководстве. Использование других принадлежностей или приспособлений может привести к получению травмы. Используйте принадлежность или приспособление только по указанному назначению.

Если вам необходимо содействие в получении дополнительной информации по этим принадлежностям, свяжитесь с вашим сервис-центром Makita.

- Оригинальный аккумулятор и зарядное устройство Makita
- Список принадлежностей приведен в разделе "СОЧЕТАНИЕ СФЕР ПРИМЕНЕНИЯ И ПРИНАДЛЕЖНОСТЕЙ"

ПРИМЕЧАНИЕ: Некоторые элементы списка могут входить в комплект инструмента в качестве стандартных приспособлений. Они могут отличаться в зависимости от страны.

Makita Europe N.V. Jan-Baptist Vinkstraat 2,
3070 Kortenberg, Belgium

Makita Corporation 3-11-8, Sumiyoshi-cho,
Anjo, Aichi 446-8502 Japan

www.makita.com

885470C963 EN, SL, SQ, BG, HR, MK, SR, RO, UK, RU 20221006
--